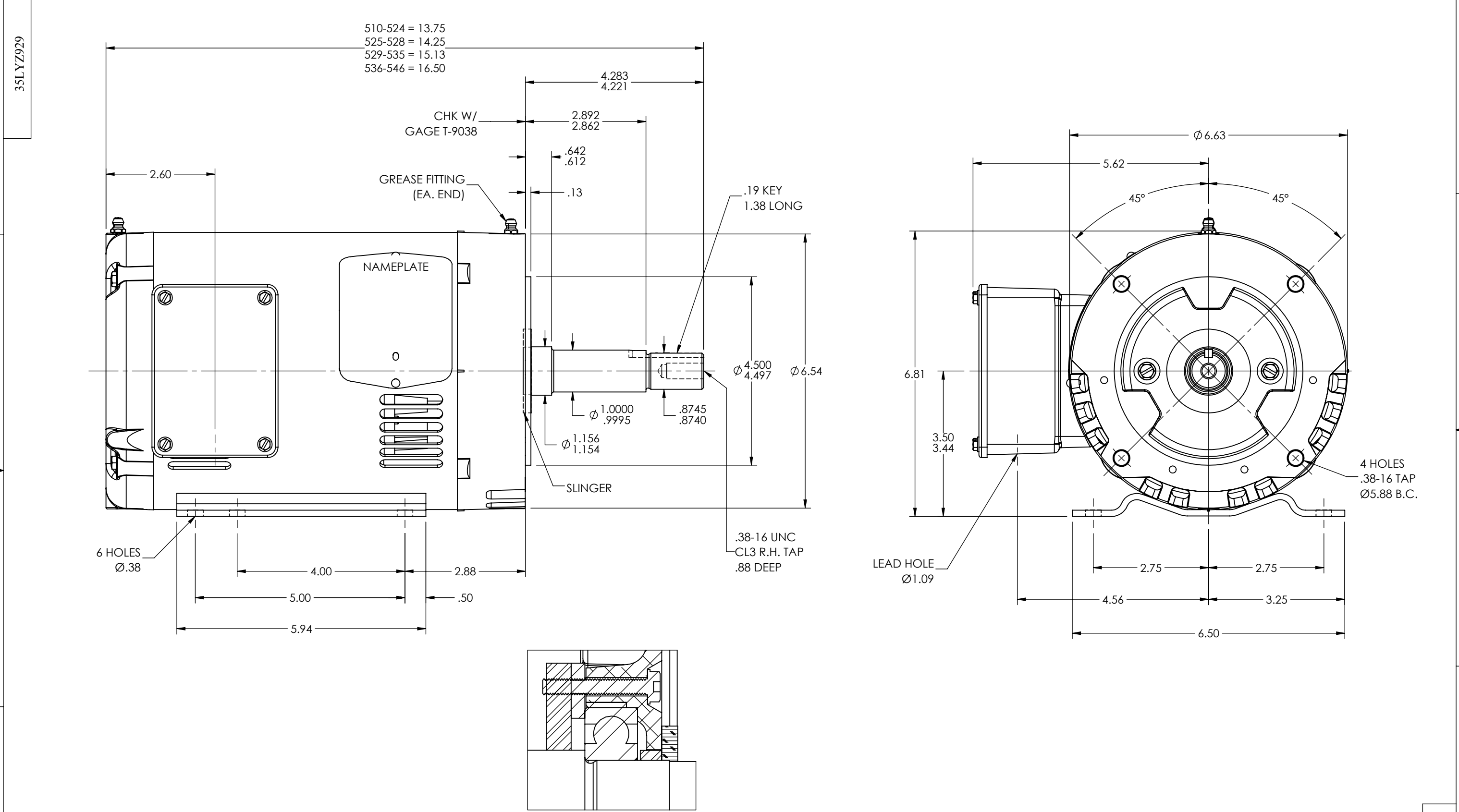


8 7 6 5 4 3 2 1



A

CUSTOMER IS RESPONSIBLE FOR DETERMINING THAT THE PRODUCT WILL PERFORM SUITABLY IN THE INTENDED APPLICATION

REV. DESC: LOADING OF SWD DWG FOR 2D TO 3D CONVERSION - PKG13			
REV: B	VERSION: 02	REVISED: 03:31:19 12/19/2018	TDR: 000001094435
MODEL NO. 35LYZ929		REF: -	
BY: ENALEM0		B	

BALDOR - RELIANCE®

HOR 143-5JM OPSB AEGIS INT GRD, SCREENS
SH 1 of 1

8 7 6 5 4 3 2 1

35LYZ929