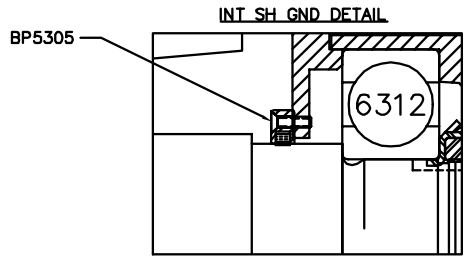
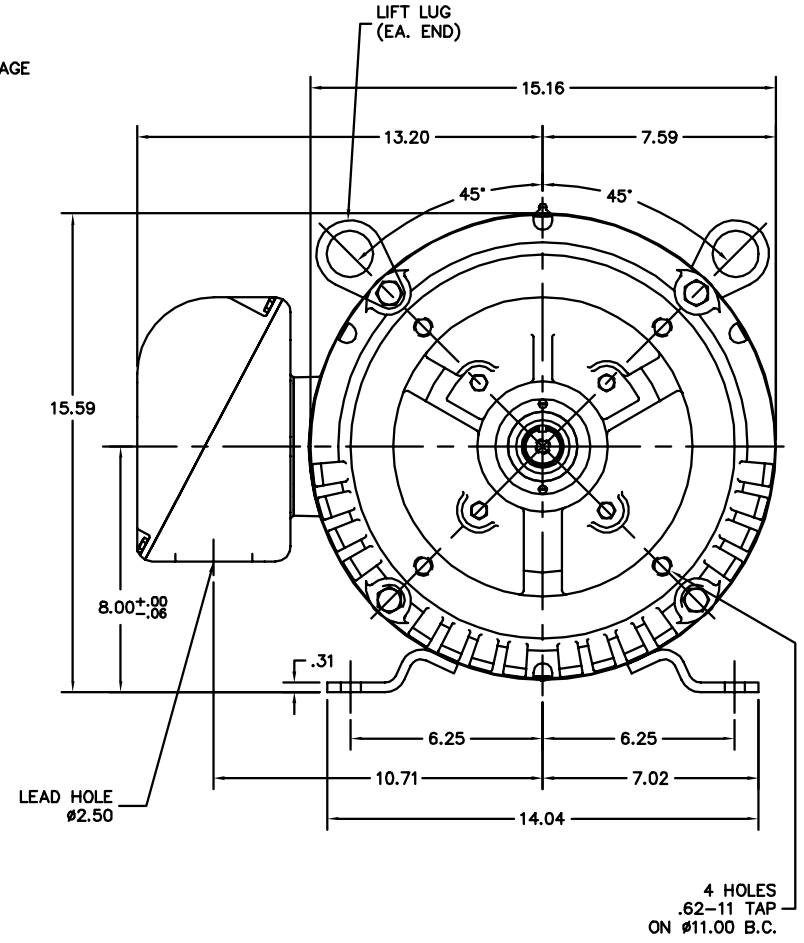
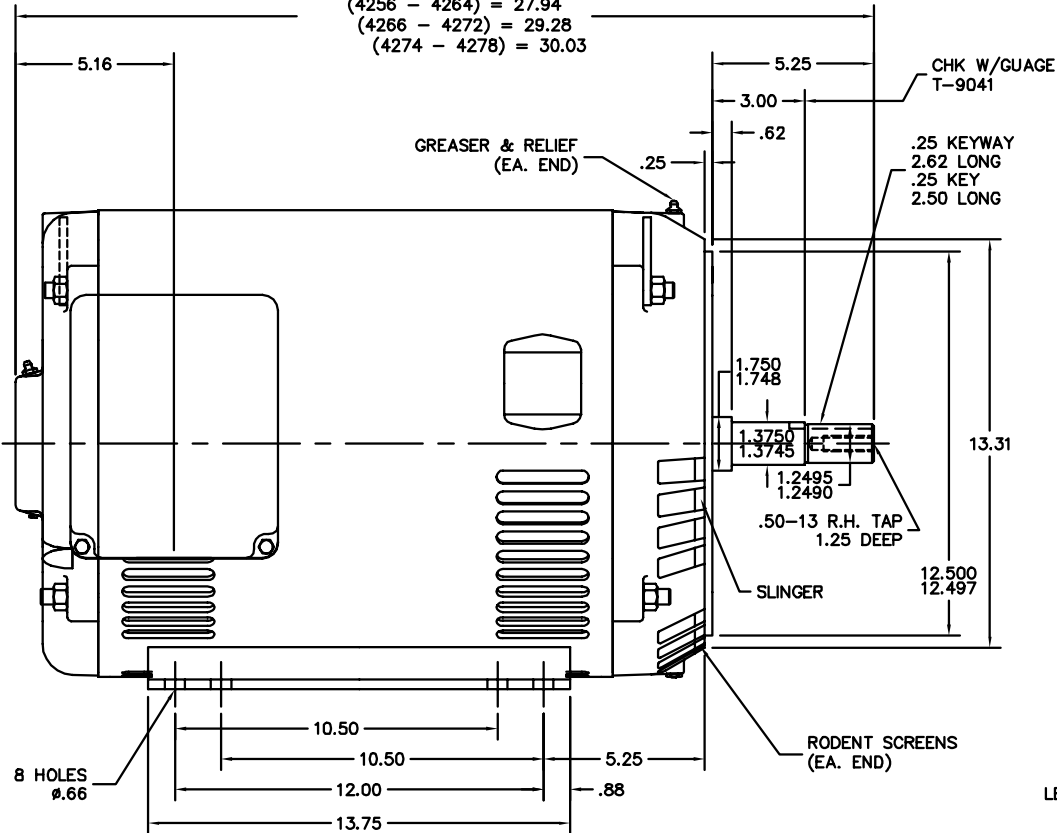


(4232 - 4254) = 27.28  
 (4256 - 4264) = 27.94  
 (4266 - 4272) = 29.28  
 (4274 - 4278) = 30.03



CUSTOMER IS RESPONSIBLE FOR DETERMINING THAT BALDOR'S PRODUCT WILL PERFORM SUITABLY IN THE INTENDED APPLICATION.

REV. DESC: NEW	VERSION: 00	TDR: 00000979854
REV. LTR: -	REVISED: 01:50:02 05/23/2016	BY: ENKENHO
FILE: \AAA\00227\144		
MTL: -		

**BALDOR**

HOR OPSB 324-6JM W/AEGIS SH GND & RODENT SCRNS

SH 1 of 1