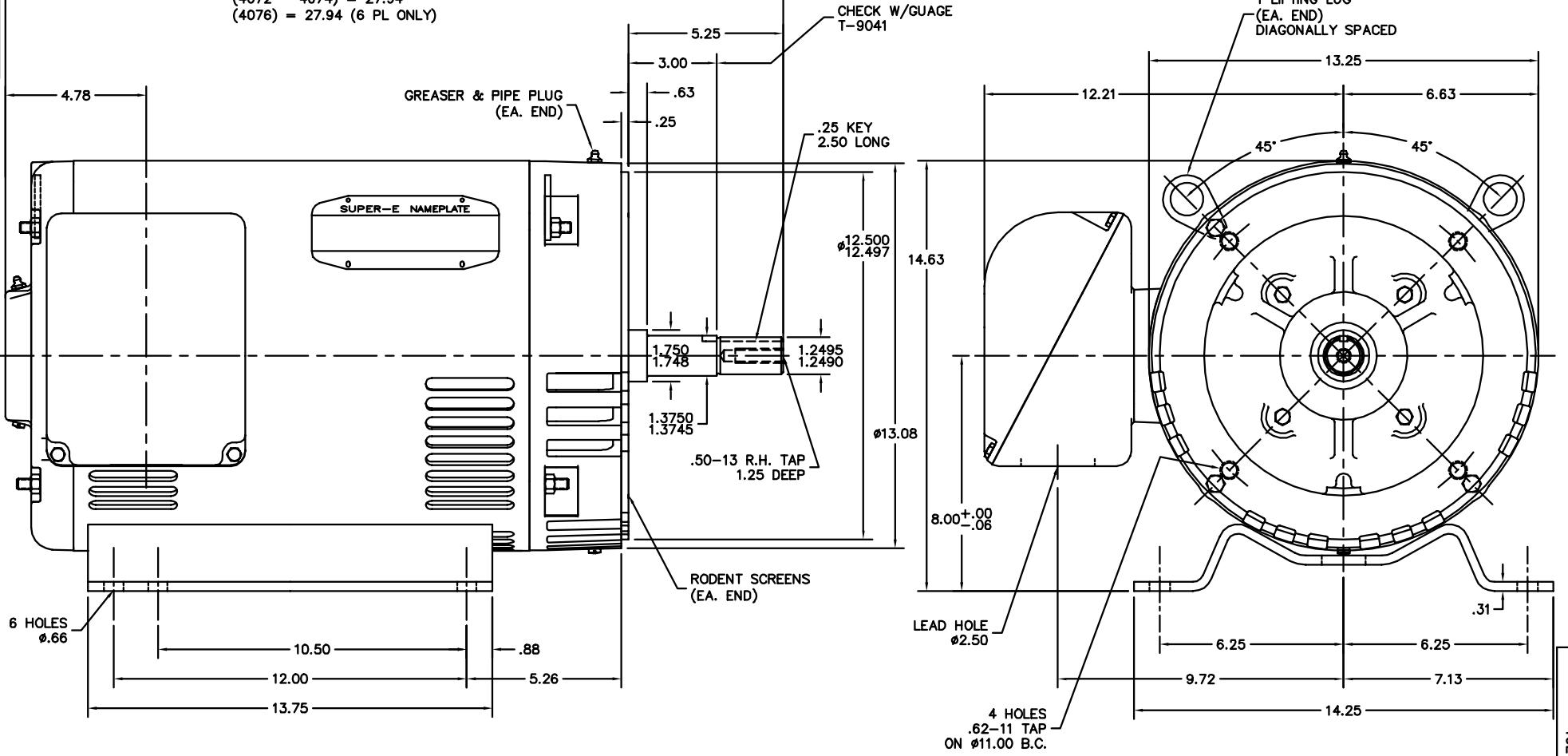


(4034 - 4056) = 26.44
 (4058 - 4070) = 27.44
 (4072 - 4074) = 27.94
 (4076) = 27.94 (6 PL ONLY)



CUSTOMER IS RESPONSIBLE FOR DETERMINING THAT BALDOR'S PRODUCT WILL PERFORM SUITABLY IN THE INTENDED APPLICATION.

| | | |
|-------------------------|------------------------------|-------------------|
| REV. DESC: CHANGE C-DIM | VERSION: 04 | TDR: 000000821994 |
| REV. LTR: D | REVISED: 11:41:17 10/11/2013 | BY: ENKANVO |
| FILE: \AAA\00163\892 | | |
| MTL: - | | |

BALDOR

HORZ OPSB 324-6JM W/RODENT SCREENS, SUPER-E
 SH 1 of 1