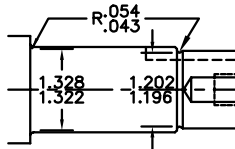
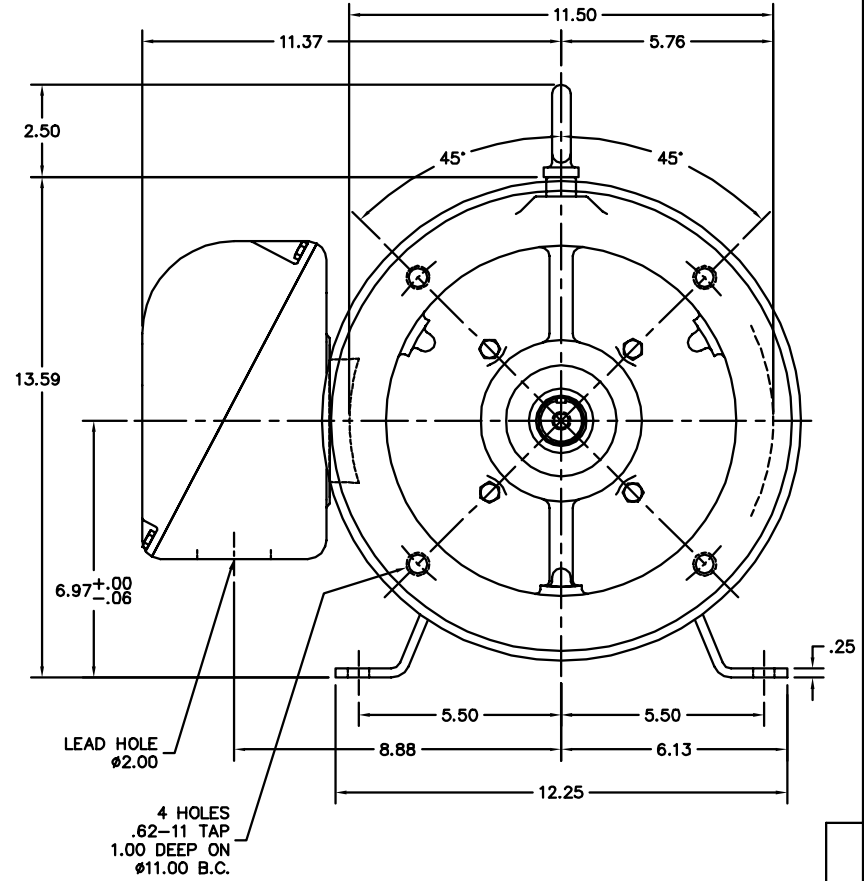
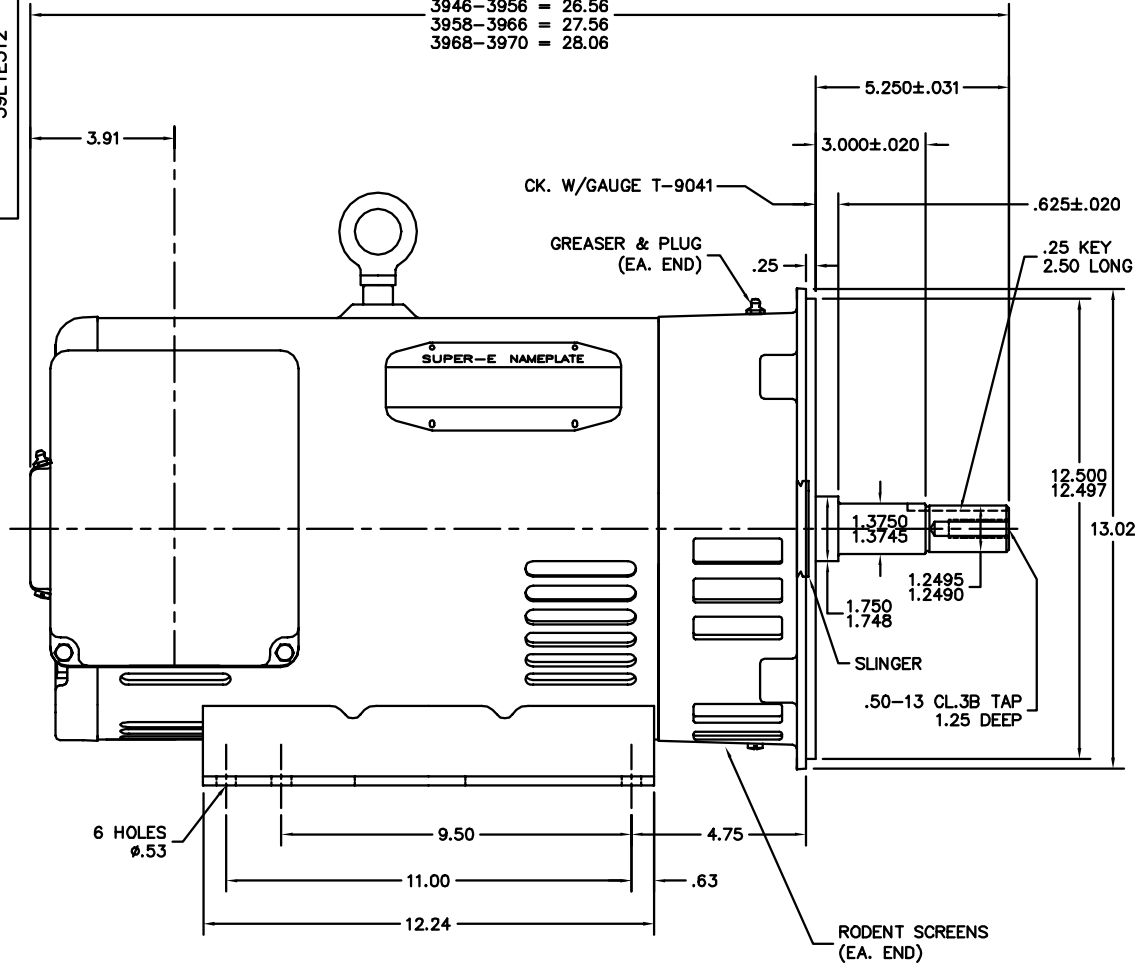


39LYE312

3920-3944 = 25.06
3946-3956 = 26.56
3958-3966 = 27.56
3968-3970 = 28.06



UNDERCUT DETAIL

CUSTOMER IS RESPONSIBLE FOR DETERMINING THAT BALDOR'S PRODUCT WILL PERFORM SUITABLY IN THE INTENDED APPLICATION.

REV. DESC: CHG PUEP 39EP1404A07 TO 39EP1404A10		
REV. LTR: D	VERSION: 04	TDR: 000001014103
FILE: \AAA\00164\335	REVISED: 11:13:08 02/07/2017	BY: USODDL
MTL: -		

BALDOR

HORZ OPSB 284-6JM W/312 BRG & RODENT SCREENS, SUPER-E

SH 1 of 1

39LYE312