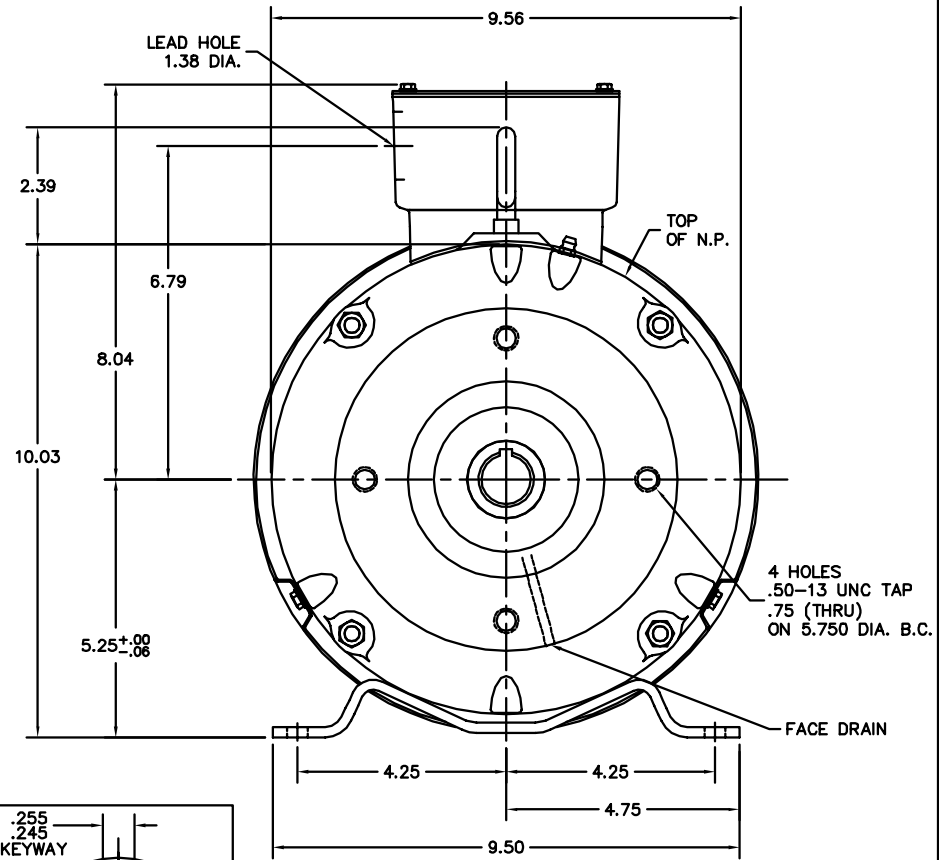
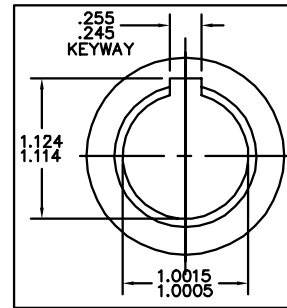


PULLEY END DETAIL



CUSTOMER IS RESPONSIBLE FOR DETERMINING THAT BALDOR'S PRODUCT WILL PERFORM SUITABLY IN THE INTENDED APPLICATION.

REV. DESC: UPDATE SHAFT GRAPHICS FOR INTERNAL GROOVE		
REV. LTR: B	VERSION: 02	TDR: 00000984621
FILE: \AAA\00130\428	REVISED: 10:30:32 06/15/2016	BY: ENALEMO
MTL: -		

BALDOR

HORZ 213-5TYZ TEFC M F3 W/SAE B-B PUMP MTG & EPACT SHOVE

SH 1 of 1