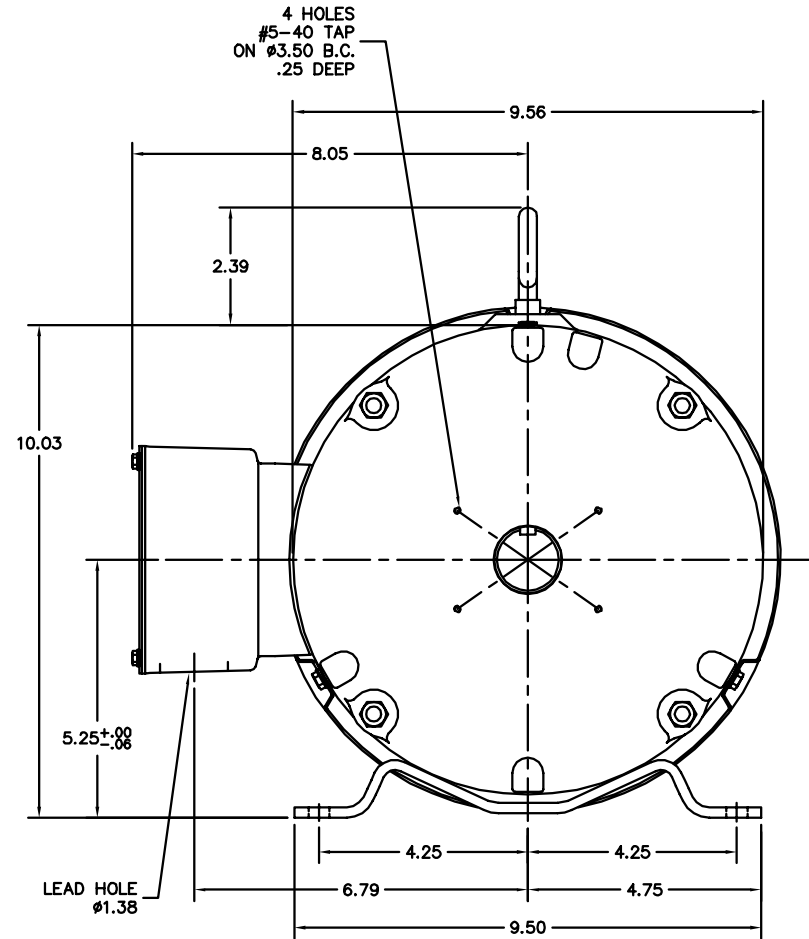
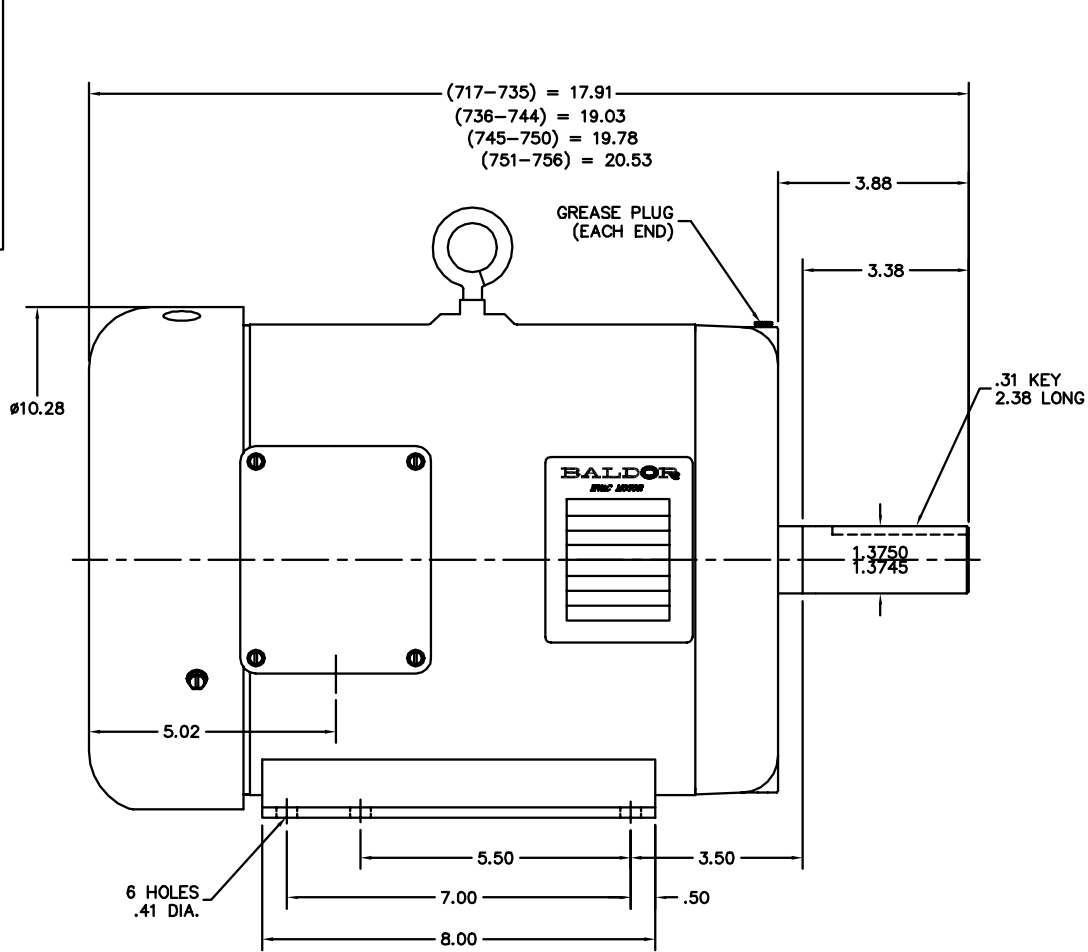


37LYJ543



CUSTOMER IS RESPONSIBLE FOR DETERMINING THAT BALDOR'S PRODUCT WILL PERFORM SUITABLY IN THE INTENDED APPLICATION.

REV. DESC: UPDATE GRAPHICS FOR PUEP TO SHOW 4 HOLES FOR AEGIS		
REV. LTR: B	VERSION: 02	TDR: 000001056242
FILE: \AAA\00124\225	REVISED: 02:55:26 01/15/2018	BY: ENALEMO
MTL: -		

**BALDOR**

HOR 213-5T TEFC M W/ EPACT SHOVE, GREASE PLUGS, AEGIS SH GND

SH 1 of 1

37LYJ543