

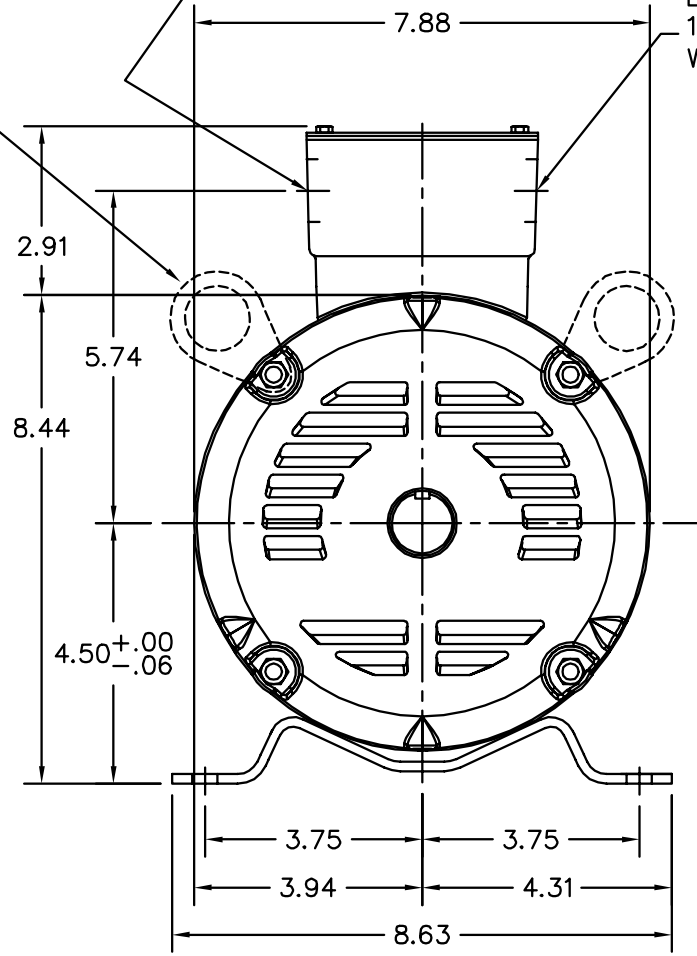
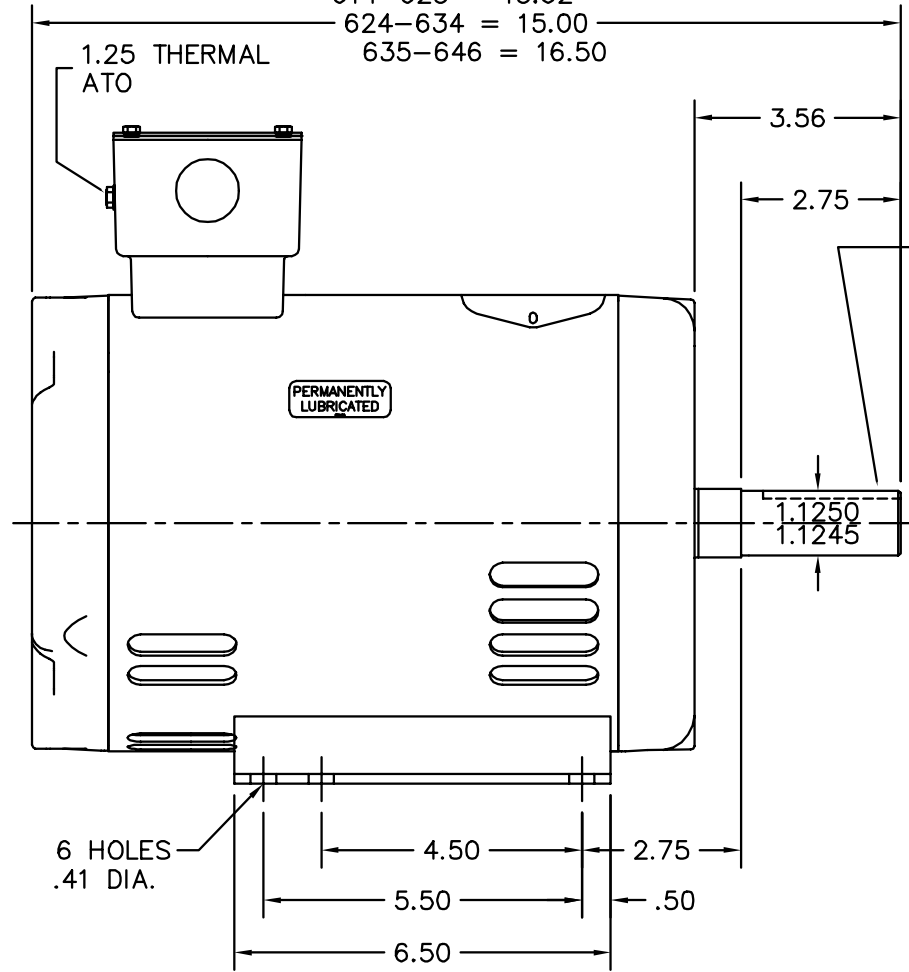
36LYH650

1 LUG EA. END  
DIAGONALLY SPACED  
(635-646) STACKS ONLY

LEAD HOLE  
1.09 DIA

LEAD HOLE  
1.09 DIA  
W/ PLUG

614-623 = 13.62  
624-634 = 15.00  
635-646 = 16.50



CUSTOMER IS RESPONSIBLE FOR DETERMINING THAT BALDOR'S PRODUCT WILL PERFORM SUITABLY IN THE INTENDED APPLICATION.

REV. DESC: CHANGE FREP: WAS 36EP3200A02 NOW 36EP3204A00		
REV. LTR: C	VERSION: 02	TDR: 000001105724
FILE: \AAA\00035\730	REVISED: 10:02:26 04/15/2019	BY: FGCHAH1
MTL: -	◎ ◻	

**BALDOR - RELIANCE®**

HORZ 182-4T OPSB 36M W/ATO IN KOBX, & NP @ 12:00

SH 1 of 1

36LYH650