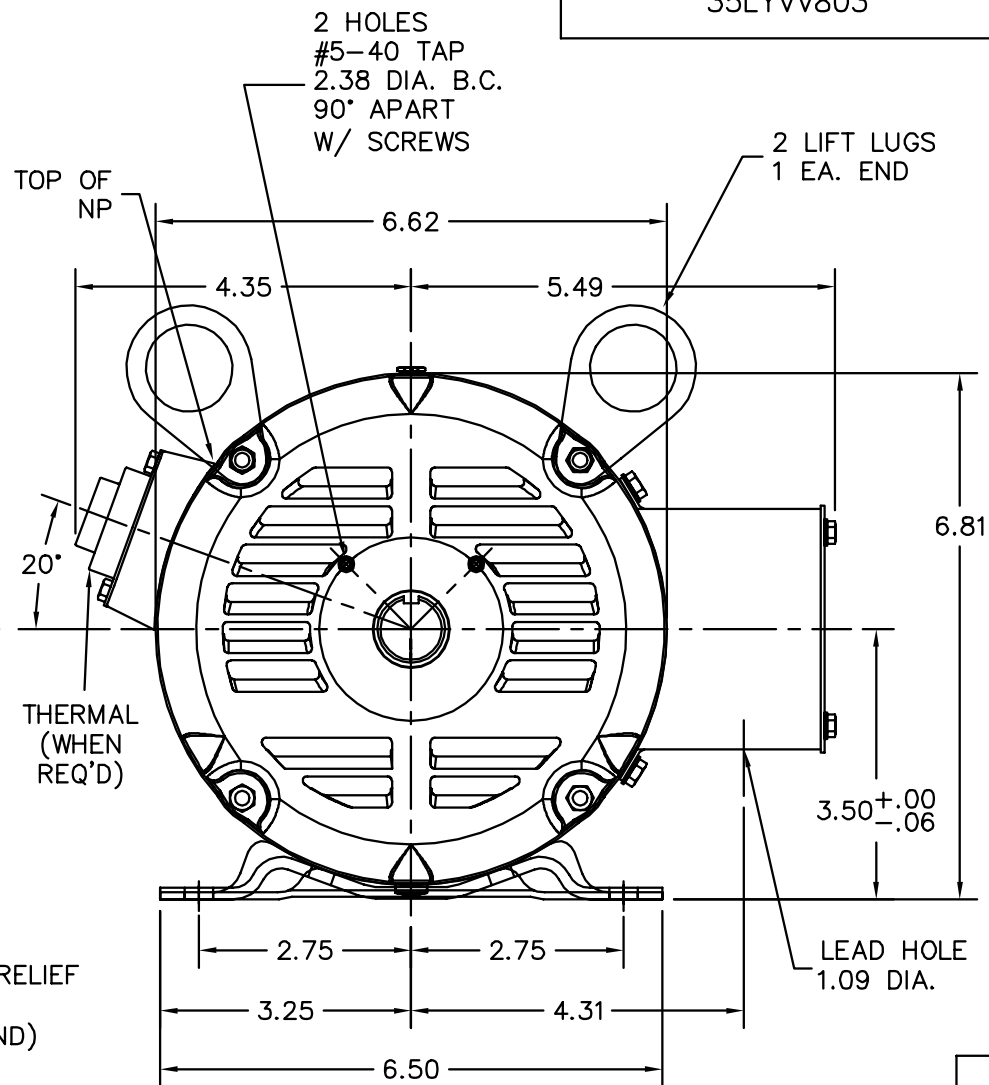
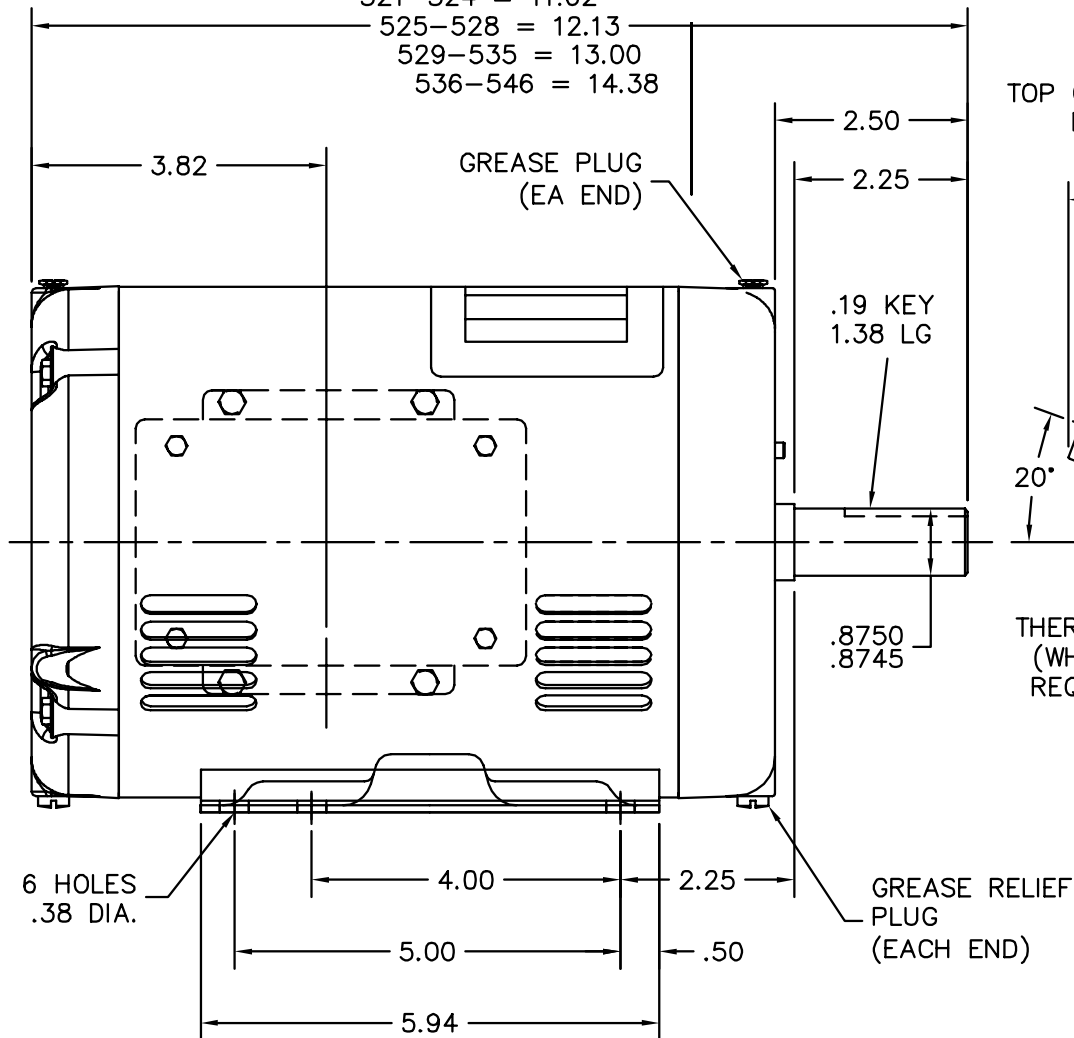


35LYVV803

510-520 = 11.12
521-524 = 11.62
525-528 = 12.13
529-535 = 13.00
536-546 = 14.38



CUSTOMER IS RESPONSIBLE FOR DETERMINING THAT BALDOR'S PRODUCT WILL PERFORM SUITABLY IN THE INTENDED APPLICATION.

REV. DESC: REPLACE ENDPLATES

REV. LTR: C

VERSION: 03

TDR: 000001041474

FILE: \AAA\00176\627

REVISED: 12: 45: 43 09/05/2017

BY: USJOBUR22

MTL: -



BALDOR

HORZ 143-5T OPSB M F2 (HVAC) GREASE PLUGS W/1.09 LH, AEGIS SR

SH 1 of 1

35LYVV803