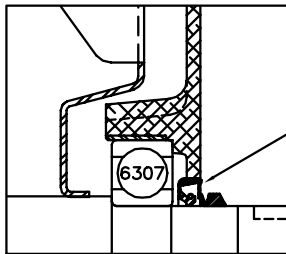
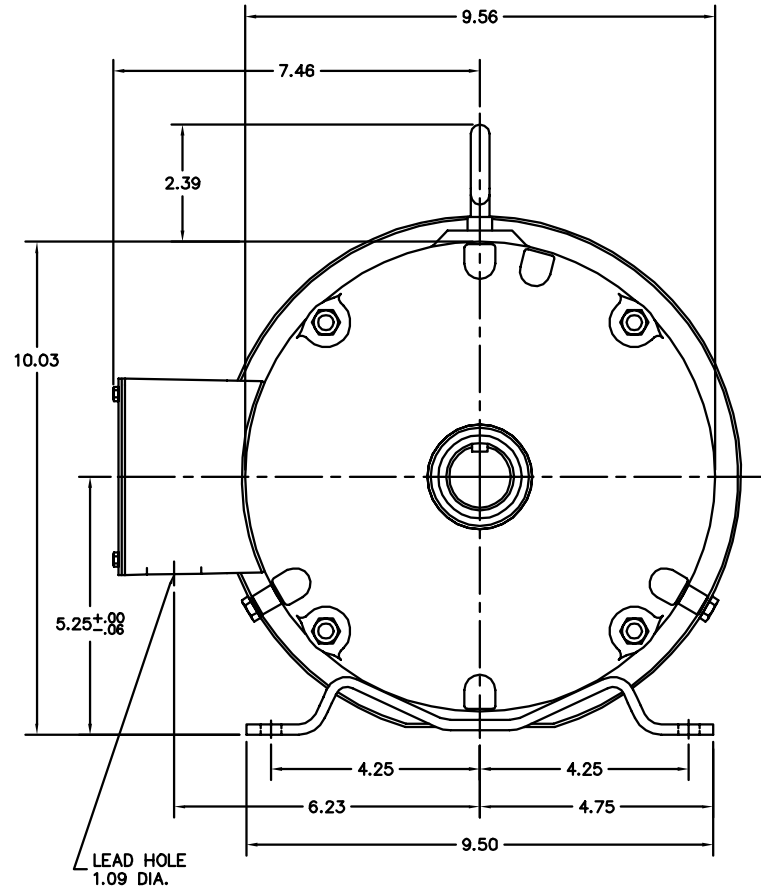
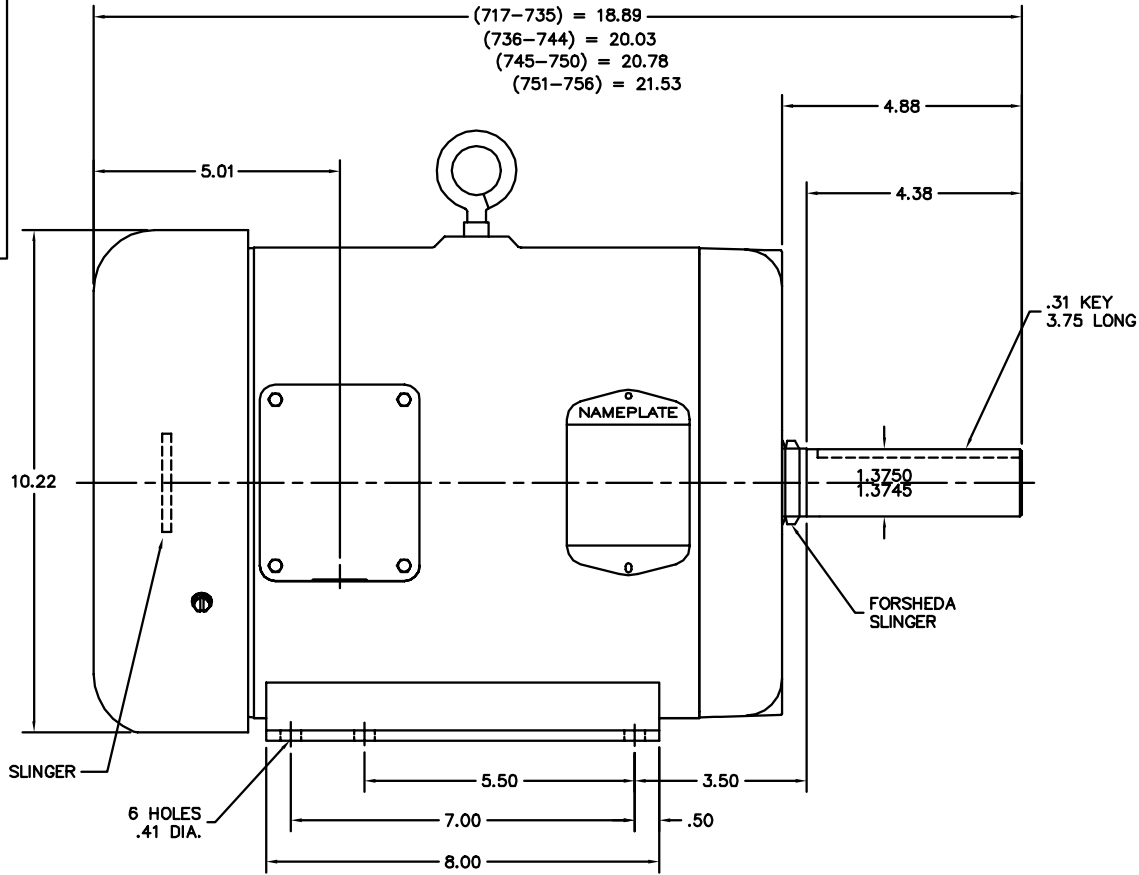


37LYN390



APPLY COAT OF SEALER TO HOUSING BEFORE PRESSING IN SEAL

PULLEY END DETAIL

FARM DUTY

CUSTOMER IS RESPONSIBLE FOR DETERMINING THAT BALDOR'S PRODUCT WILL PERFORM SUITABLY IN THE INTENDED APPLICATION.

REV. DESC: ADD FLAT SLINGER TO ODE		
REV. LTR: B	VERSION: 02	TDR: 00000895724
FILE: \AAA\00206\041	REVISED: 01:36:03 03/10/2015	BY: ENKANVO
MTL: 1.625 DIA C.R.STEEL		

<b>BALDOR</b>	
HOR 213-5TZ TEFC M V=4.38, ENMILLED KYWY, SEAL PUEND, FARM DTY	
SH 1 of 1	

37LYN390