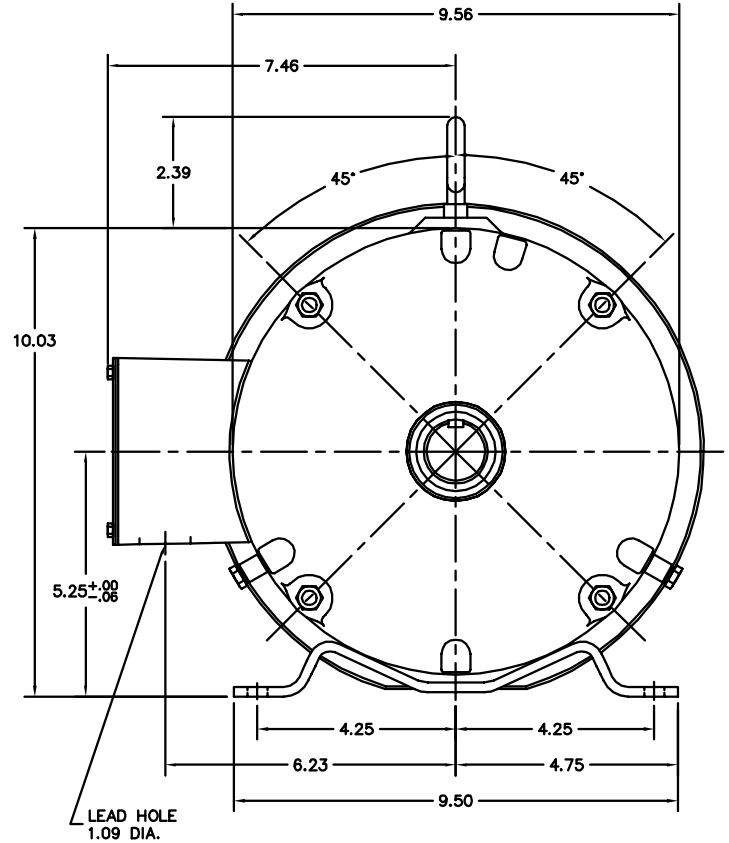


PULLEY END DETAIL

APPLY COAT OF SEALER TO HOUSING BEFORE PRESSING IN SEAL



CUSTOMER IS RESPONSIBLE FOR DETERMINING THAT BALDOR'S PRODUCT WILL PERFORM SUITABLY IN THE INTENDED APPLICATION.

REV. DESC: REMOVE GRSR GRAPHICS & FARM DUTY TEXT PER KILGORE		
REV. LTR: B	VERSION: 02	TDR: 000000926800
FILE: \AAA\00205\914	REVISED: 08:37:55 06/09/2015	BY: ENSHARO
MTL: -		

BALDOR

HOR 213-5TZ TEFC 37M V=4.38, SEAL PU END, SLD BRGS

SH 1 of 1