

# DUTY MASTER ALTERNATING CURRENT MOTORS

SQUIRREL-CAGE INDUCTION

CAST IRON CONSTRUCTION

FRAMES E364T/E365T

ENCLOSURE: TOTALLY ENCLOSED

MOUNTING: FOOT/F1

COOLING: FAN COOLED

617428-078

D

D

C

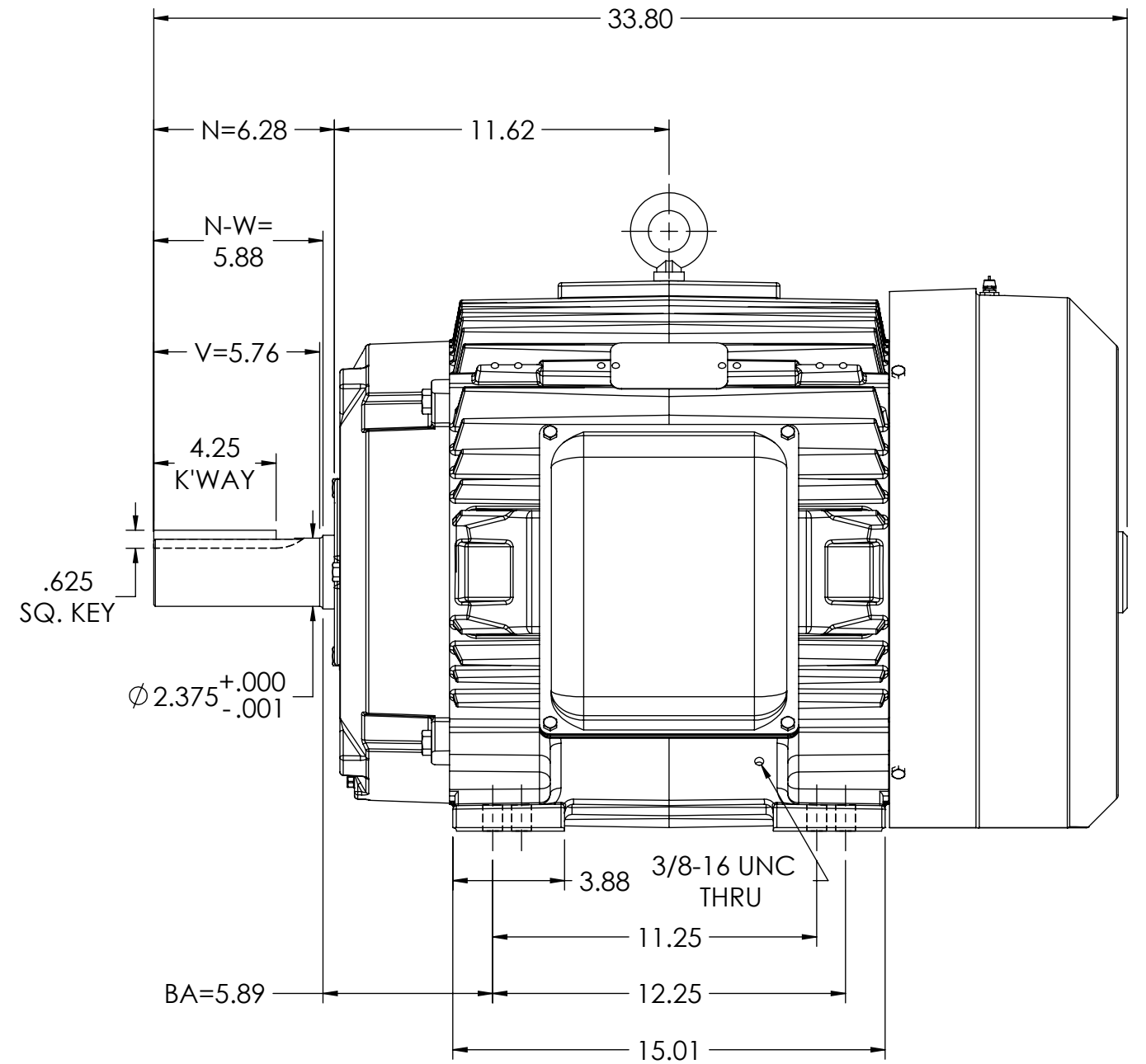
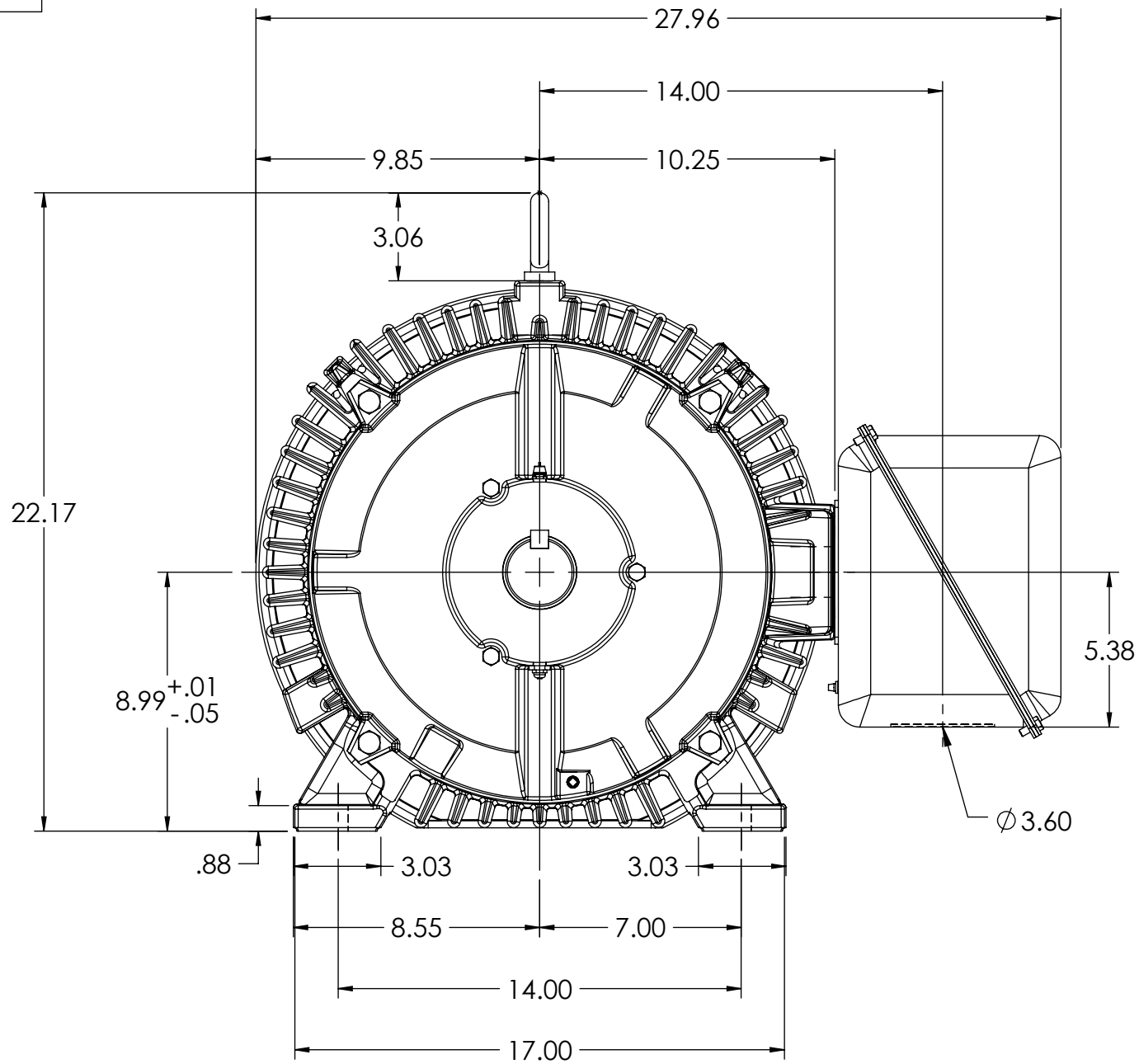
C

B

B

A

A



WEIGHT (LBS): 840, MOTOR WEIGHTS MAY VARY BY 15% DEPENDING UPON RATING.  
 MAXIMUM PERMISSIBLE SHAFT RUNOUT WHEN MEASURED AT END OF STD. SHAFT EXTENSION IS .003 T.I.R.  
 CUSTOMER IS RESPONSIBLE FOR DETERMINING THAT BALDOR'S PRODUCT WILL PERFORM SUITABLY IN THE INTENDED APPLICATION.

REV. DESC: UPDATE DS QUALITY			
REV: A	VERSION: 01	REVISED: 02:55:52 11/15/2018	TDR: 000001091350
MODEL NO. 617428-078			REF:
BY: USJEDIL			<b>B</b>

## BALDOR

E365/364T TEFC FOOT F2 STEEL CONDUIT BOX

617428-078

8

7

6

5

4

3

2

1