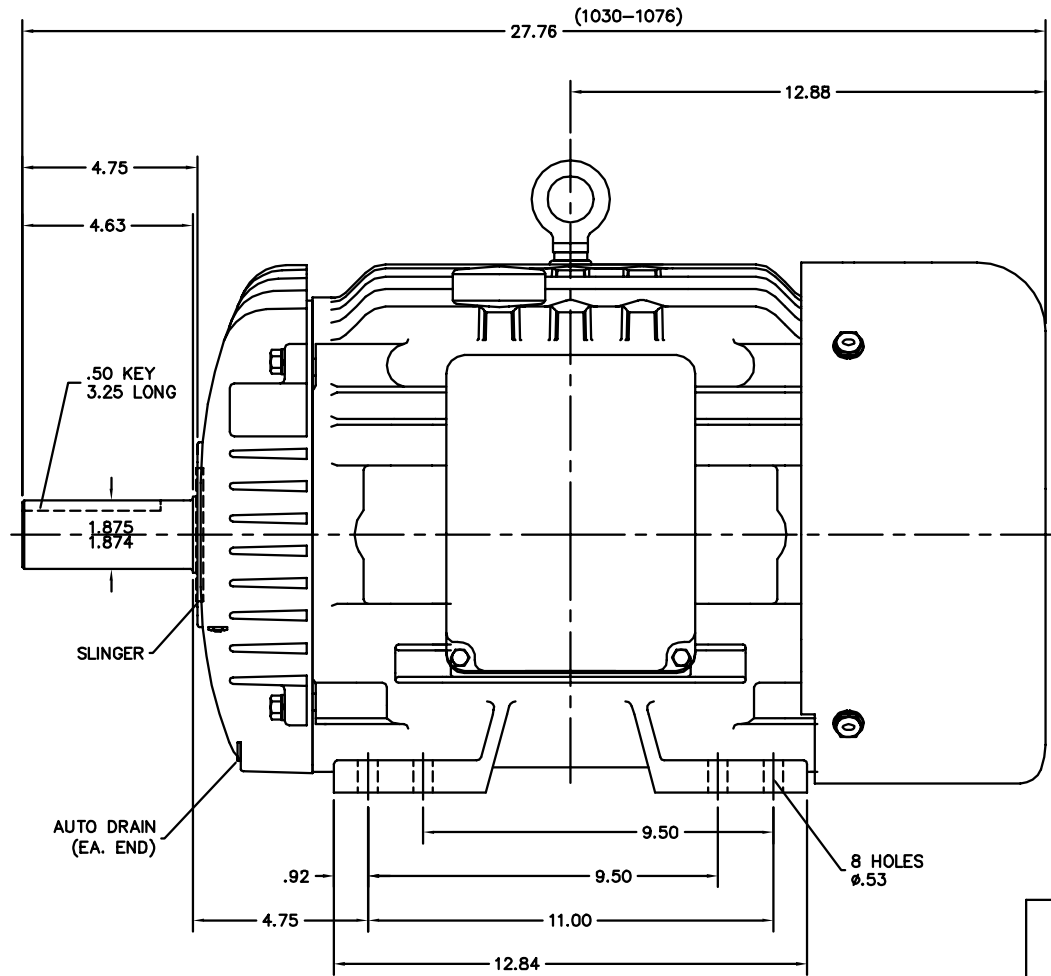
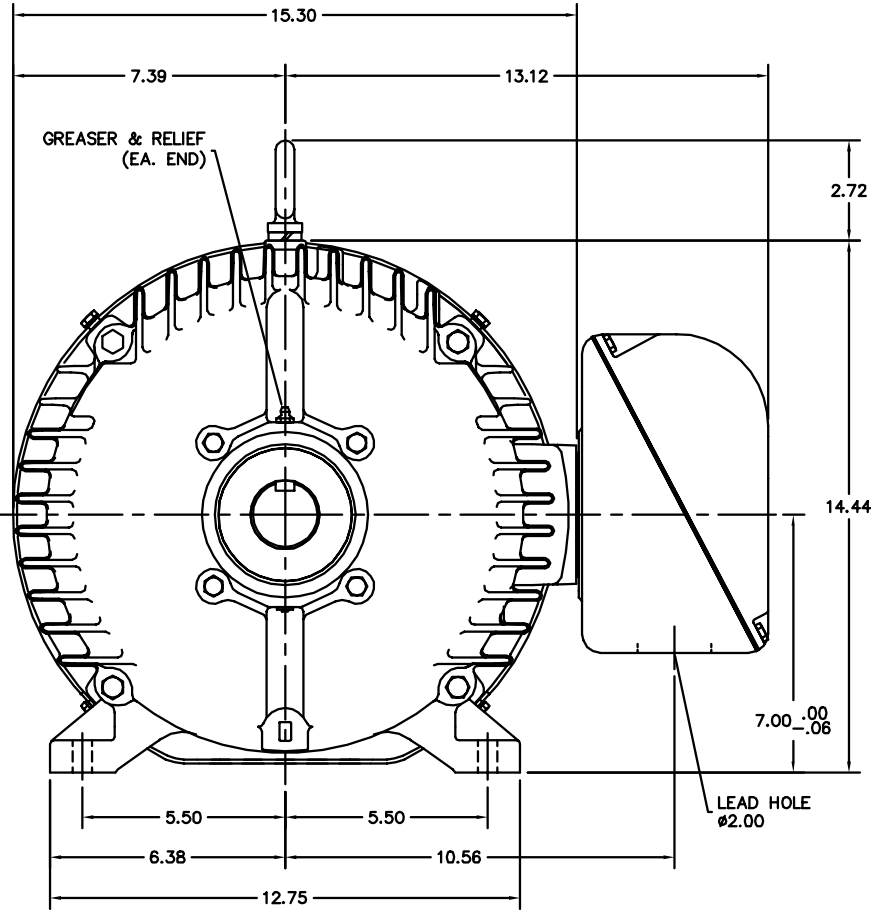


10LYC156



CUSTOMER IS RESPONSIBLE FOR DETERMINING THAT BALDOR'S PRODUCT WILL PERFORM SUITABLY IN THE INTENDED APPLICATION.

REV. DESC: REMOVE LOCKNUT	VERSION: 05	TDR: 00000952817
REV. LTR: F	REVISED: 02:59:44 11/10/2015	BY: ENMARSO
FILE: \AAA\00016\937		
MTL: -		

BALDOR

HORZ TEFC 284-6T F2

SH 1 of 1

10LYC156