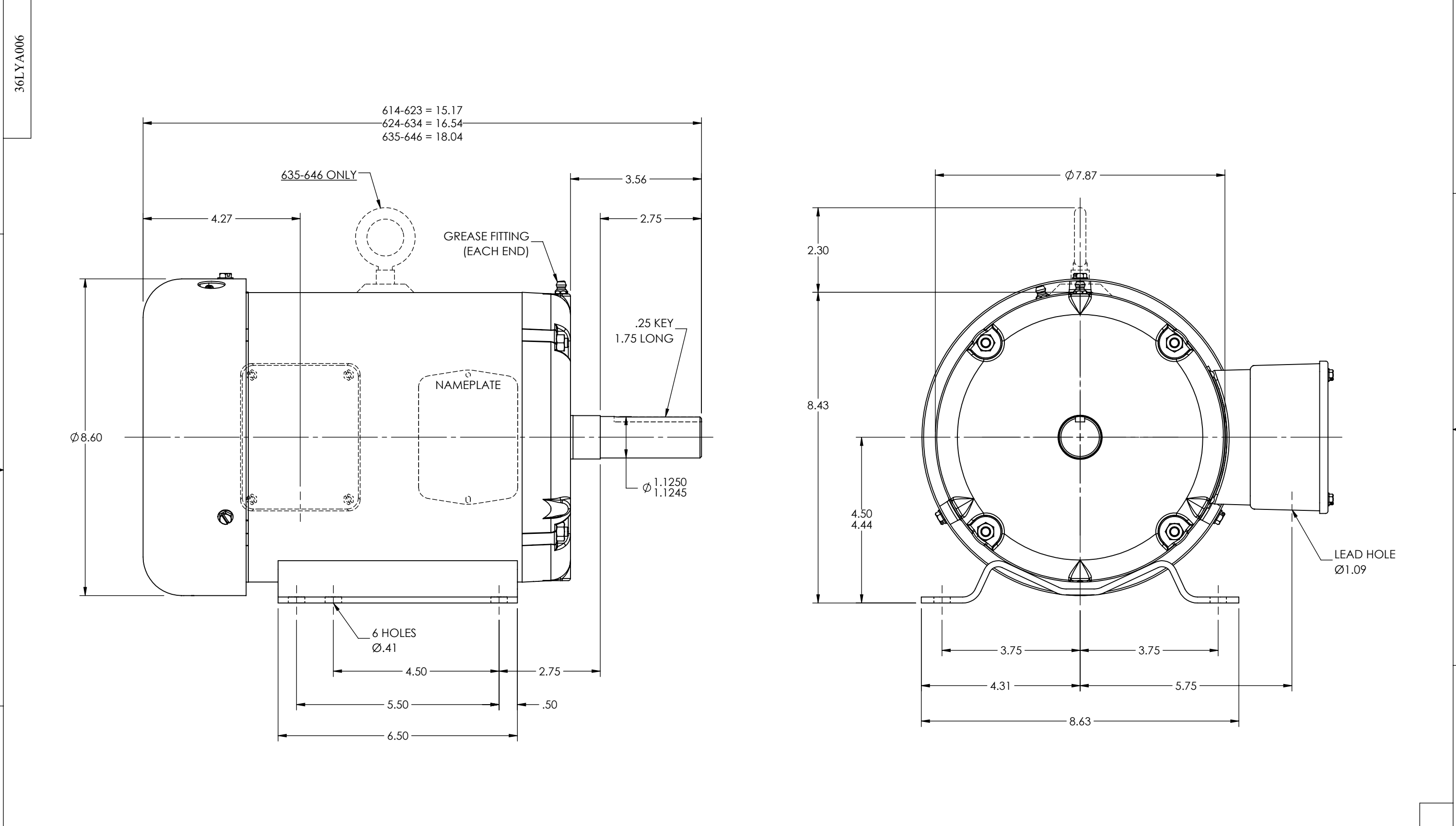


8 7 6 5 4 3 2 1



CUSTOMER IS RESPONSIBLE FOR DETERMINING THAT THE PRODUCT WILL PERFORM SUITABLY IN THE INTENDED APPLICATION

REV. DESC: LOAD INOPC CREATED SWD DRG INTO BUS - PACKAGE 37				BALDOR - RELIANCE®
REV: J	VERSION: 04	REVISED: 05:04:55 09/18/2019	TDR: 000001120280	
MODEL NO. 36LYA006			REF: -	
BY: ENSTEK0				
STD HORZ 182-4T TEFC 36M F-2 MTG				

8 7 6 5 4 3 2 1

36LYA006