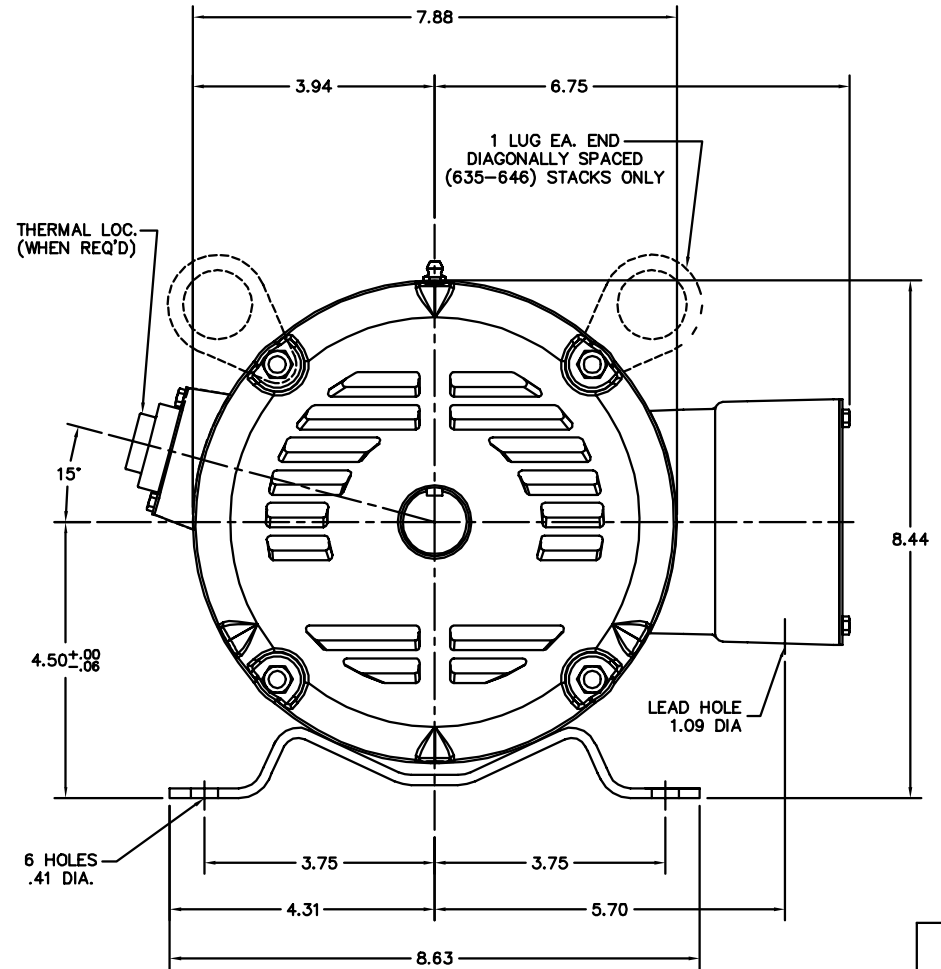
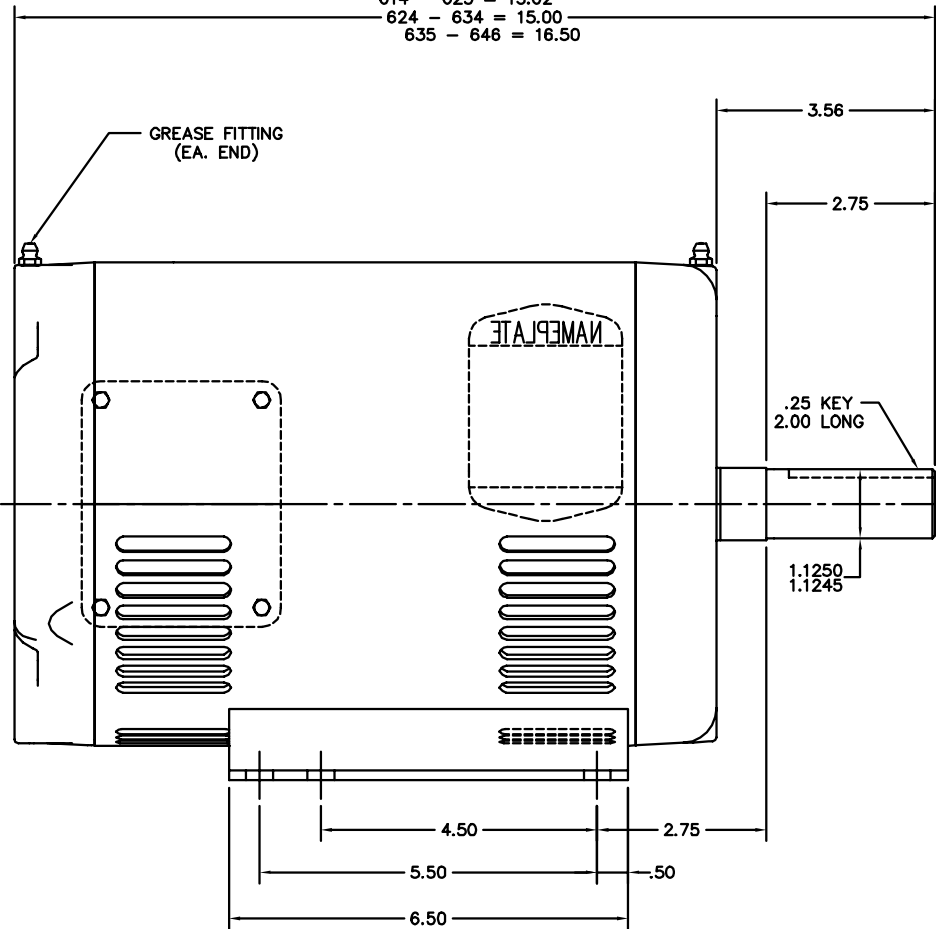


36LYB106

614 - 623 = 13.62
624 - 634 = 15.00
635 - 646 = 16.50



CUSTOMER IS RESPONSIBLE FOR DETERMINING THAT BALDOR'S PRODUCT WILL PERFORM SUITABLY IN THE INTENDED APPLICATION.

REV. DESC: FREP: WAS 36FE3200A01, NOW 36EP3204B00		
REV. LTR: F	VERSION: 04	TDR: 000001099959
FILE: \AAA\00013\282	REVISED: 03:31:38 04/02/2019	BY: FGCHAH1
MTL: -		

BALDOR - RELIANCE®

STD HORZ 182-4T OPSB 36M SLOTTED BAND F-2

SH 1 of 1

36LYB106