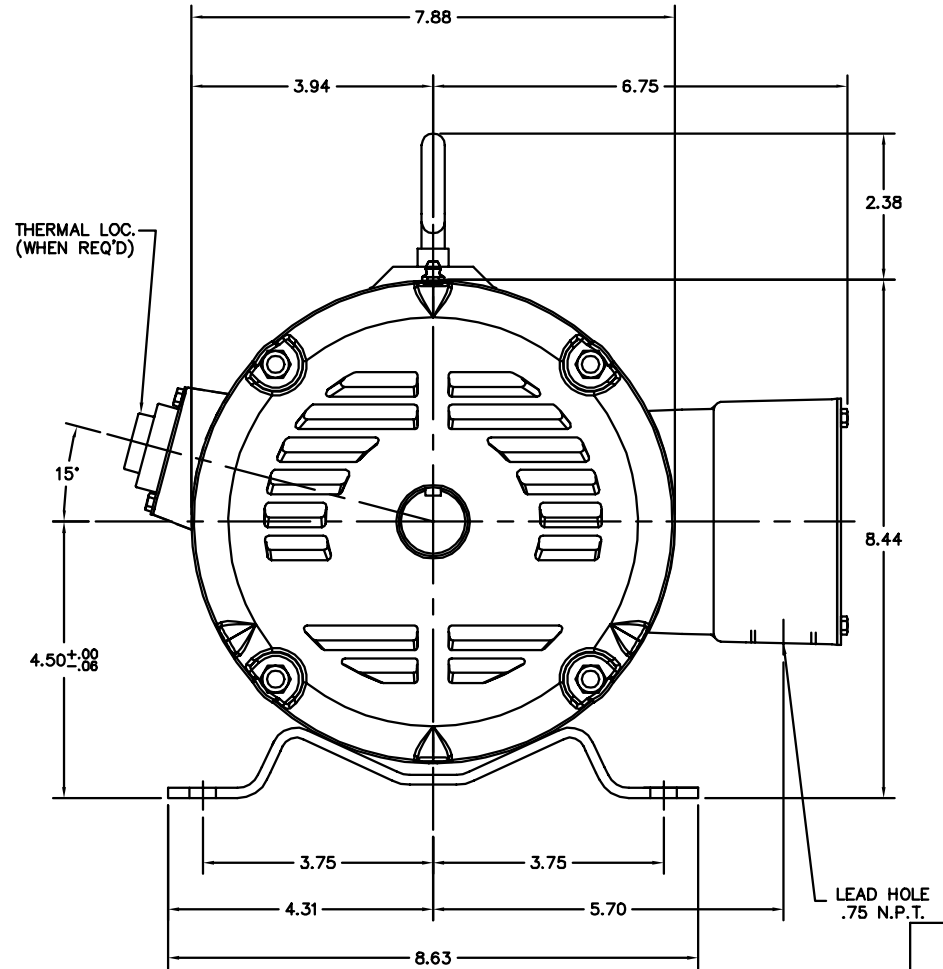
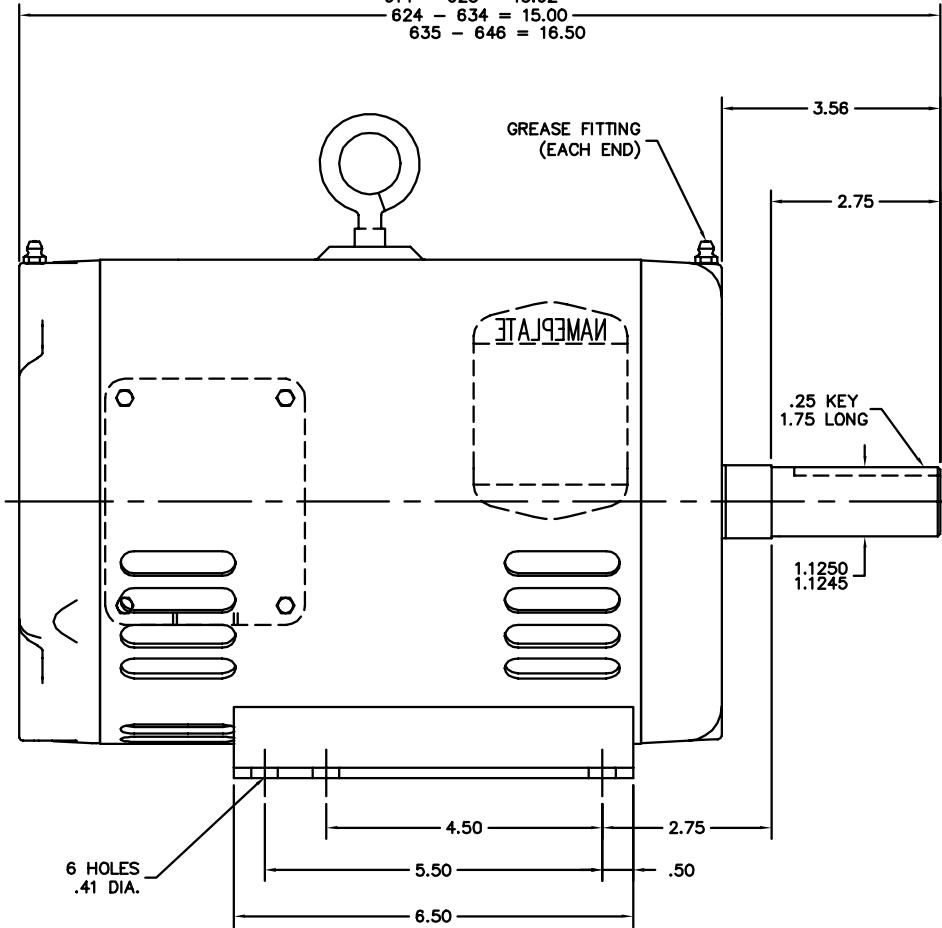


36LYH946

614 - 623 = 13.62
624 - 634 = 15.00
635 - 646 = 18.50



CUSTOMER IS RESPONSIBLE FOR DETERMINING THAT BALDOR'S PRODUCT WILL PERFORM SUITABLY IN THE INTENDED APPLICATION.

REV. DESC: FREP: WAS 36FE3200A01, NOW 36EP3204B00		
REV. LTR: F	VERSION: 03	TDR: 000001099959
FILE: \AAA\00051\047	REVISED: 06:55:39 04/03/2019	BY: FPJFEGO
MTL: AAA00051047		

BALDOR - RELIANCE®

STD HORZ 182-4T OPSB 36M F-2 MTG W/ OVER-SIZED KOBX

SH 1 of 1

36LYH946