

DUTY MASTER ALTERNATING CURRENT MOTORS

SQUIRREL-CAGE INDUCTION

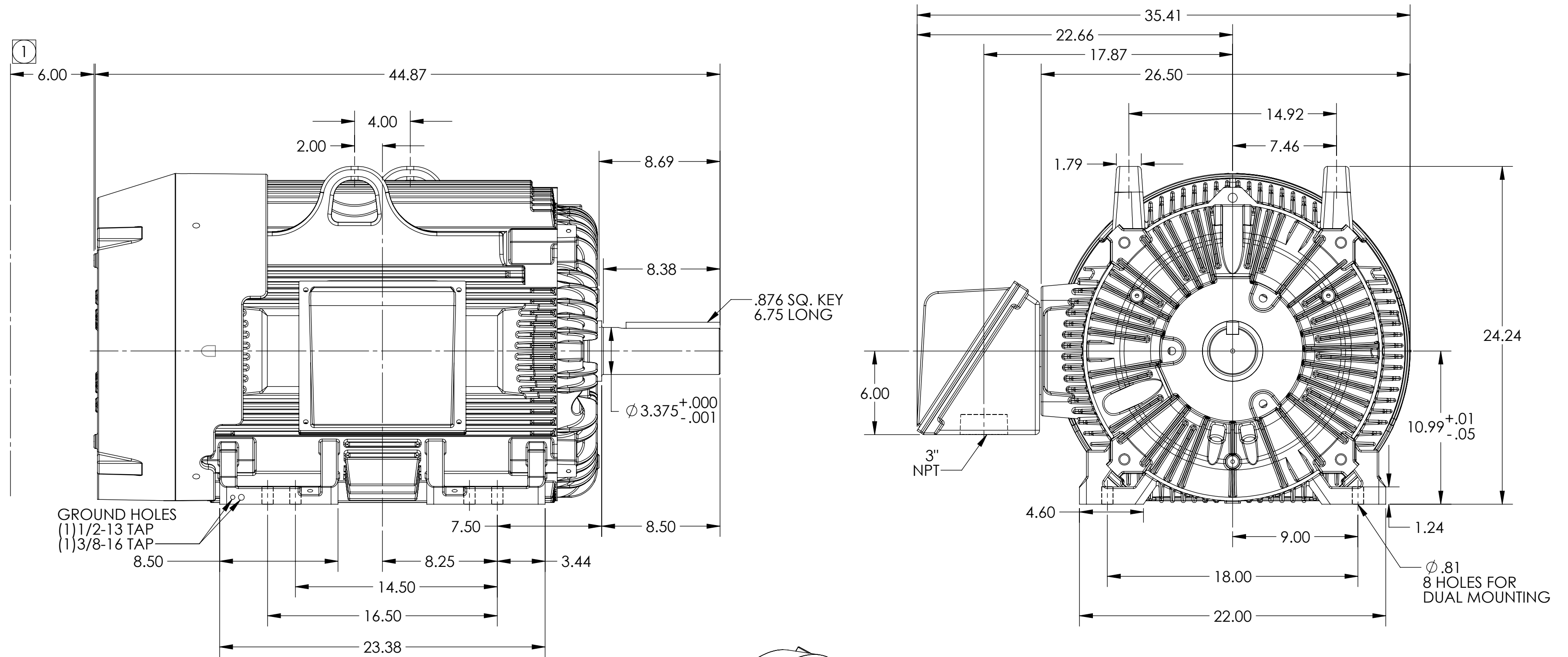
617427-315

ENCLOSURE: TOTALLY ENCLOSED

COOLING: FAN COOLED

MOUNTING: FOOT

FRAMES G445T/444T



GROUND HOLES
(1) 1/2-13 TAP
(1) 3/8-16 TAP

.876 SQ. KEY
6.75 LONG

3" NPT

Ø.81
8 HOLES FOR
DUAL MOUNTING

① OBSTRUCTION MUST NOT ENCROACH ON AIR INLET.
IF MOUNTING CLEARANCE DETAILS ARE REQUIRED, CONSULT FACTORY.
MAXIMUM PERMISSIBLE SHAFT RUNOUT WHEN MEASURED AT END OF
STANDARD SHAFT EXTENSION IS .003" T.I.R.
CONDUIT BOX LOCATED ON OPPOSITE SIDE WHEN F-2, W-1,
W-4, W-5, W-7, OR C-1 MOUNTING IS SPECIFIED

DIMENSIONS ARE IN INCHES FOR MILLIMETERS SEE SHEET (2)
CUSTOMER IS RESPONSIBLE FOR DETERMINING THAT MOTOR PERFORMANCE IS SUITABLE IN THE APPLICATION.

SHEET NUMBER
1 OF 2
617427-315

| | | | |
|----------------------|-------------|------------------------------|-------------------|
| REV. DESC: NEW | VERSION: 00 | REVISED: 09:06:36 12/05/2014 | TDR: 000000881952 |
| MODEL NO. 617427-315 | | | |
| BY: RAGAJH | | | |

BALDOR

G445T/444T STD - FOOTED - SIDE/CENTER C.I. C/B ROLLER BRG

617427-315

DUTY MASTER ALTERNATING CURRENT MOTORS

SQUIRREL-CAGE INDUCTION

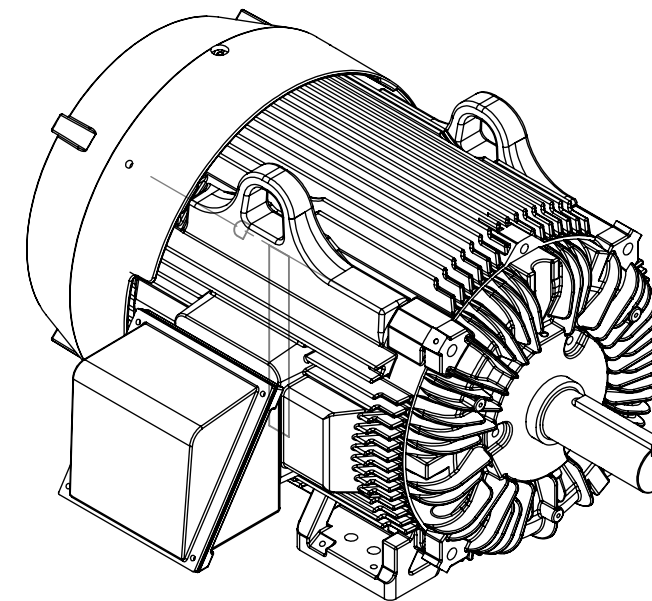
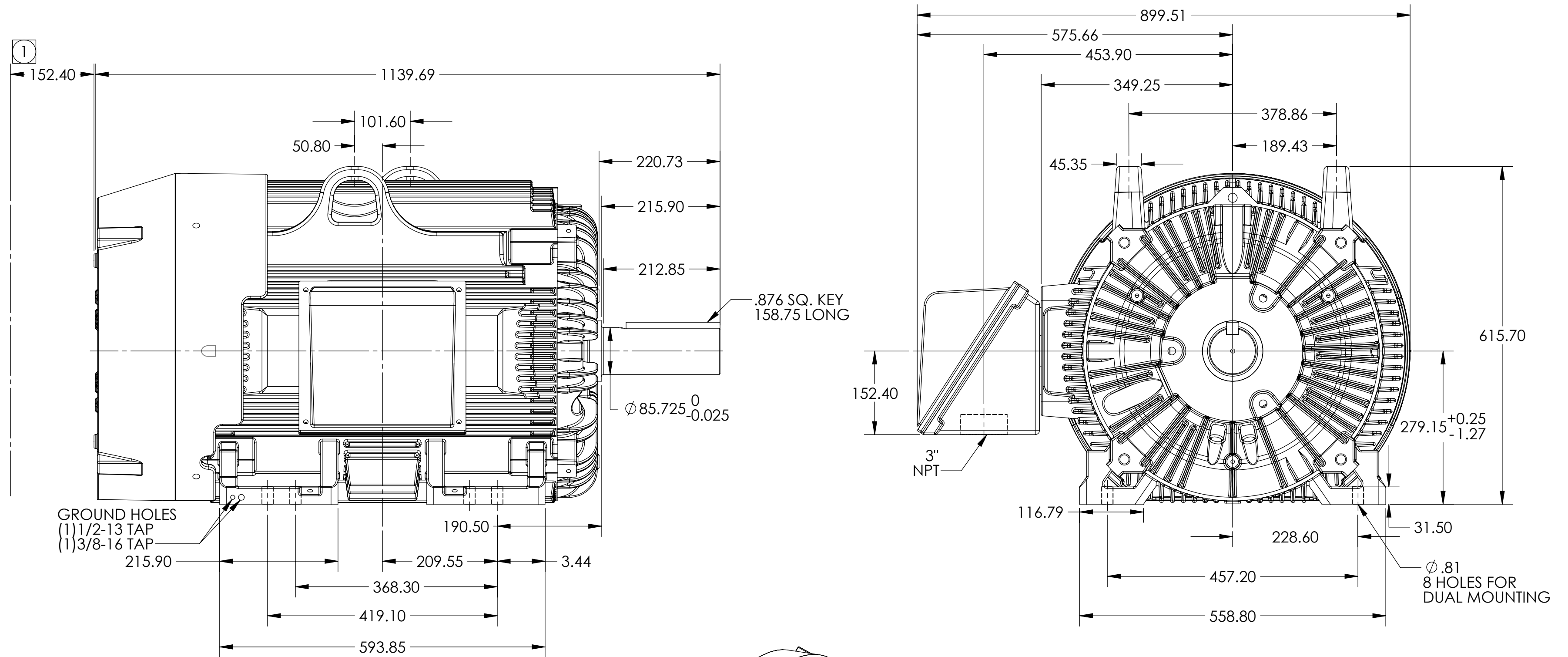
617427-315

ENCLOSURE: TOTALLY ENCLOSED

COOLING: FAN COOLED

MOUNTING: FOOT

FRAMES G445T/444T



① OBSTRUCTION MUST NOT ENCROACH ON AIR INLET.
 IF MOUNTING CLEARANCE DETAILS ARE REQUIRED, CONSULT FACTORY.
 MAXIMUM PERMISSIBLE SHAFT RUNOUT WHEN MEASURED AT END OF STANDARD SHAFT EXTENSION IS .08 T.I.R.
 CONDUIT BOX LOCATED ON OPPOSITE SIDE WHEN F-2, W-1, W-4, W-5, W-7, OR C-1 MOUNTING IS SPECIFIED

DIMENSIONS ARE IN MILLIMETERS FOR INCHES SEE SHEET 1
 CUSTOMER IS RESPONSIBLE FOR DETERMINING THAT MOTOR PERFORMANCE IS SUITABLE IN THE APPLICATION.

SHEET NUMBER
 2 OF 2
 617427-315

| | | | |
|----------------------|-------------|------------------------------|-------------------|
| REV. DESC: NEW | VERSION: 00 | REVISED: 09:06:36 12/05/2014 | TDR: 000000881952 |
| MODEL NO. 617427-315 | | | |
| BY: RAGAJH | | | |

BALDOR

G445T/444T STD - FOOTED - SIDE/CENTER C.I. C/B ROLLER BRG

617427-315