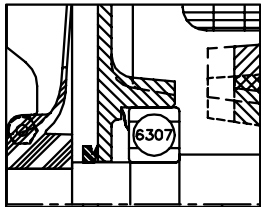
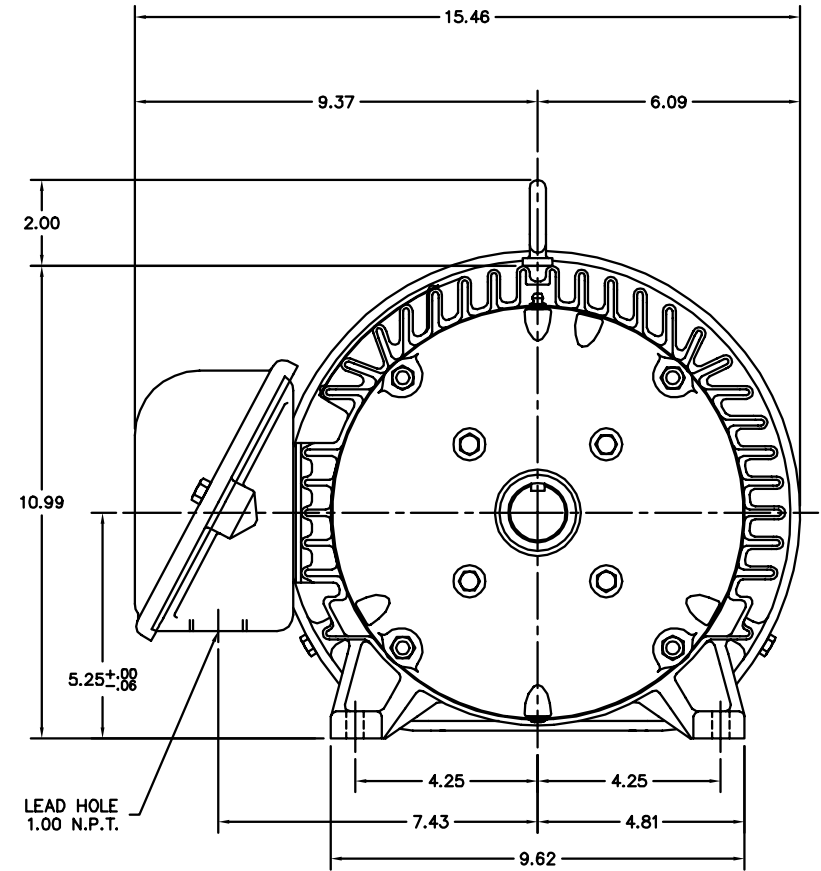
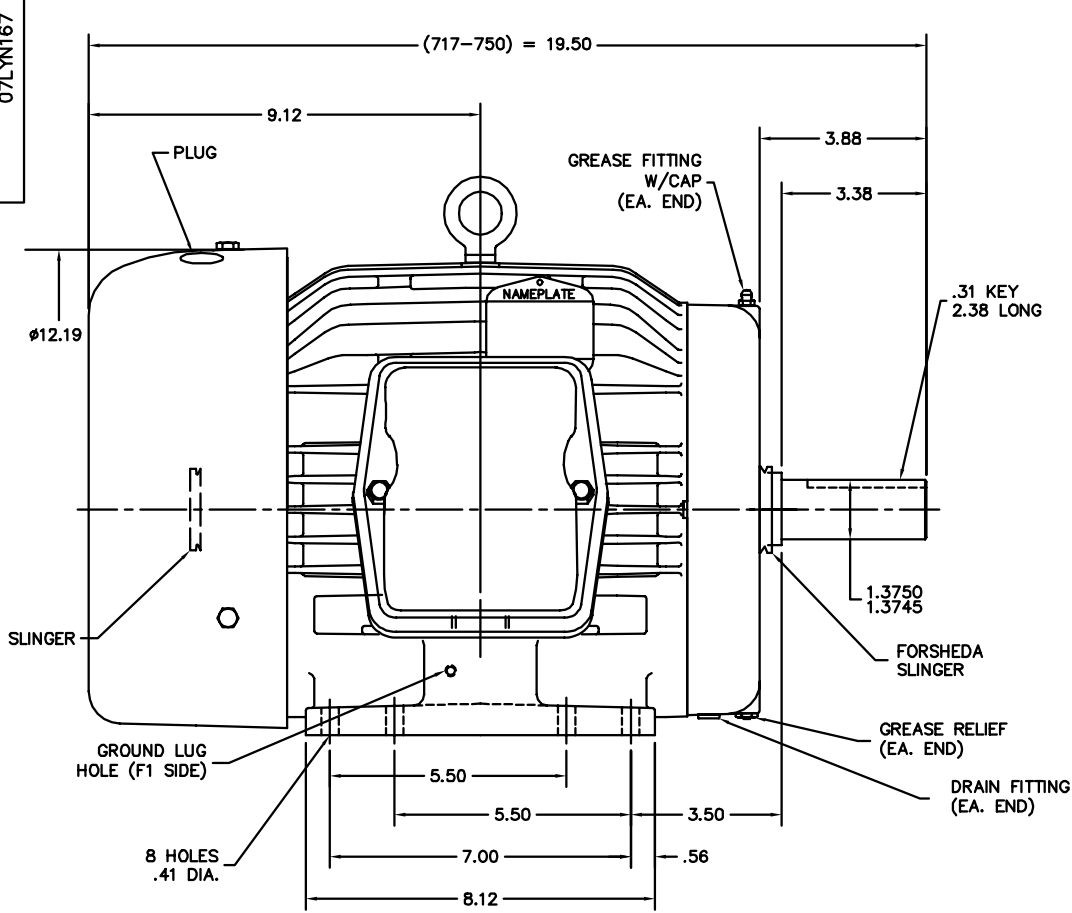
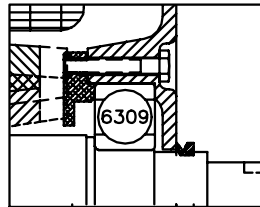


07LYN167



FRONT END DETAIL



PULLEY END DETAIL

CUSTOMER IS RESPONSIBLE FOR DETERMINING THAT BALDOR'S PRODUCT WILL PERFORM SUITABLY IN THE INTENDED APPLICATION.

REV. DESC: NEW	VERSION: 00	TDR: 000000884797
REV. LTR: -	REVISED: 08:47:43 02/06/2015	BY: ENJOSCO
FILE: \AAA\00214\553		
MTL: -		

BALDOR

HOR 213-5T M TEFC CP 309 BRG PU END

SH 1 of 1

07LYN167