

DUTY MASTER ALTERNATING CURRENT MOTORS

SQUIRREL-CAGE INDUCTION

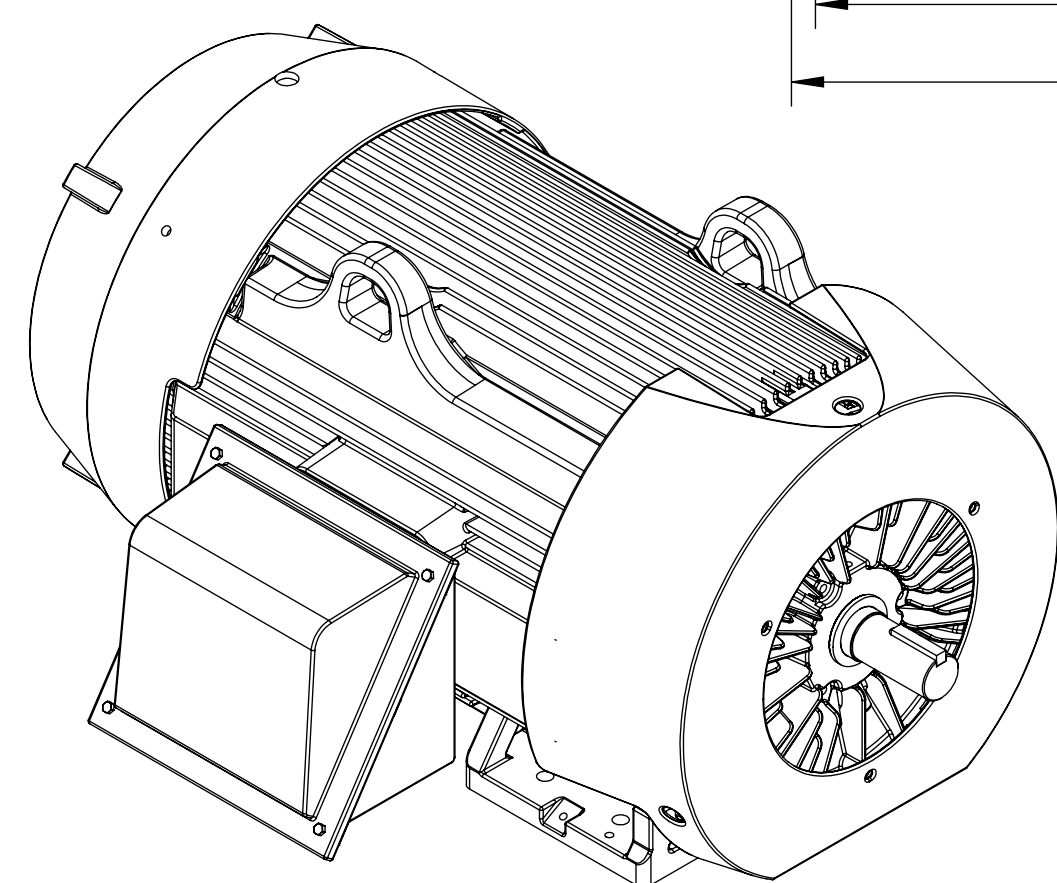
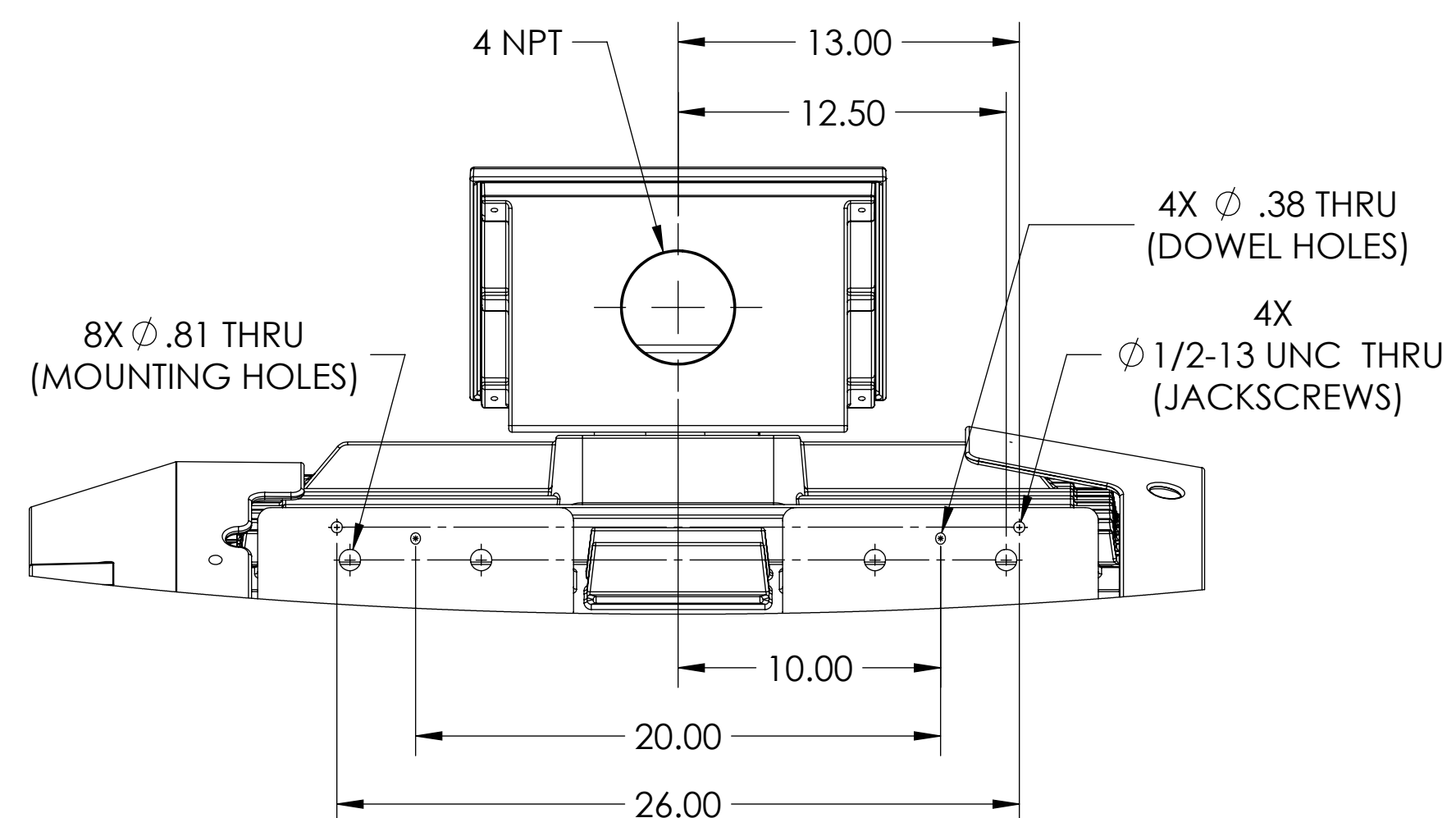
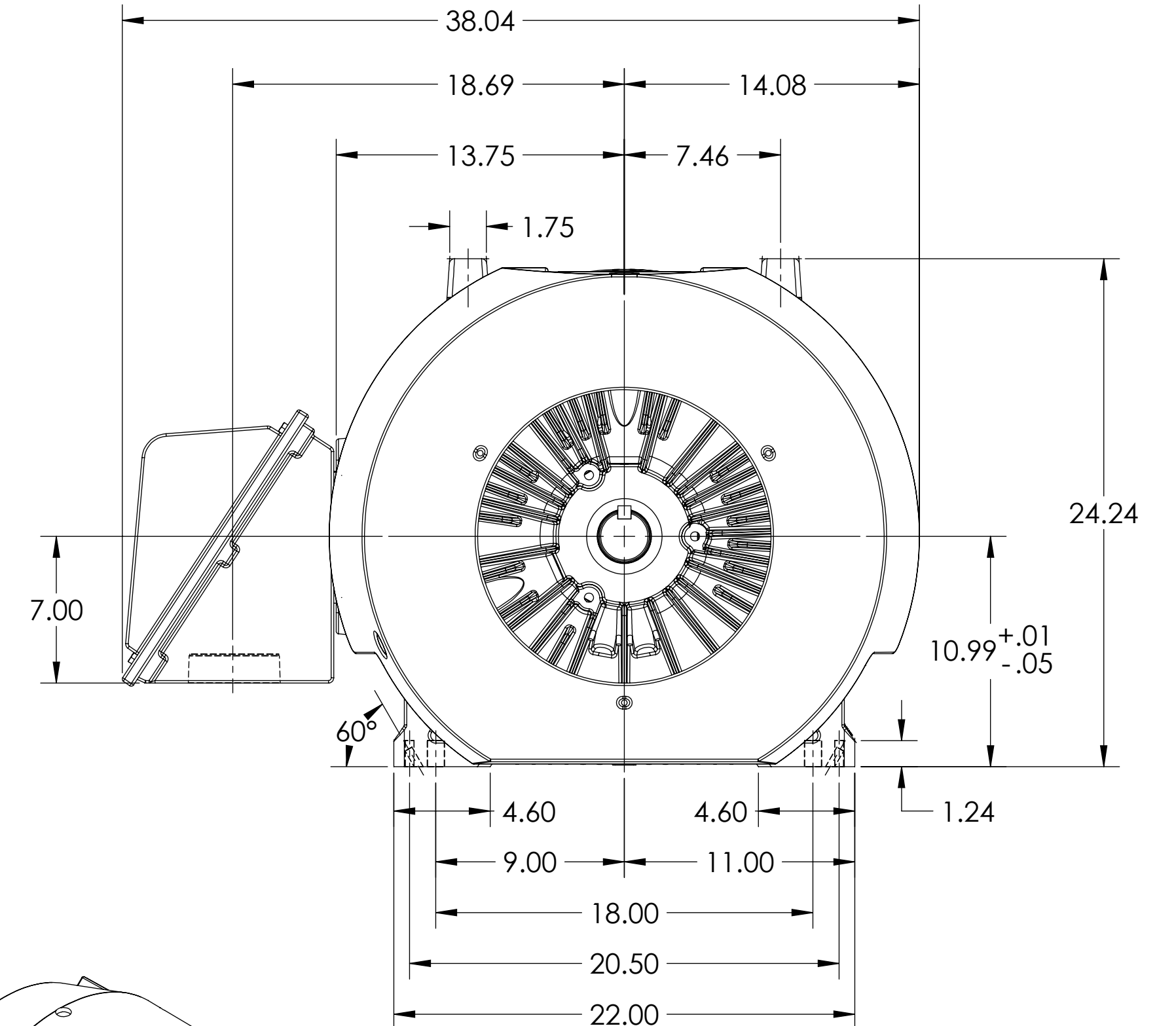
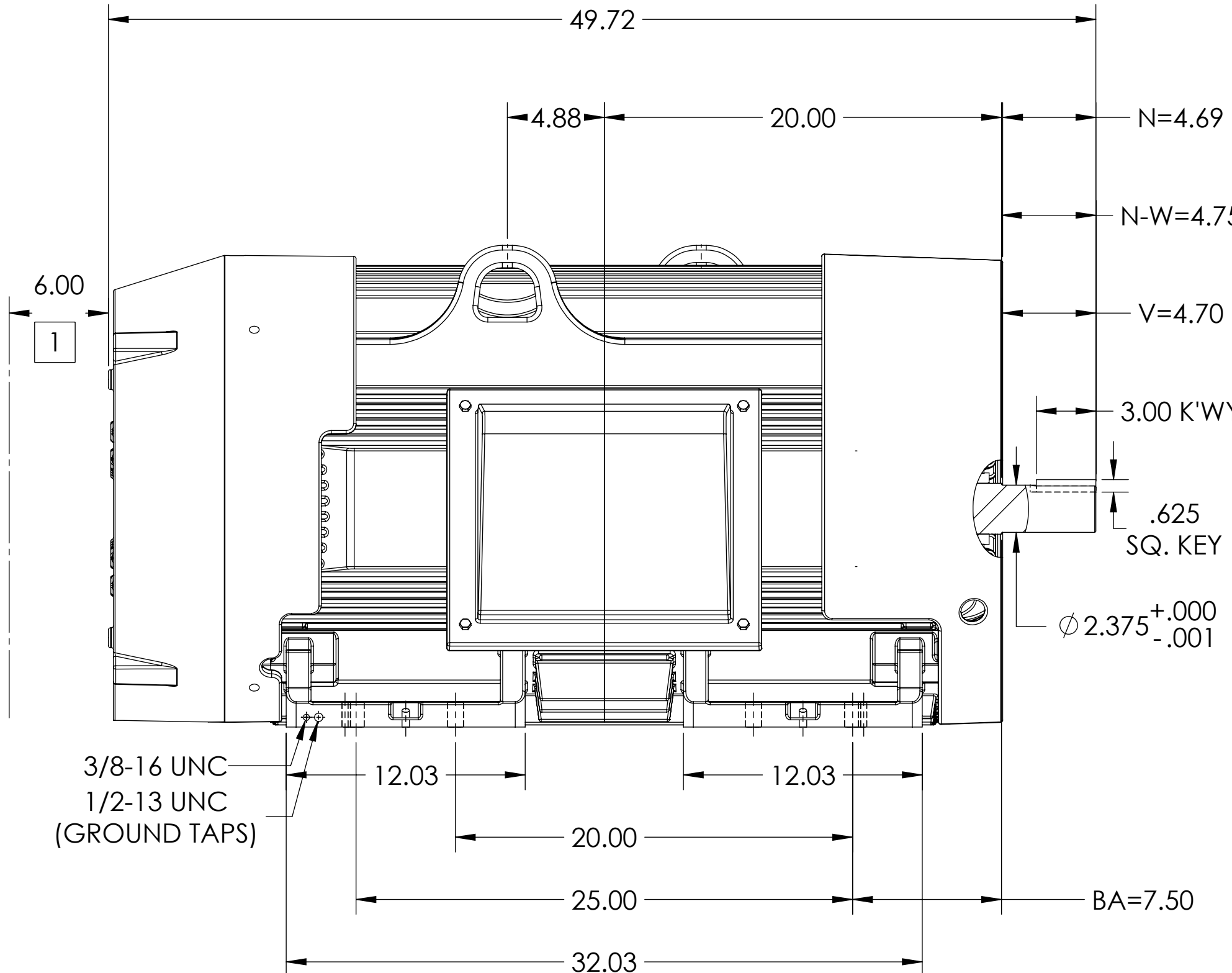
ENCLOSURE: TOTALLY ENCLOSED

COOLING: FAN COOLED

MOUNTING: FOOT, F-1 SIDE

G449TS/G447TS FRAME MOUNTING HOLES

ENCLOSURE ENHANCEMENT: 841-XL



1 OBSTRUCTION MUST NOT ENCROACH ON AIR INLET.

DIMENSIONS ARE IN INCHES.
IF MOUNTING CLEARANCE DETAILS ARE REQUIRED, CONSULT FACTORY.
CUSTOMER IS RESPONSIBLE FOR DETERMINING THAT MOTOR PERFORMANCE IS SUITABLE IN THE APPLICATION.
MAXIMUM PERMISSIBLE SHAFT RUNOUT WHEN MEASURED AT END OF STANDARD SHAFT EXTENSION IS .0015" T.I.R.

REV. DESC: NEW DRAWING			
REV: -	VERSION: 00	REVISED: 03:13:15 12/18/2018	TDR: 000001093398
MODEL NO. 617434-664		REF:	
BY: USJEDIL	Material:	C	

BALDOR

G449/447TS TEFC FOOT F1 CI BOX/JACKSCREWS/DOWELS/INPROS

DUTY MASTER ALTERNATING CURRENT MOTORS

SQUIRREL-CAGE INDUCTION

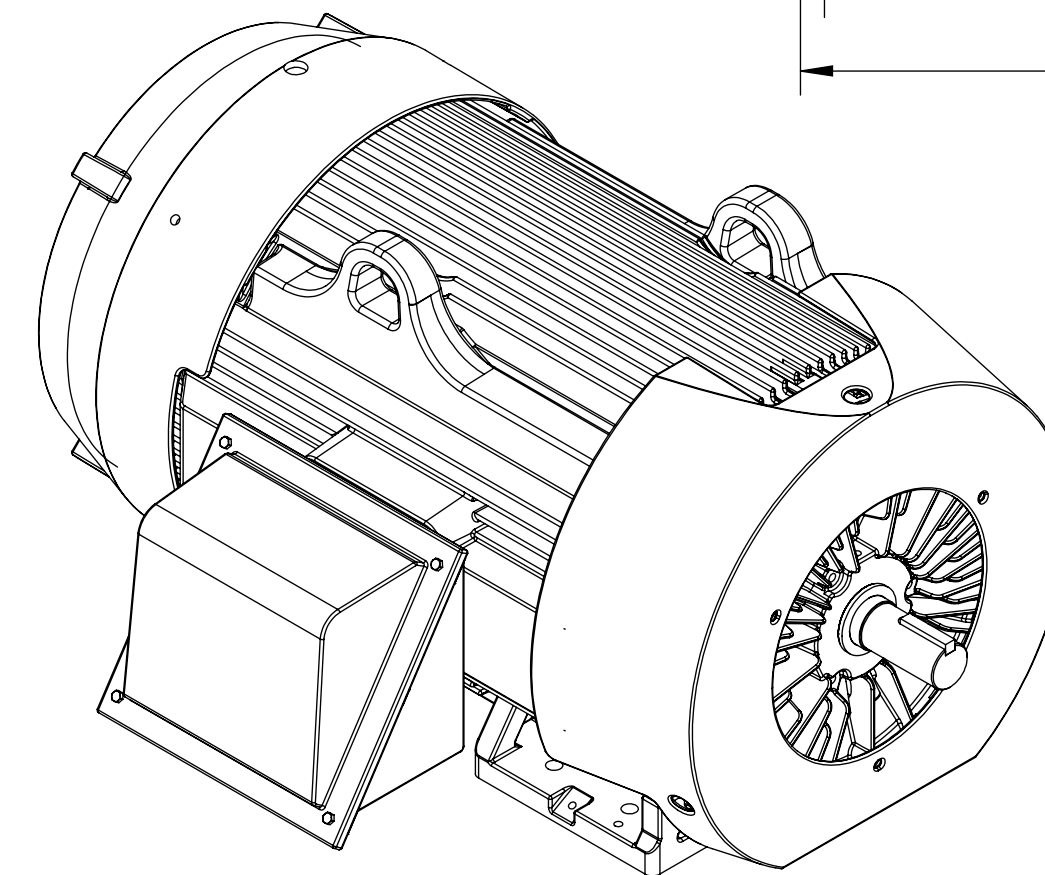
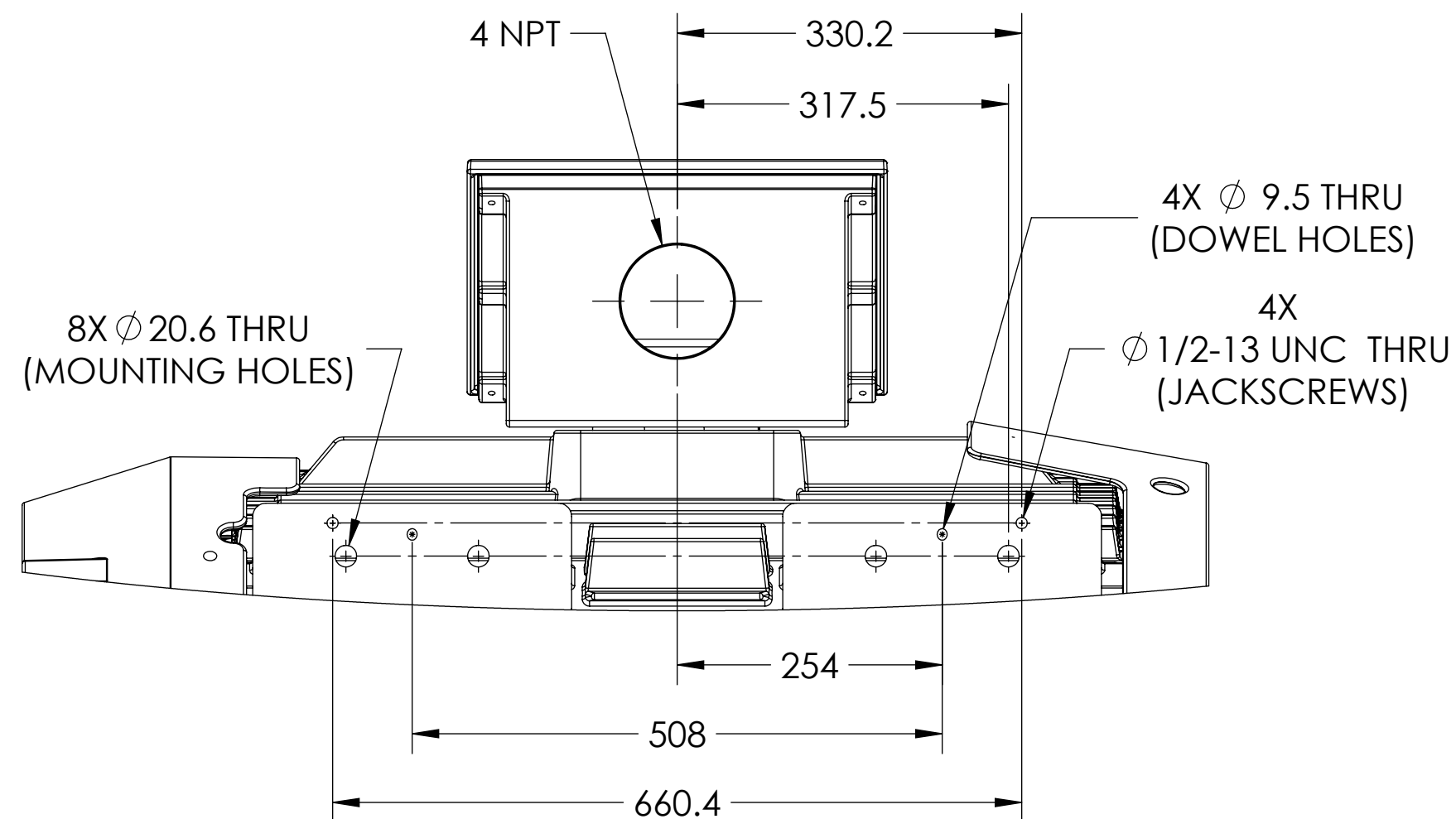
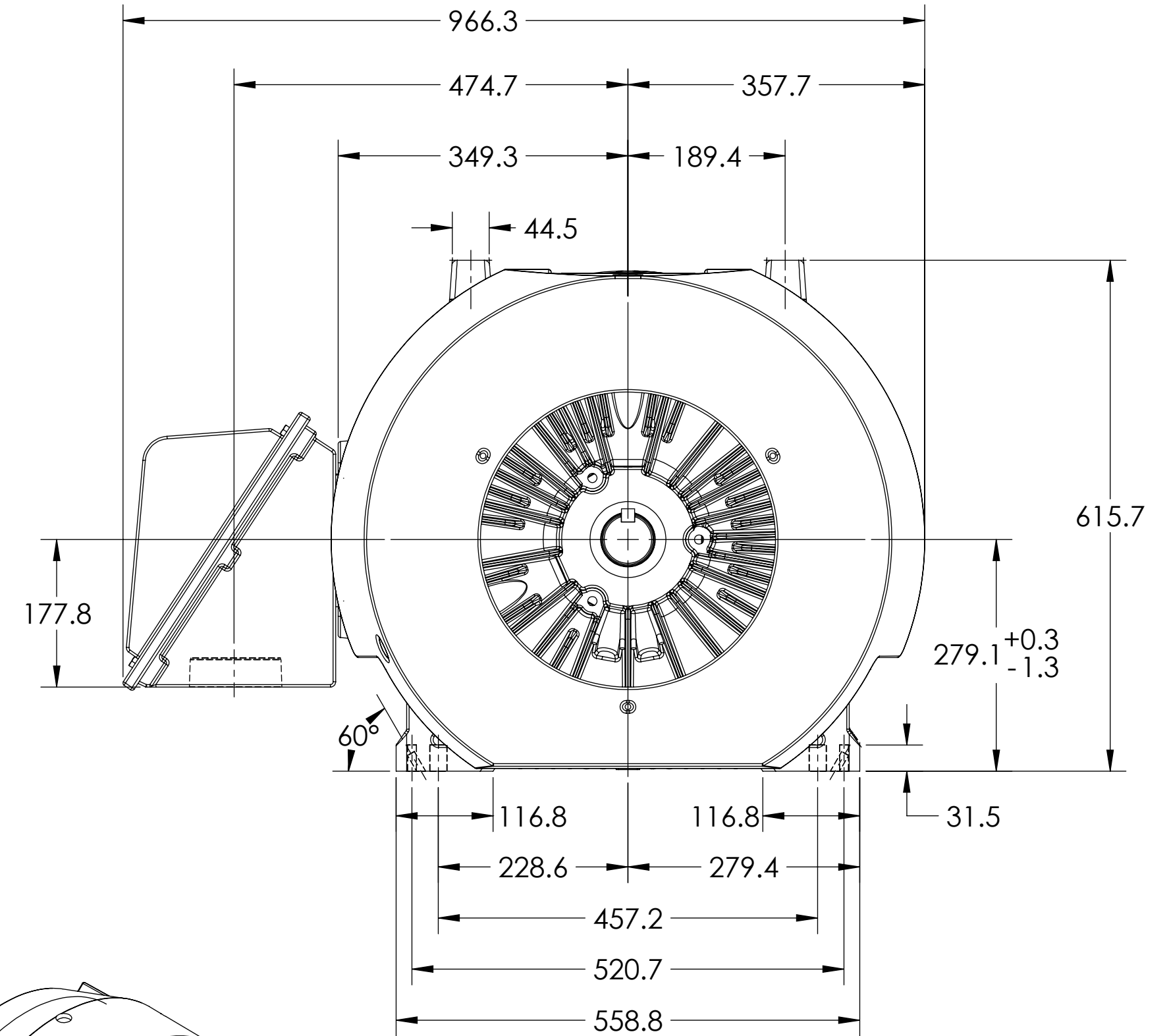
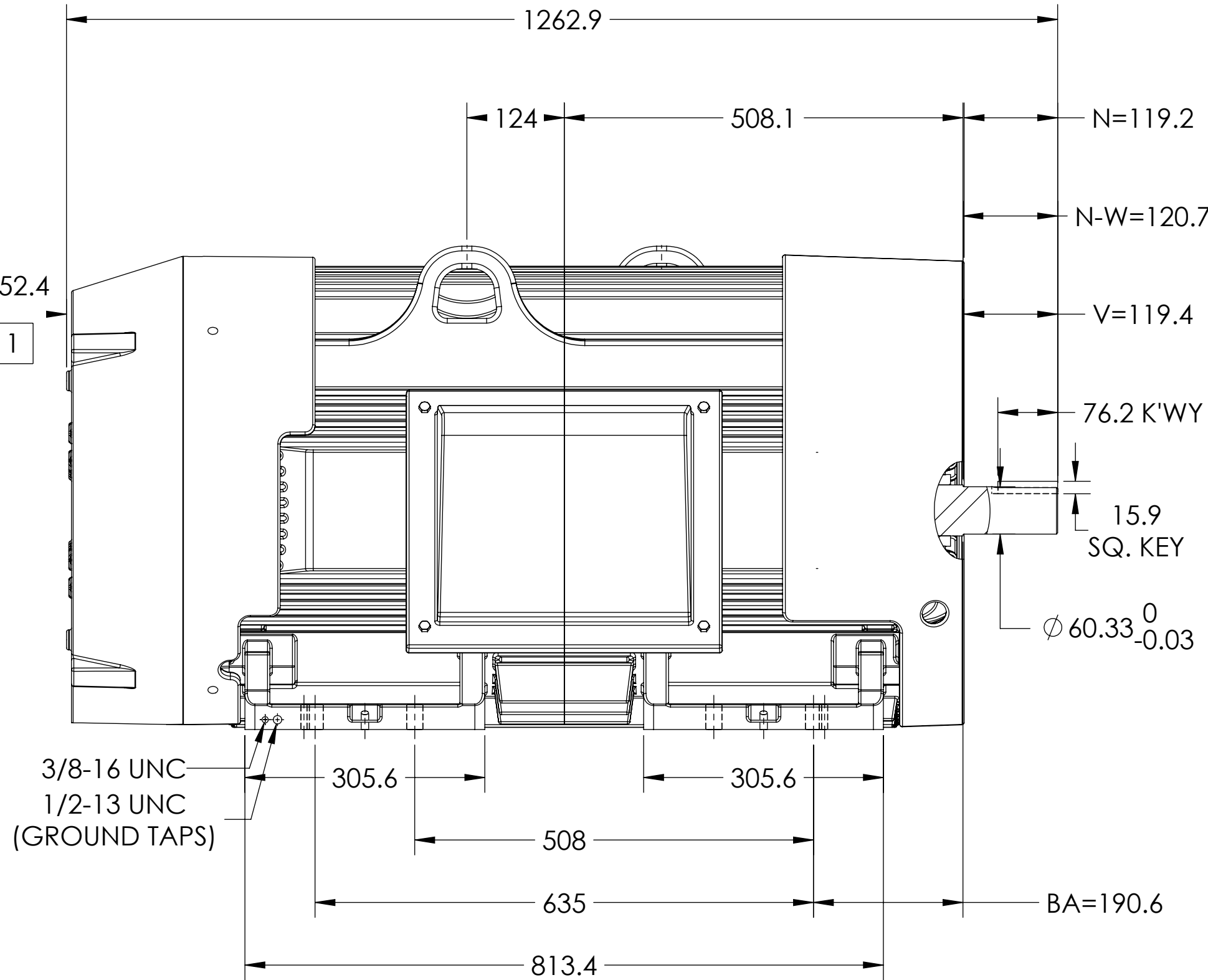
ENCLOSURE: TOTALLY ENCLOSED

COOLING: FAN COOLED

MOUNTING: FOOT, F-1 SIDE

G449TS/G447TS FRAME MOUNTING HOLES

ENCLOSURE ENHANCEMENT: 841-XL



1 OBSTRUCTION MUST NOT ENCROACH ON AIR INLET.

DIMENSIONS ARE IN MILLIMETERS.
IF MOUNTING CLEARANCE DETAILS ARE REQUIRED, CONSULT FACTORY.
CUSTOMER IS RESPONSIBLE FOR DETERMINING THAT MOTOR PERFORMANCE IS SUITABLE IN THE APPLICATION.
MAXIMUM PERMISSIBLE SHAFT RUNOUT WHEN MEASURED AT END OF STANDARD SHAFT EXTENSION IS .04 T.I.R.

REV. DESC: NEW DRAWING			
REV: -	VERSION: 00	REVISED: 03:13:15 12/18/2018	TDR: 000001093398
MODEL NO. 617434-664		REF:	
BY: USJEDIL	Material:		

BALDOR

G449/447TS TEFC FOOT F1 CI BOX/JACKSCREWS/DOWELS/INPROS