

# DUTY MASTER ALTERNATING CURRENT MOTORS

ENCLOSURE: TOTALLY ENCLOSED

SQUIRREL-CAGE INDUCTION

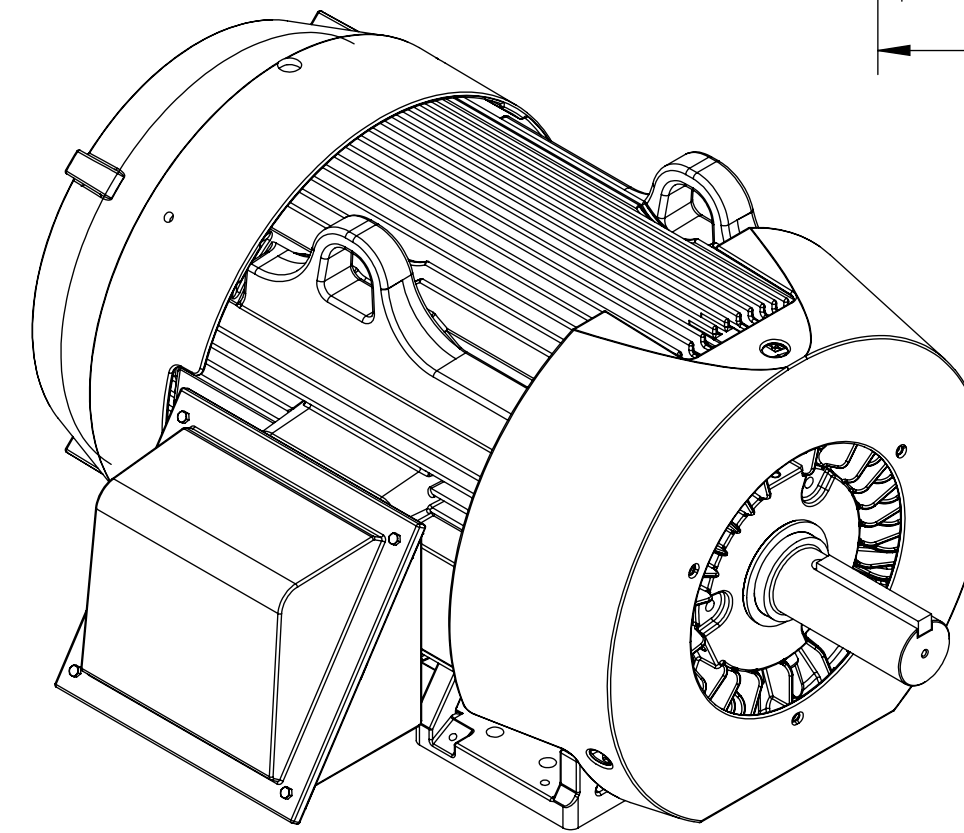
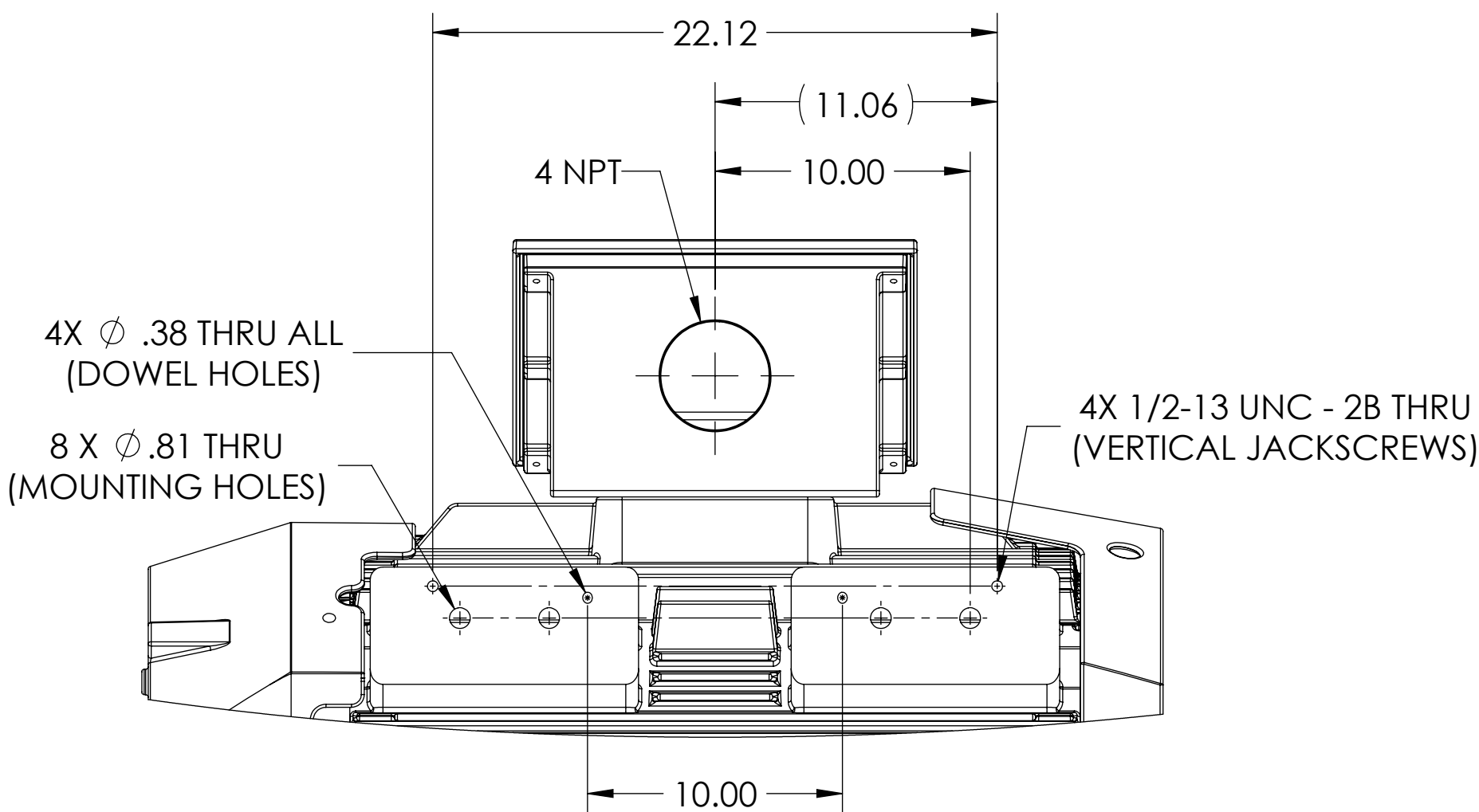
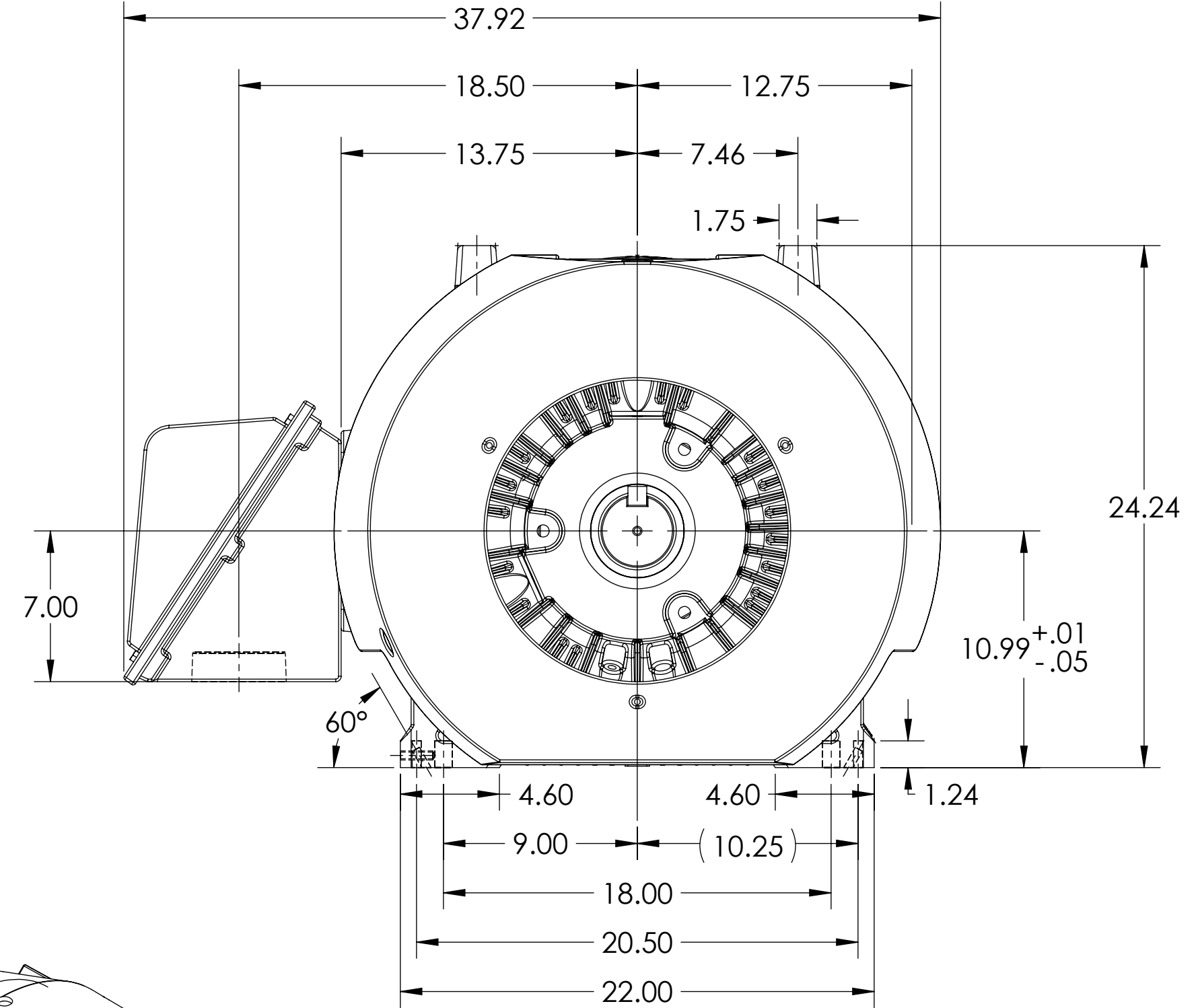
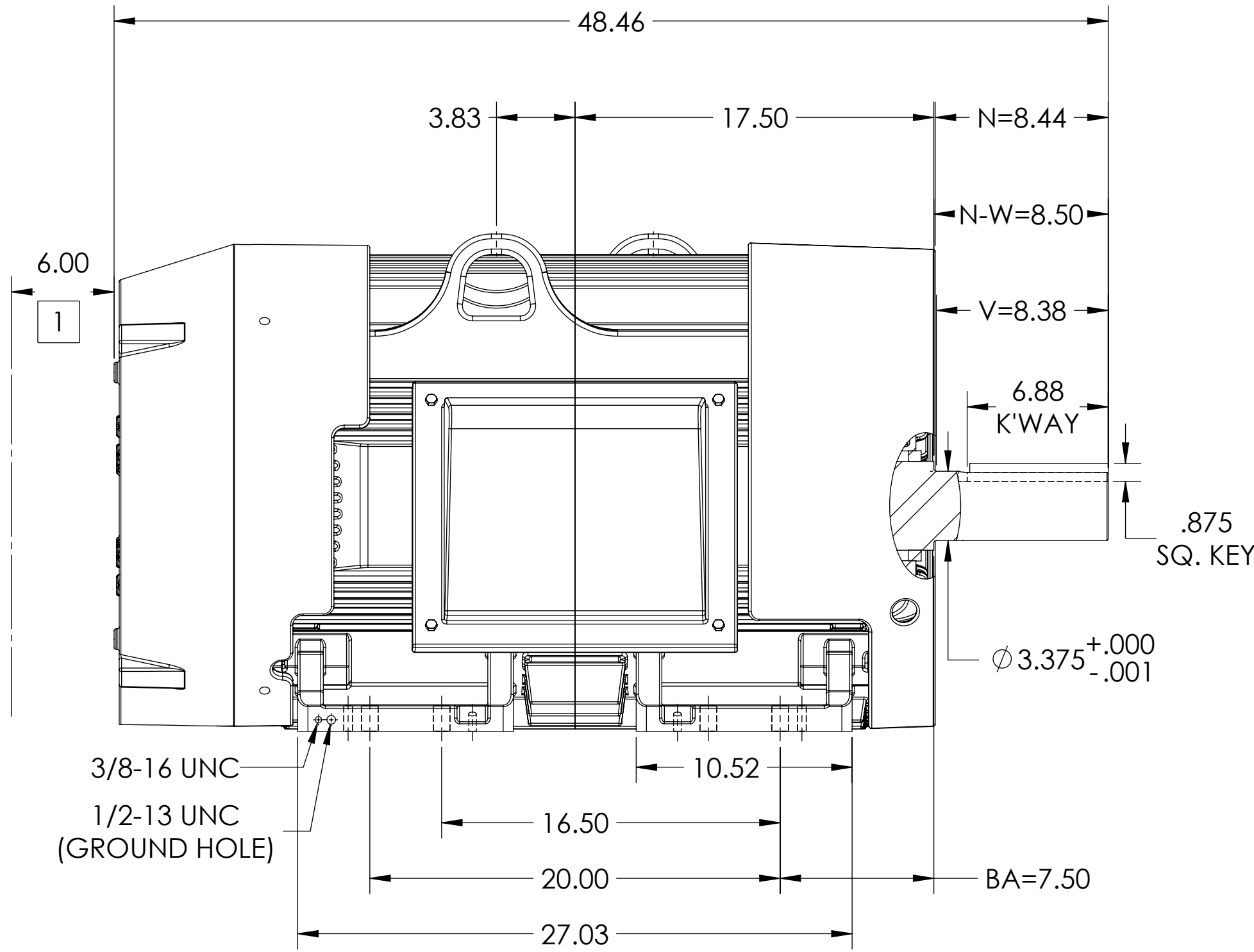
COOLING: FAN COOLED

MOUNTING: FOOT, F-1 SIDE

G447T/ G445T FRAME MOUNTING HOLES

ENCLOSURE ENHANCEMENT: 841-XL

ROLLER BEARING DESIGN



1 OBSTRUCTION MUST NOT ENCROACH ON AIR INLET.

DIMENSIONS ARE IN INCHES.  
WEIGHT (LBS): 2515. MOTOR WEIGHTS MAY VARY BY 15% DEPENDING ON RATING.  
CUSTOMER IS RESPONSIBLE FOR DETERMINING THAT MOTOR PERFORMANCE IS SUITABLE IN THE APPLICATION.

REV. DESC: NEW DRAWING	VERSION: 00	REVISED: 11:47:14 12/18/2018	TDR: 000001093403
MODEL NO. 617434-663	Material:		REF:
BY: USJEDIL			

## BALDOR

G447/445T TEFC FT F1 CI BOX/JACKSCREWS/DOWELS/INPROS/ROLLER

IF MOUNTING CLEARANCE DETAILS ARE REQUIRED, CONSULT FACTORY.  
MAX PERMISSIBLE SHAFT RUNOUT WHEN MEASURED AT END OF SHAFT EXTENSION IS .002 T.I.R.

# DUTY MASTER ALTERNATING CURRENT MOTORS

SQUIRREL-CAGE INDUCTION

COOLING: FAN COOLED

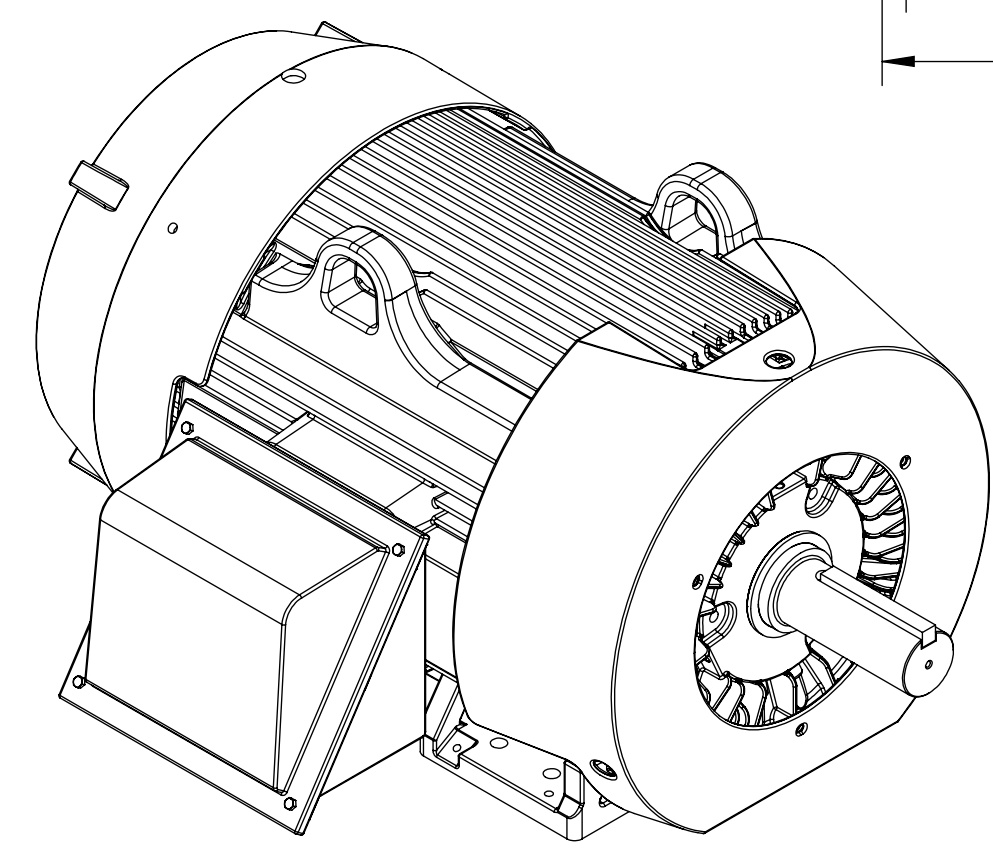
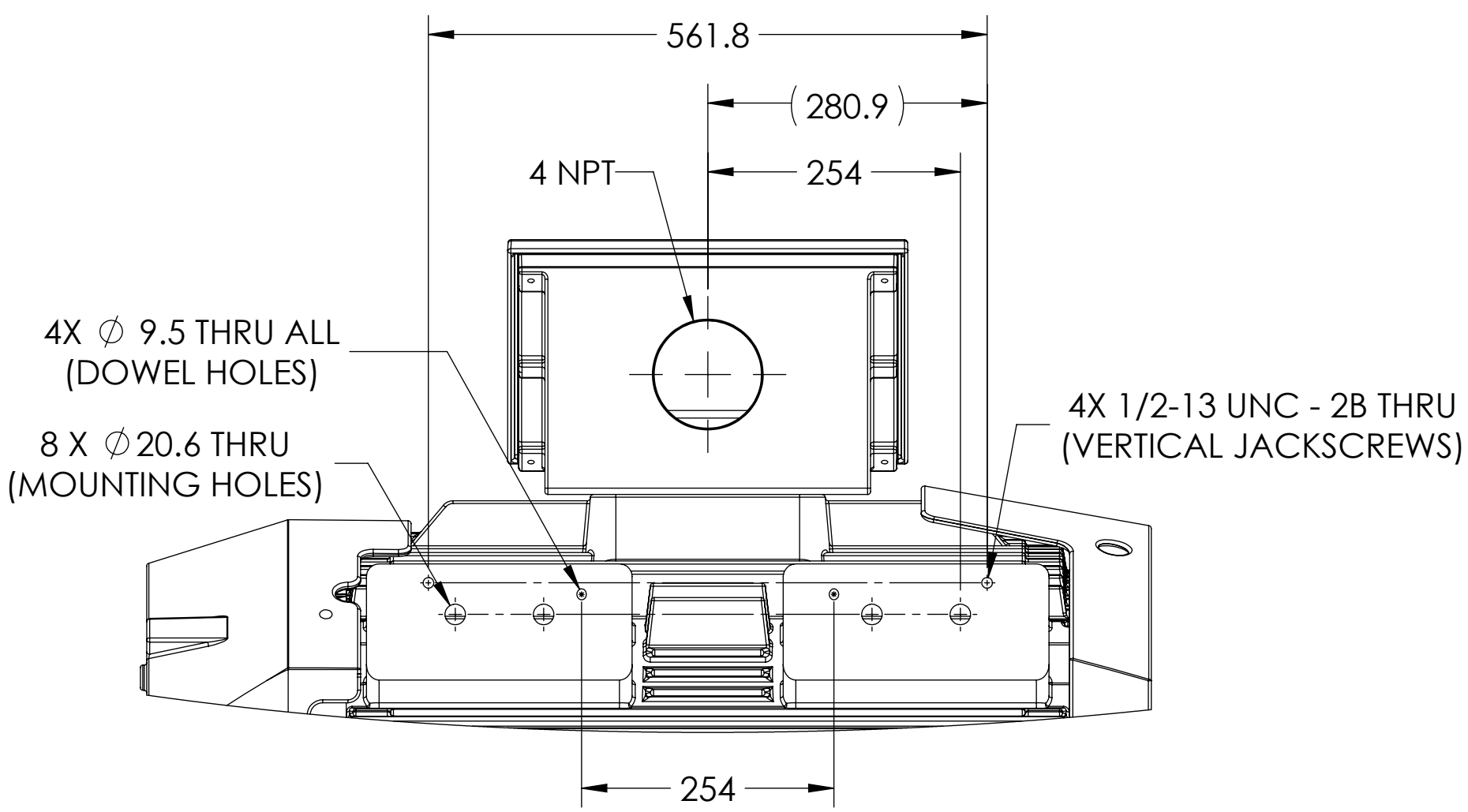
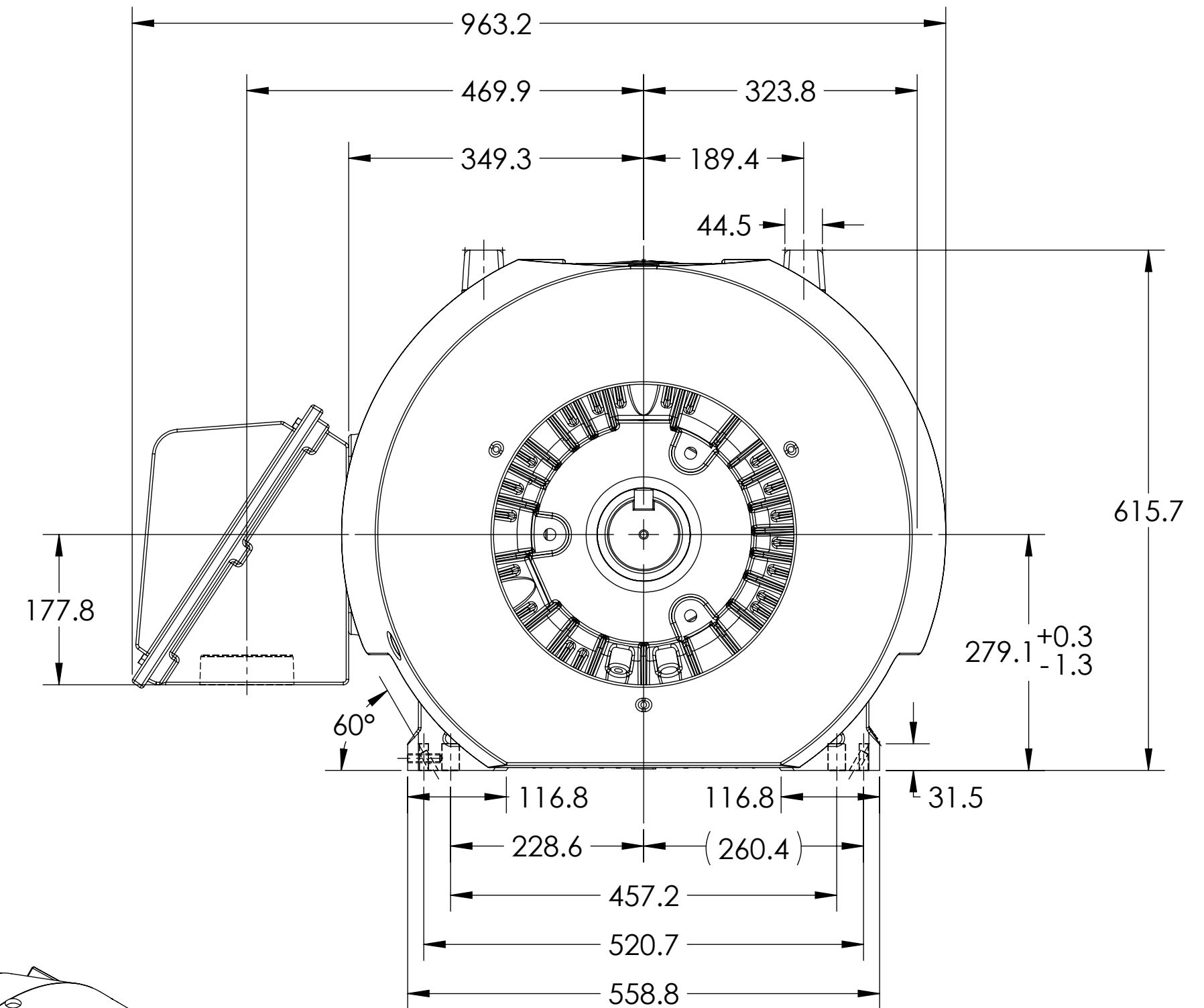
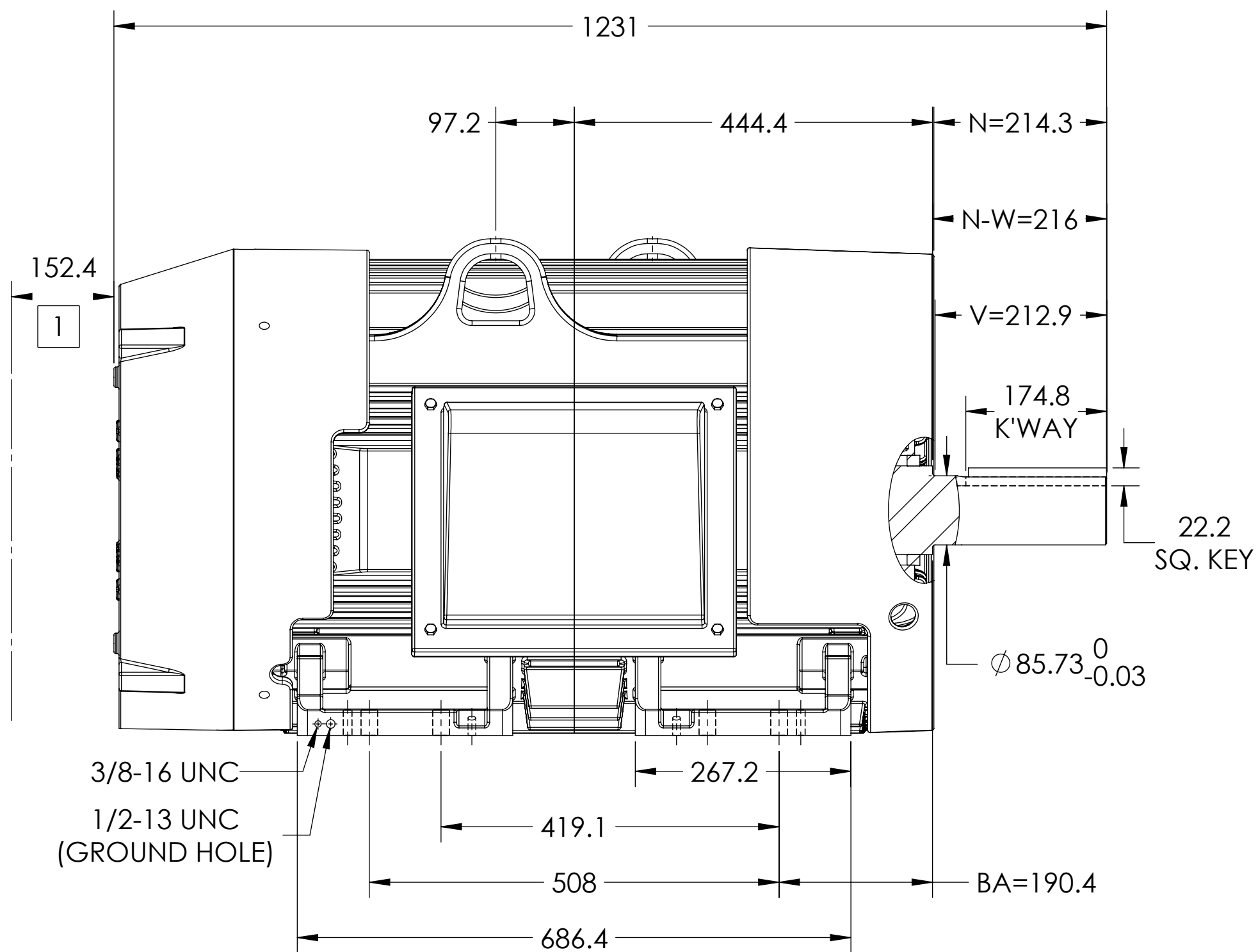
ENCLOSURE: TOTALLY ENCLOSED

MOUNTING: FOOT, F-1 SIDE

G447T/ G445T FRAME MOUNTING HOLES

ENCLOSURE ENHANCEMENT: 841-XL

ROLLER BEARING DESIGN



1 OBSTRUCTION MUST NOT ENCROACH ON AIR INLET.

DIMENSIONS ARE IN MILLIMETERS.  
WEIGHT (KGS): 1141, MOTOR WEIGHTS MAY VARY BY 15% DEPENDING ON RATING.  
CUSTOMER IS RESPONSIBLE FOR DETERMINING THAT MOTOR PERFORMANCE IS SUITABLE IN THE APPLICATION.

REV. DESC: NEW DRAWING			
REV: -	VERSION: 00	REVISED: 11:47:14 12/18/2018	TDR: 000001093403
MODEL NO. 617434-663		REF:	
BY: USJEDIL	Material:		

**BALDOR**

G447/445T TEFC FT F1 CI BOX/JACKSCREWS/DOWELS/INPROS/ROLLER

IF MOUNTING CLEARANCE DETAILS ARE REQUIRED, CONSULT FACTORY.  
MAX PERMISSIBLE SHAFT RUNOUT WHEN MEASURED AT END OF SHAFT EXTENSION IS .05 T.I.R.