

DUTY MASTER ALTERNATING CURRENT MOTORS

SQUIRREL-CAGE INDUCTION

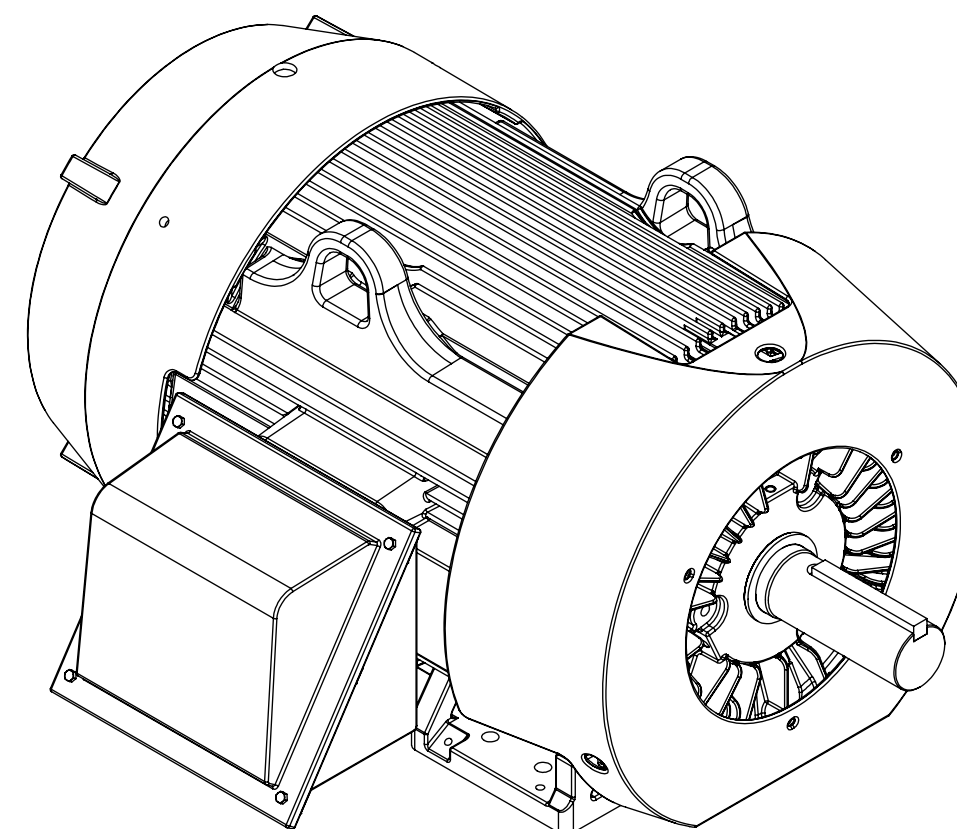
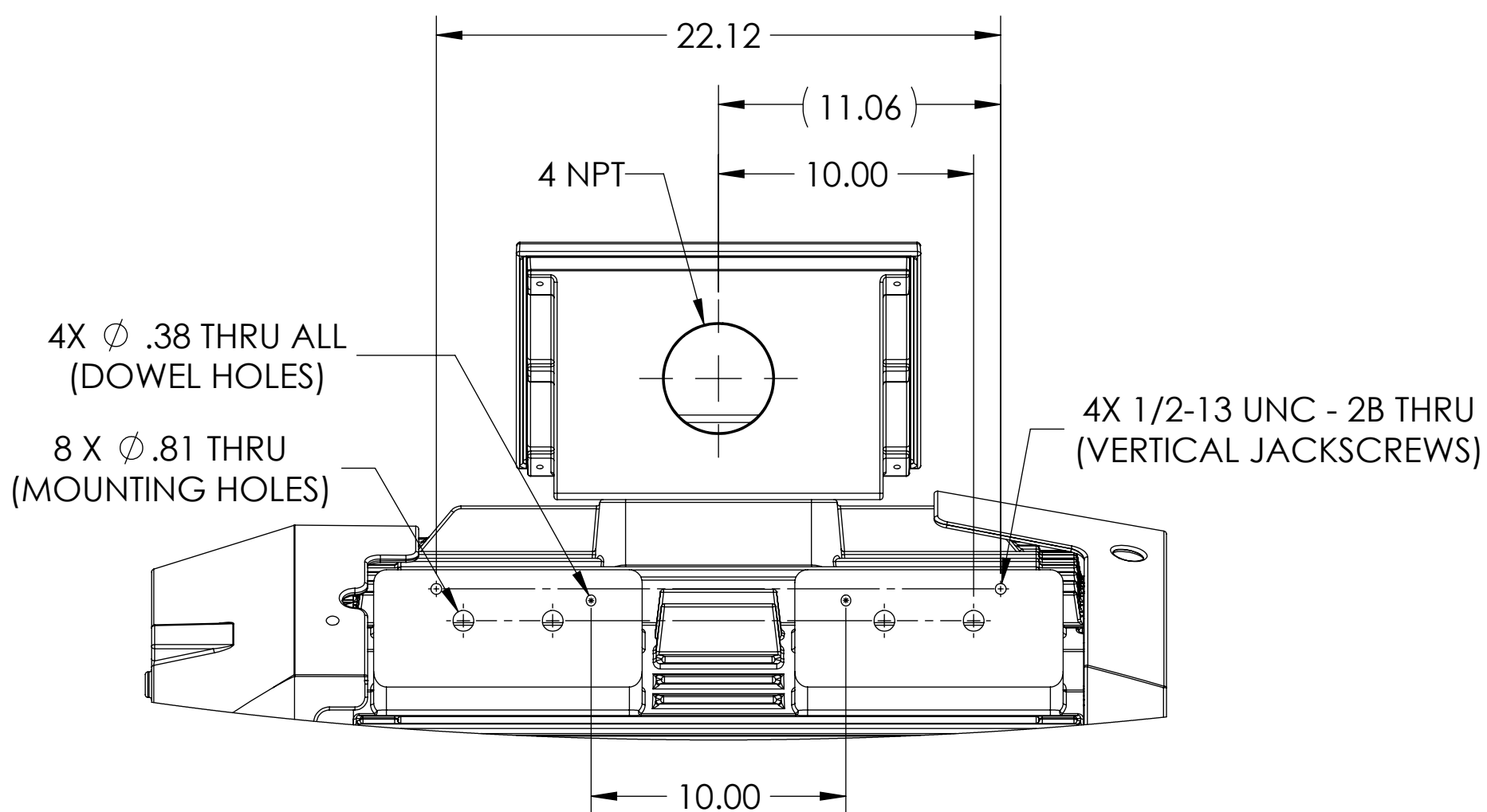
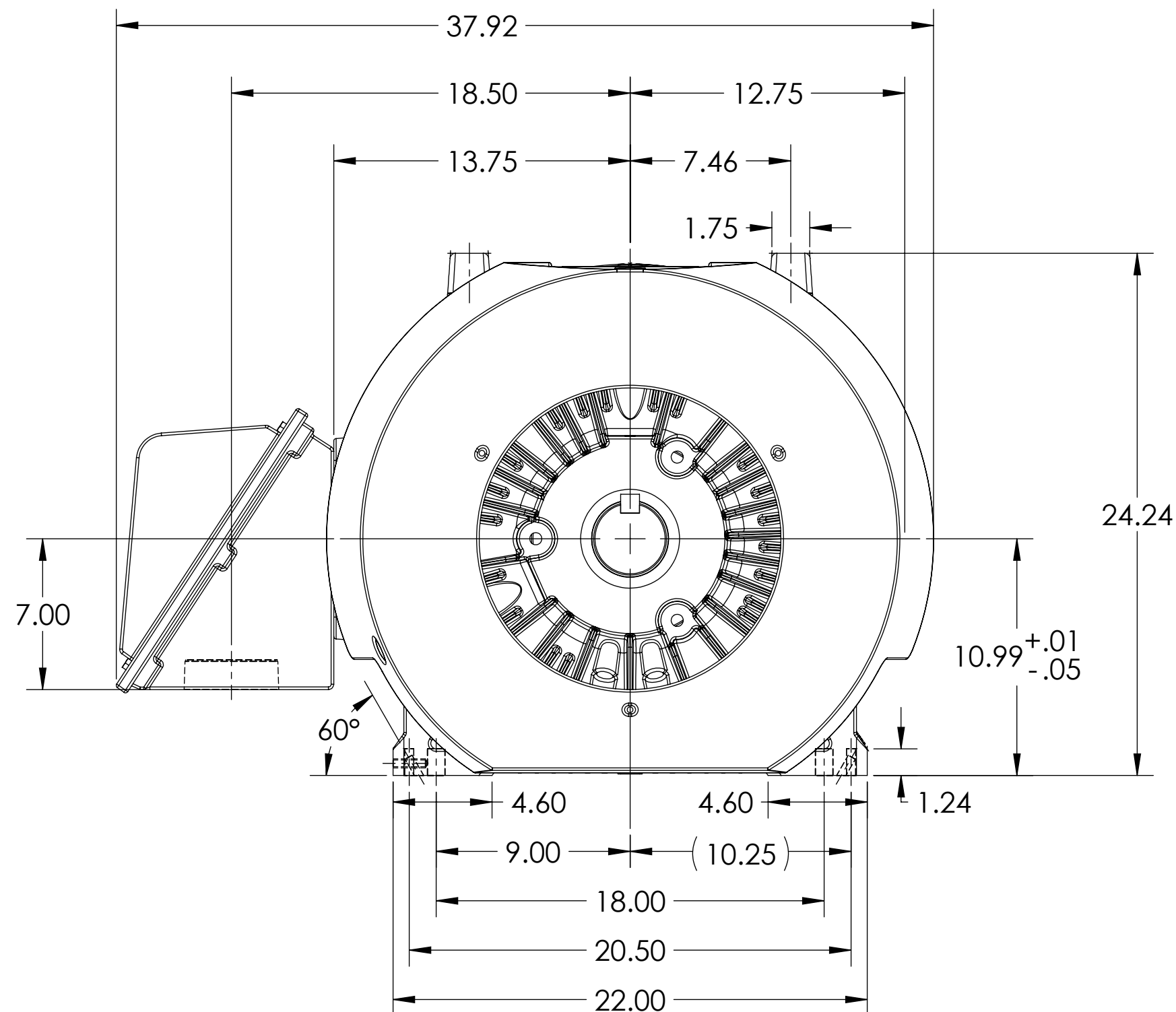
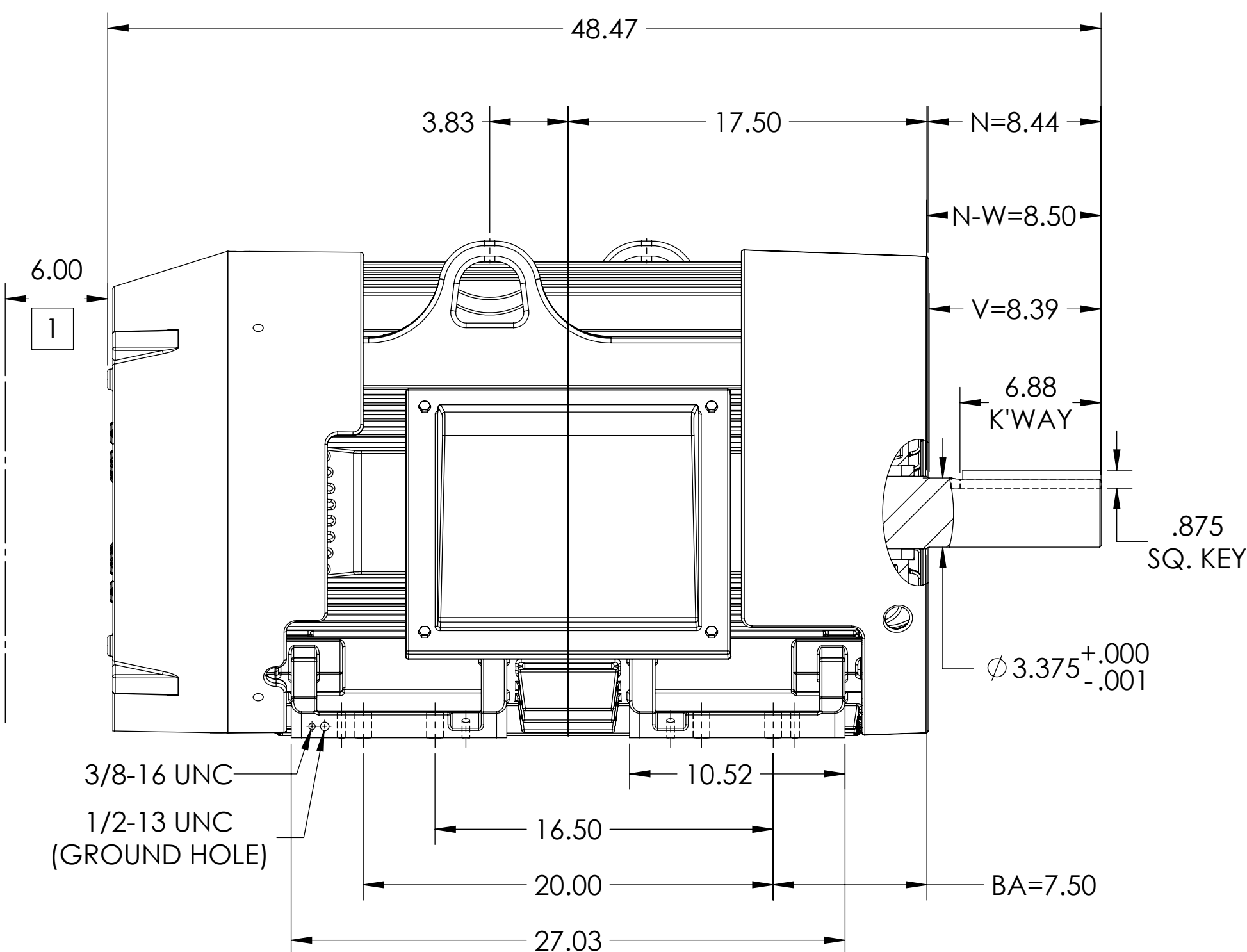
COOLING: FAN COOLED

ENCLOSURE: TOTALLY ENCLOSED

MOUNTING: FOOT, F-1 SIDE

G447T/ G445T FRAME MOUNTING HOLES

ENCLOSURE ENHANCEMENT: 841-XL



1 OBSTRUCTION MUST NOT ENCROACH ON AIR INLET.

IF MOUNTING CLEARANCE DETAILS ARE REQUIRED, CONSULT FACTORY.
MAX PERMISSIBLE SHAFT RUNOUT WHEN MEASURED AT END OF SHAFT EXTENSION IS .0015 T.I.R.

DIMENSIONS ARE IN INCHES.
WEIGHT (LBS): 2515, MOTOR WEIGHTS MAY VARY BY 15% DEPENDING ON RATING.
CUSTOMER IS RESPONSIBLE FOR DETERMINING THAT MOTOR PERFORMANCE IS SUITABLE IN THE APPLICATION.

REV. DESC: NEW DRAWING			
REV: -	VERSION: 00	REVISED: 09:43:08 12/18/2018	TDR: 000001093420
MODEL NO. 617434-662		REF:	
BY: USJEDIL	Material:		

BALDOR

G447/445T TEFC FOOT F1 CI BOX/JACKSCREWS/DOWEL PINS/INPROS

DUTY MASTER ALTERNATING CURRENT MOTORS

SQUIRREL-CAGE INDUCTION

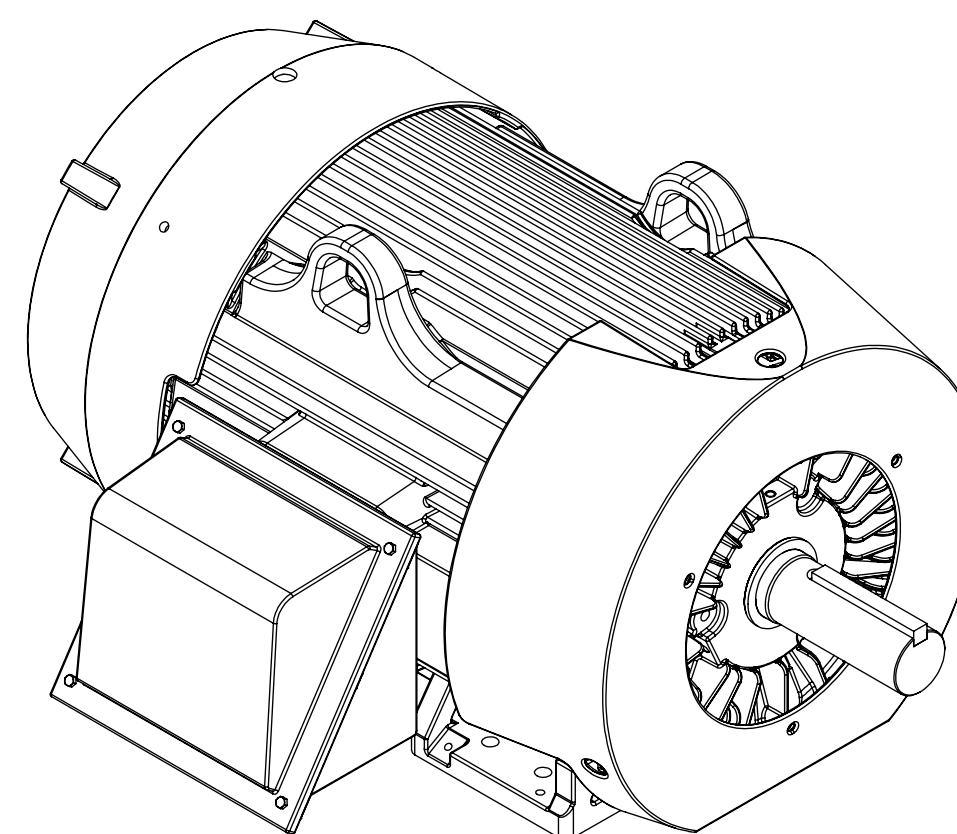
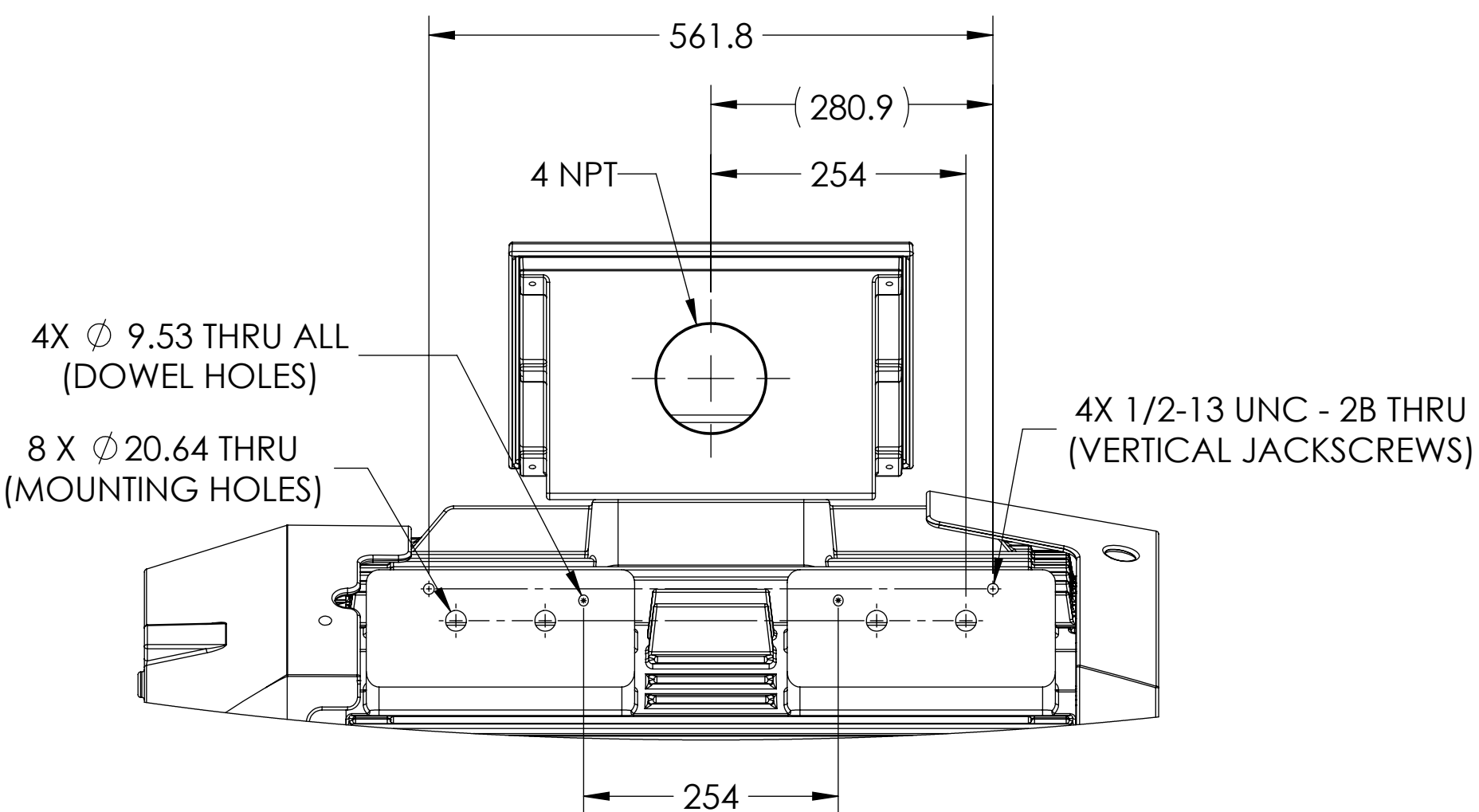
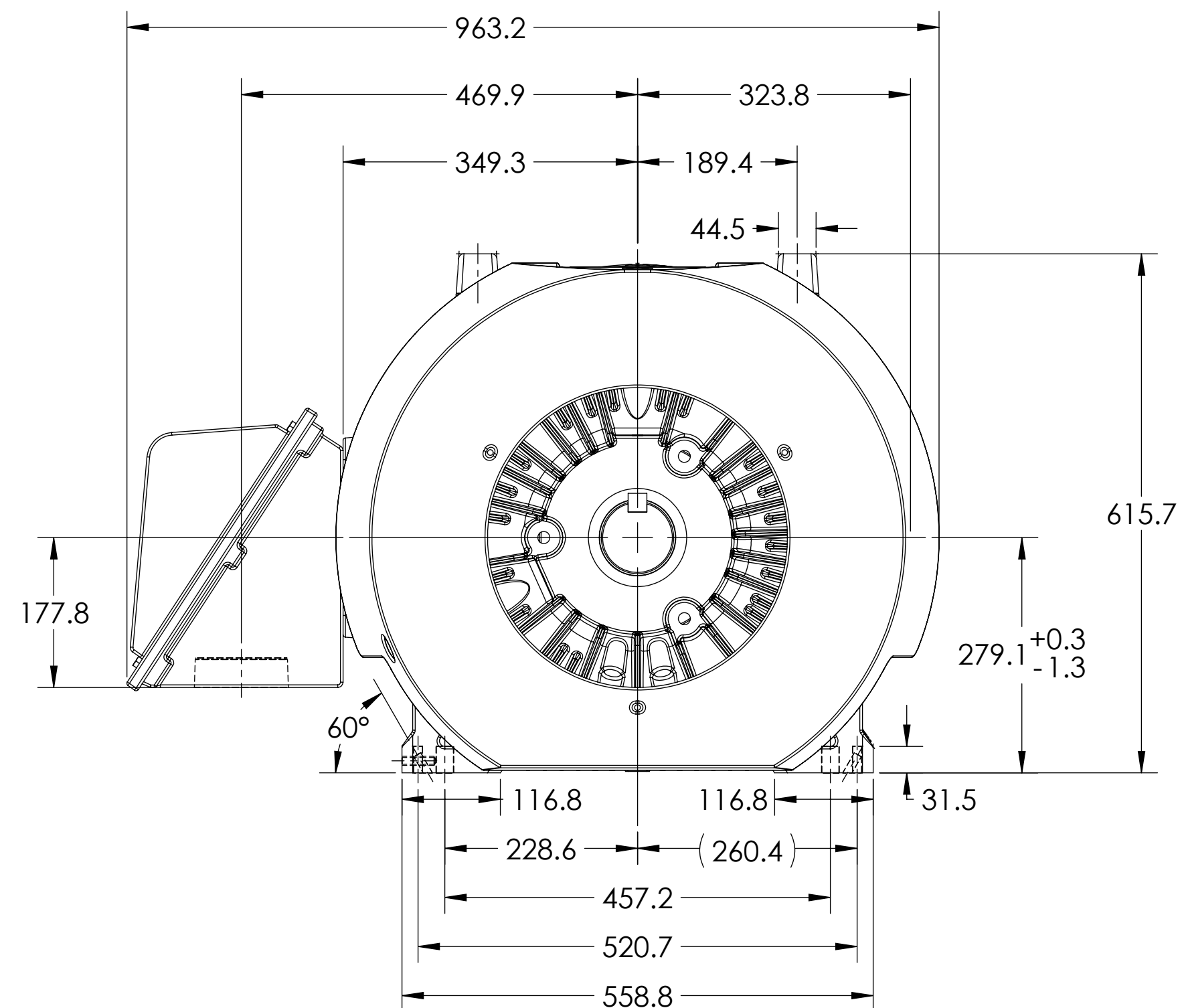
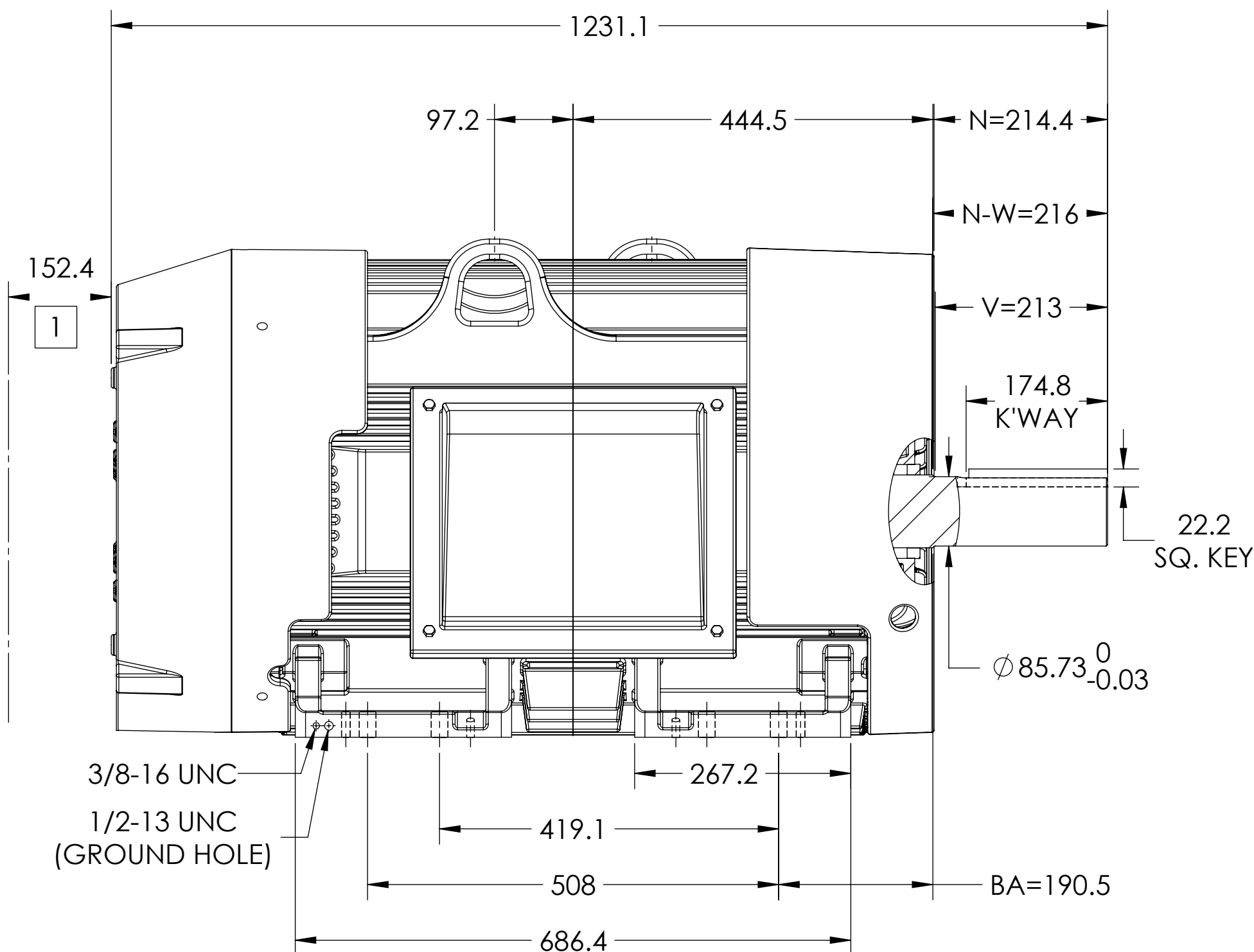
COOLING: FAN COOLED

ENCLOSURE: TOTALLY ENCLOSED

MOUNTING: FOOT, F-1 SIDE

G447T/ G445T FRAME MOUNTING HOLES

ENCLOSURE ENHANCEMENT: 841-XL



1 OBSTRUCTION MUST NOT ENCROACH ON AIR INLET.

IF MOUNTING CLEARANCE DETAILS ARE REQUIRED, CONSULT FACTORY.
MAX PERMISSIBLE SHAFT RUNOUT WHEN MEASURED AT END OF SHAFT EXTENSION IS .04 T.I.R.

DIMENSIONS ARE IN MILLIMETERS.
WEIGHT (KGS): 1141, MOTOR WEIGHTS MAY VARY BY 15% DEPENDING ON RATING.
CUSTOMER IS RESPONSIBLE FOR DETERMINING THAT MOTOR PERFORMANCE IS SUITABLE IN THE APPLICATION.

REV. DESC: NEW DRAWING			
REV: -	VERSION: 00	REVISED: 09:43:08 12/18/2018	TDR: 000001093420
MODEL NO. 617434-662		REF:	
BY: USJEDIL	Material:		

BALDOR

G447/445T TEFC FOOT F1 CI BOX/JACKSCREWS/DOWEL PINS/INPROS