

# DUTY MASTER ALTERNATING CURRENT MOTORS

## SQUIRREL-CAGE INDUCTION

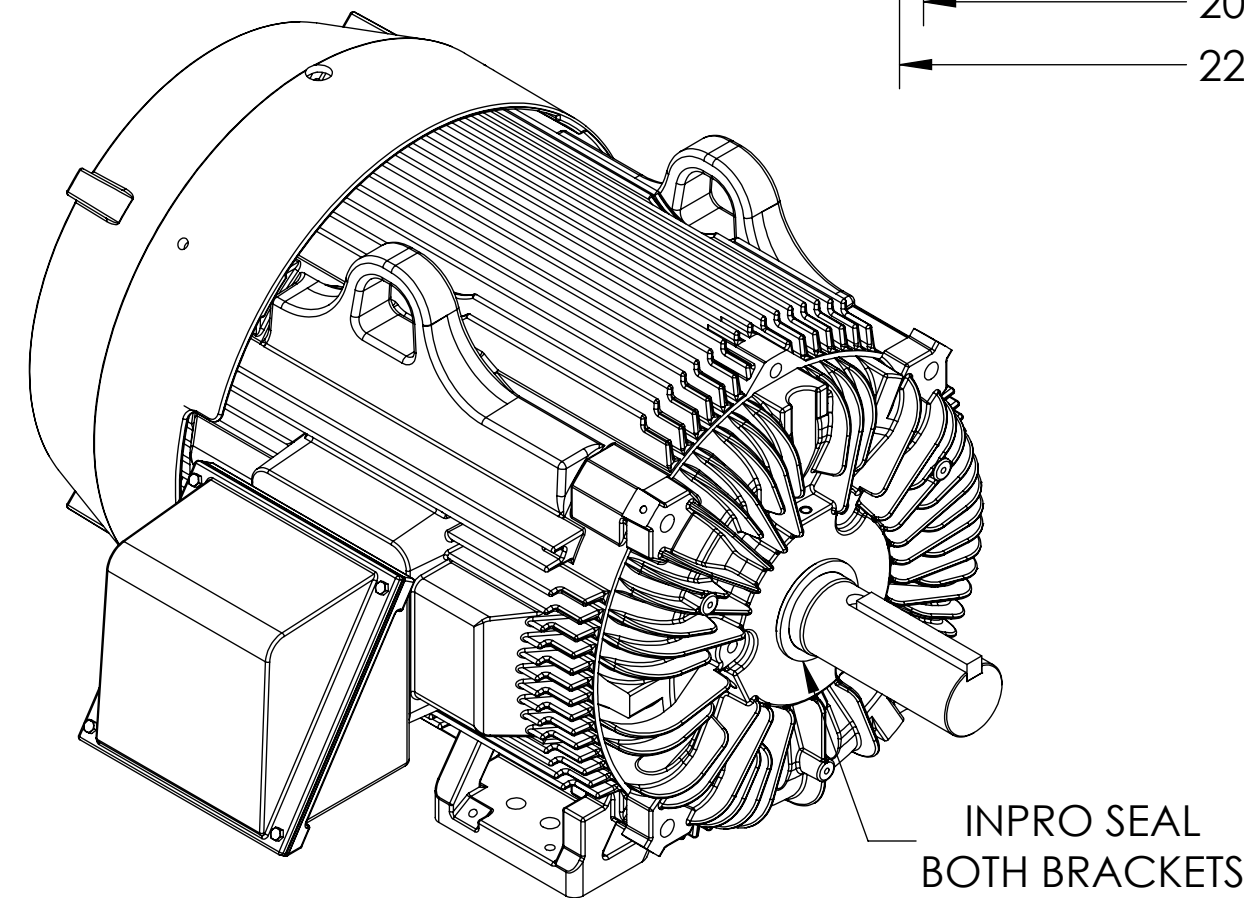
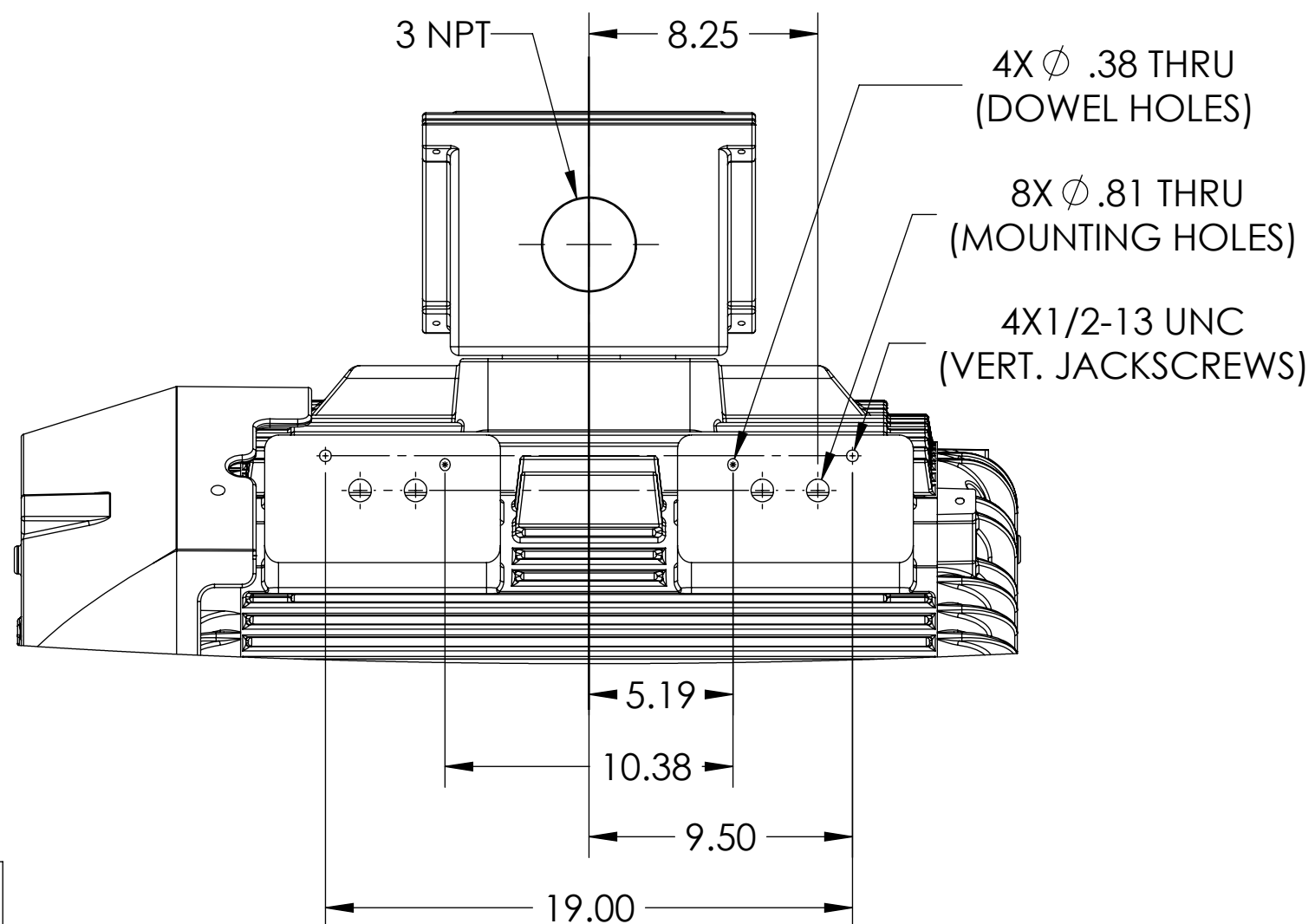
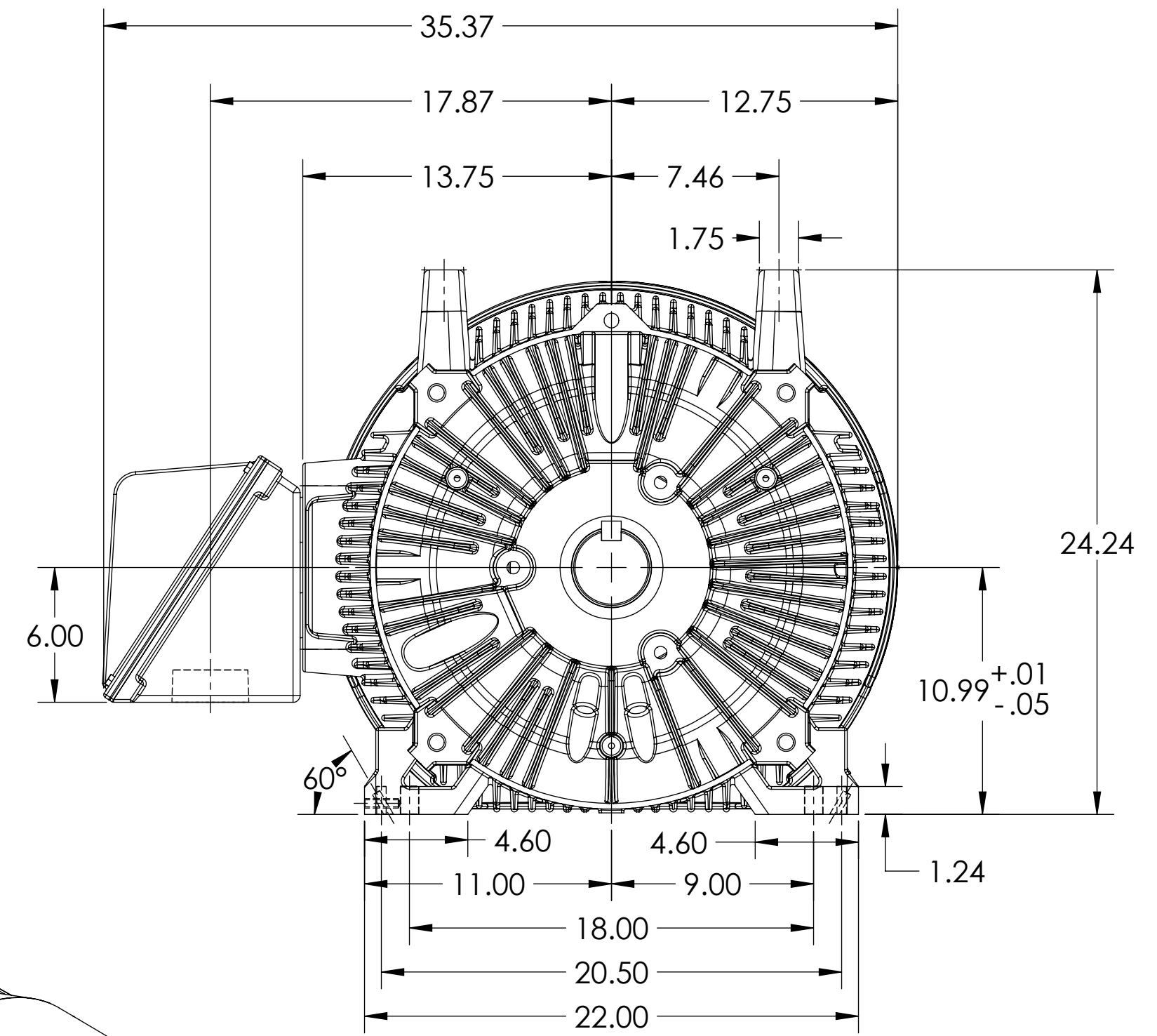
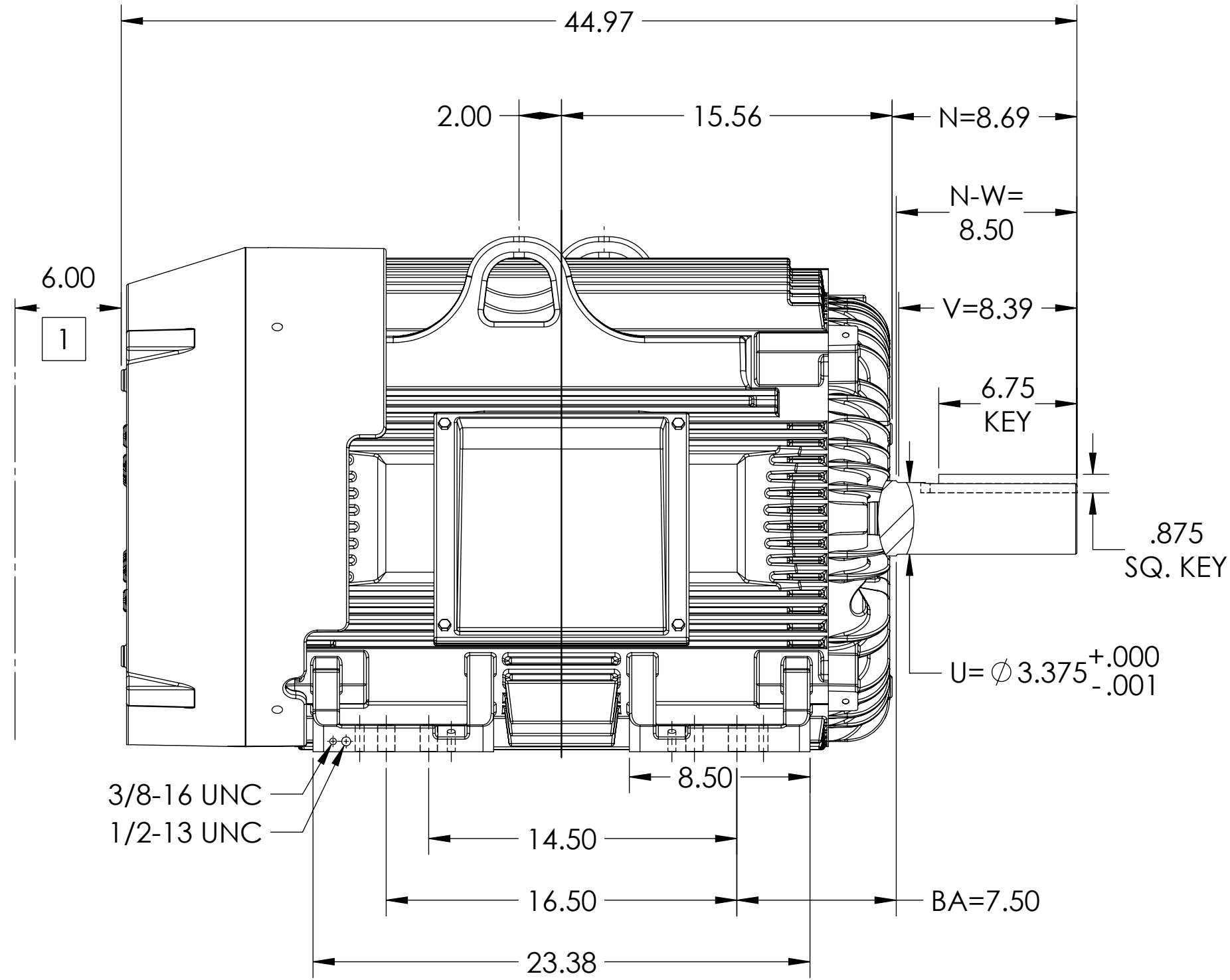
ENCLOSURE: TOTALLY ENCLOSED

COOLING: FAN COOLED

MOUNTING: FOOT, F-1 SIDE

G445T/G444T FRAME MOUNTING HOLES

841-XL ENHANCEMENT



1 OBSTRUCTION MUST NOT ENCROACH ON AIR INLET.

DIMENSIONS ARE IN INCHES.  
 MOTOR WEIGHTS (LBS) = 2130 ± 15% DEPENDING ON RATING.  
 IF MOUNTING CLEARANCE DETAILS ARE REQUIRED, CONSULT FACTORY.  
 MAX PERMISSIBLE SHAFT RUNOUT WHEN MEASURED AT END OF STANDARD SHAFT EXTENSION IS .0015 T.I.R.(BALL) OR .002 T.I.R.(ROLLER)  
 CUSTOMER IS RESPONSIBLE FOR DETERMINING THAT MOTOR PERFORMANCE IS SUITABLE IN THE APPLICATION.

REV. DESC: UPDATE KEY LENGTH			
REV: B	VERSION: 02	REVISED: 09:30:35 07/11/2019	TDR: 000001113637
MODEL NO. 617434-660		REF:	
BY: RAGJSS1	Material:	C	

# BALDOR

G445/444T TEFC F1 FOOT/CI BOX/JACKSCREWS/DOWEL PINS/INPROS

# DUTY MASTER ALTERNATING CURRENT MOTORS

## SQUIRREL-CAGE INDUCTION

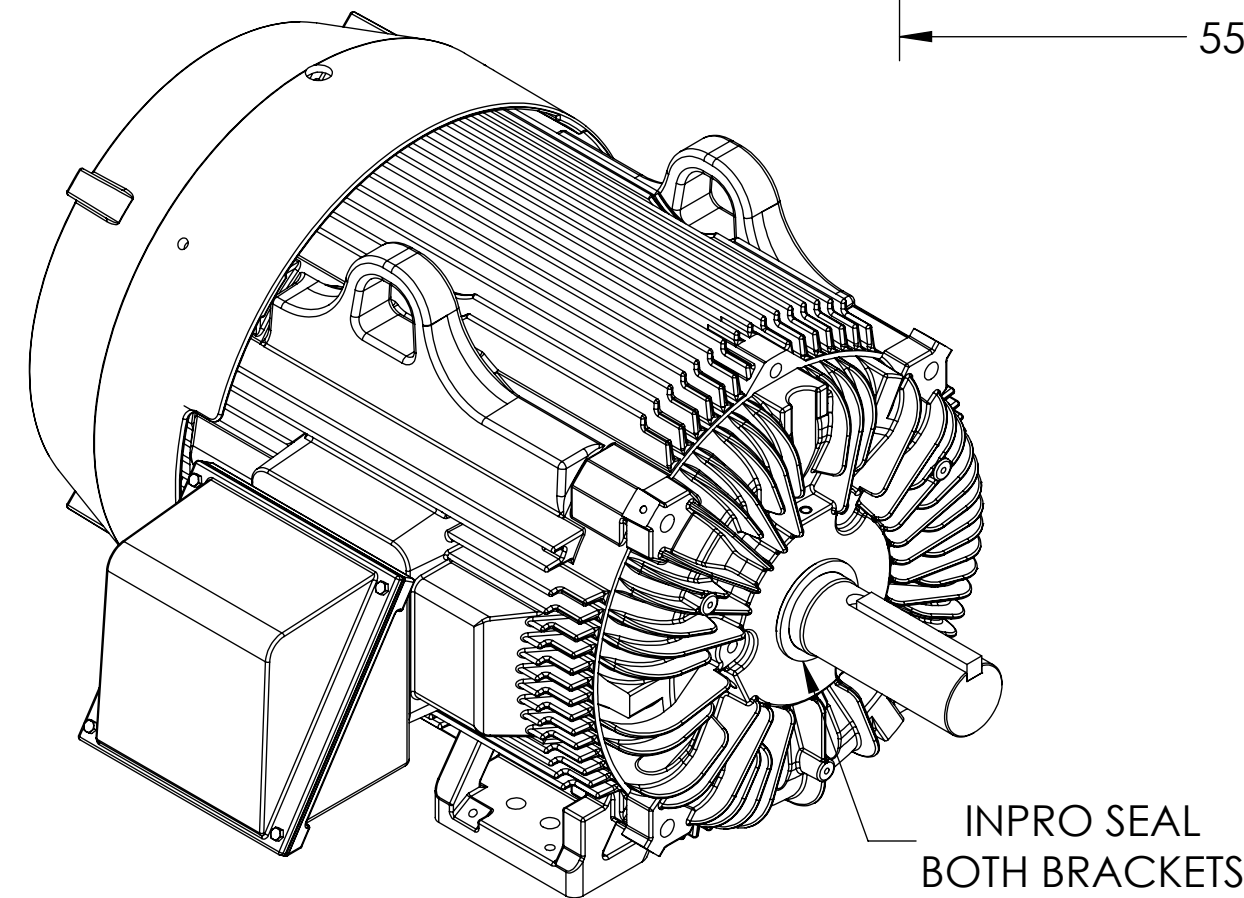
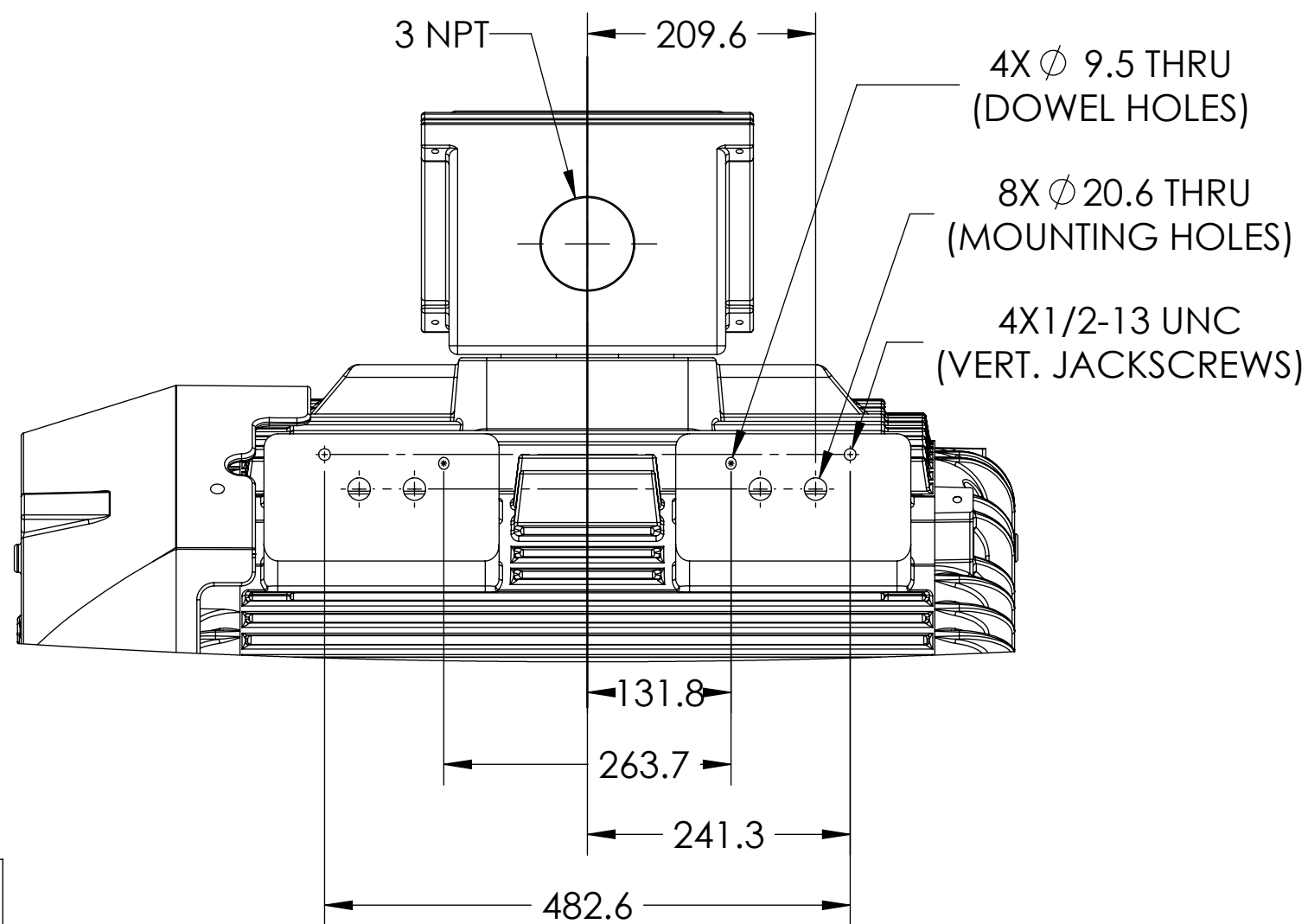
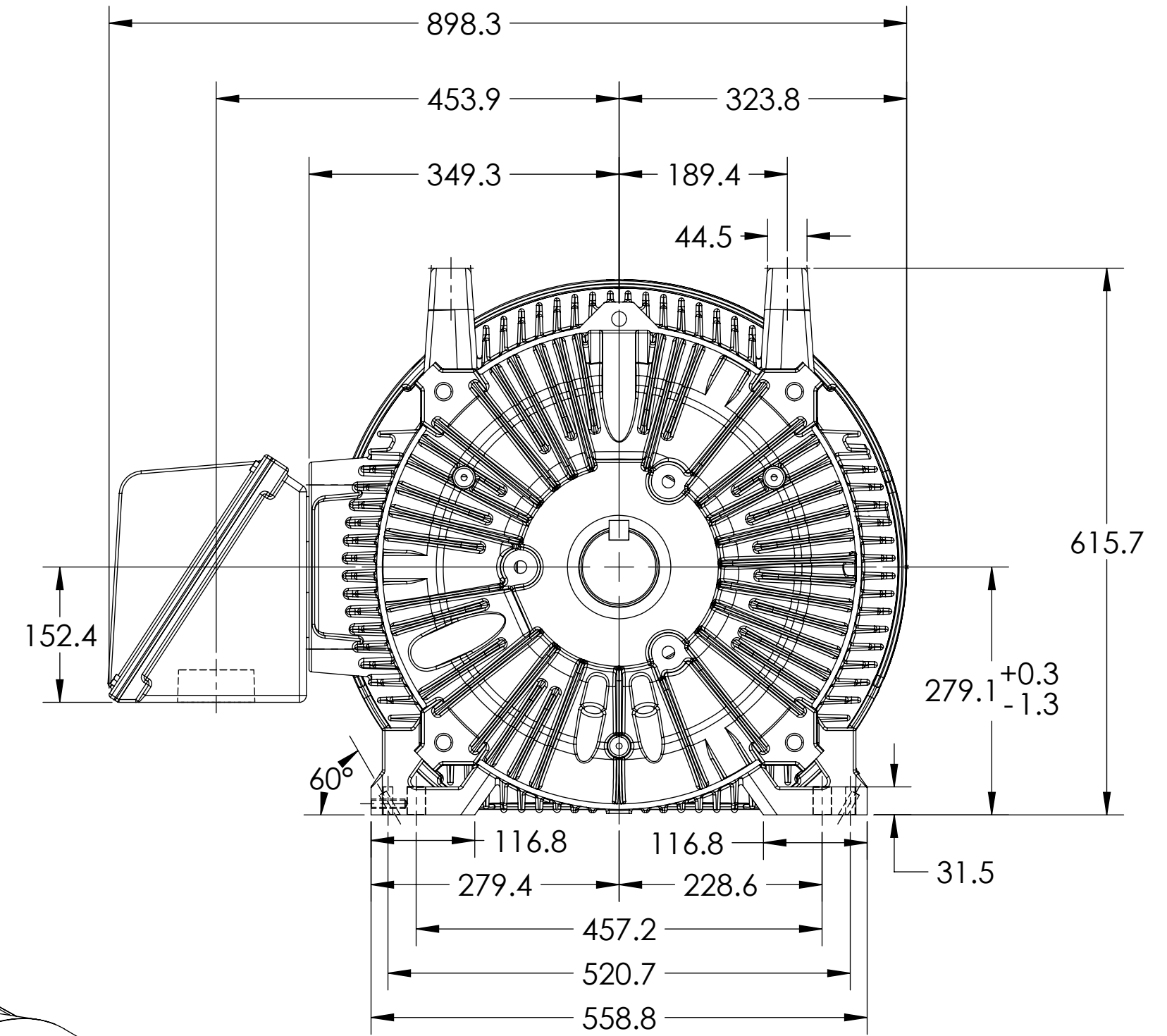
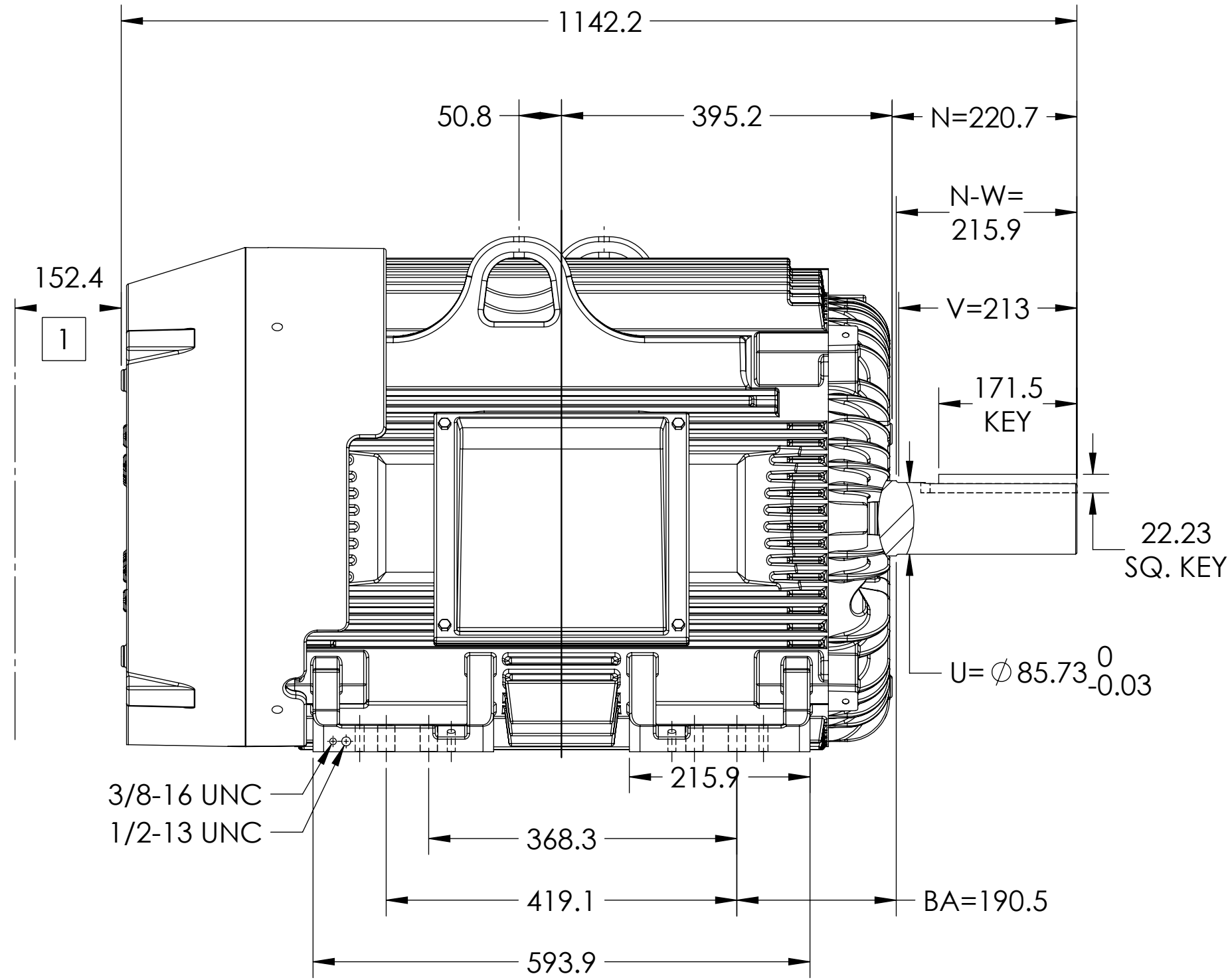
ENCLOSURE: TOTALLY ENCLOSED

COOLING: FAN COOLED

MOUNTING: FOOT, F-1 SIDE

G445T/G444T FRAME MOUNTING HOLES

841-XL ENHANCEMENT



1 OBSTRUCTION MUST NOT ENCROACH ON AIR INLET.

DIMENSIONS ARE IN MILLIMETERS.  
MOTOR WEIGHTS (KGS) = 970 ± 15% DEPENDING ON RATING.  
IF MOUNTING CLEARANCE DETAILS ARE REQUIRED, CONSULT FACTORY.  
MAX PERMISSIBLE SHAFT RUNOUT WHEN MEASURED AT END OF STANDARD SHAFT EXTENSION IS .04 T.I.R.(BALL) OR .05 T.I.R.(ROLLER)  
CUSTOMER IS RESPONSIBLE FOR DETERMINING THAT MOTOR PERFORMANCE IS SUITABLE IN THE APPLICATION.

REV. DESC: UPDATE KEY LENGTH			
REV: B	VERSION: 02	REVISED: 09:30:35 07/11/2019	TDR: 000001113637
MODEL NO. 617434-660			REF:
BY: RAGJSS1	Material:		

# BALDOR

G445/444T TEFC F1 FOOT/CI BOX/JACKSCREWS/DOWEL PINS/INPROS