

DUTY MASTER ALTERNATING CURRENT MOTORS

SQUIRREL-CAGE INDUCTION

ENCLOSURE: TOTALLY ENCLOSED

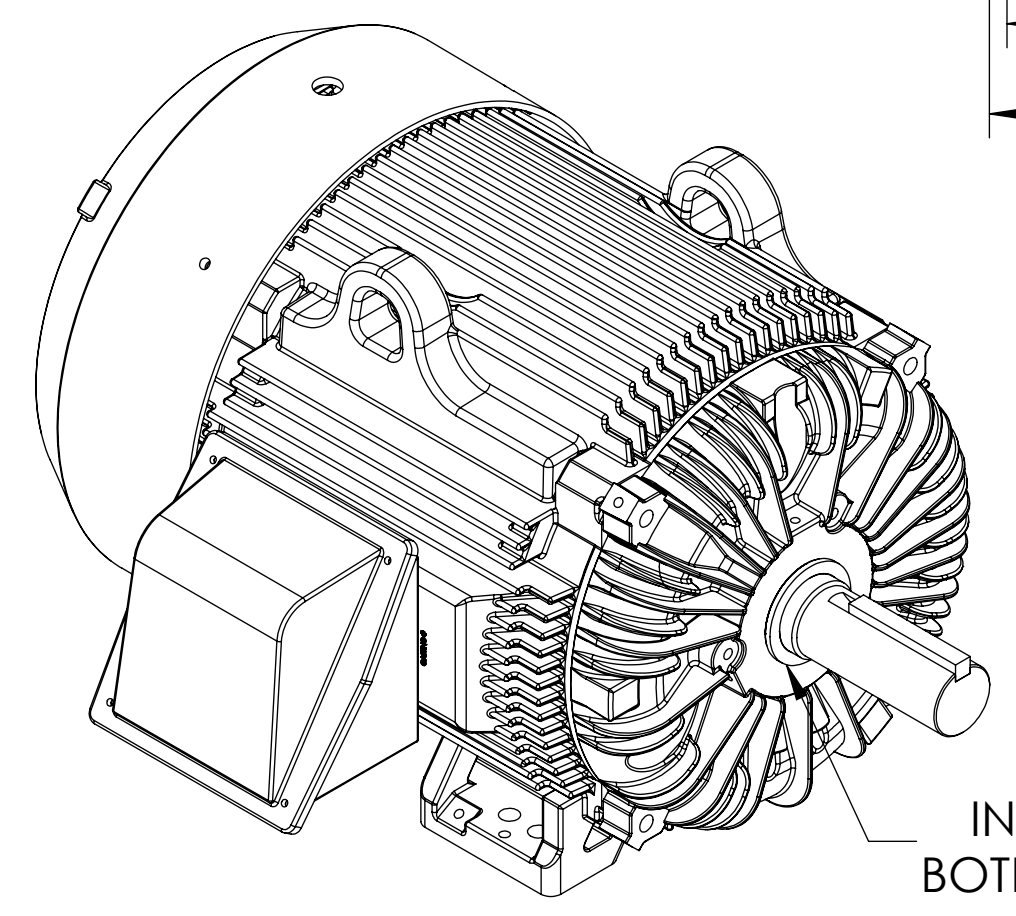
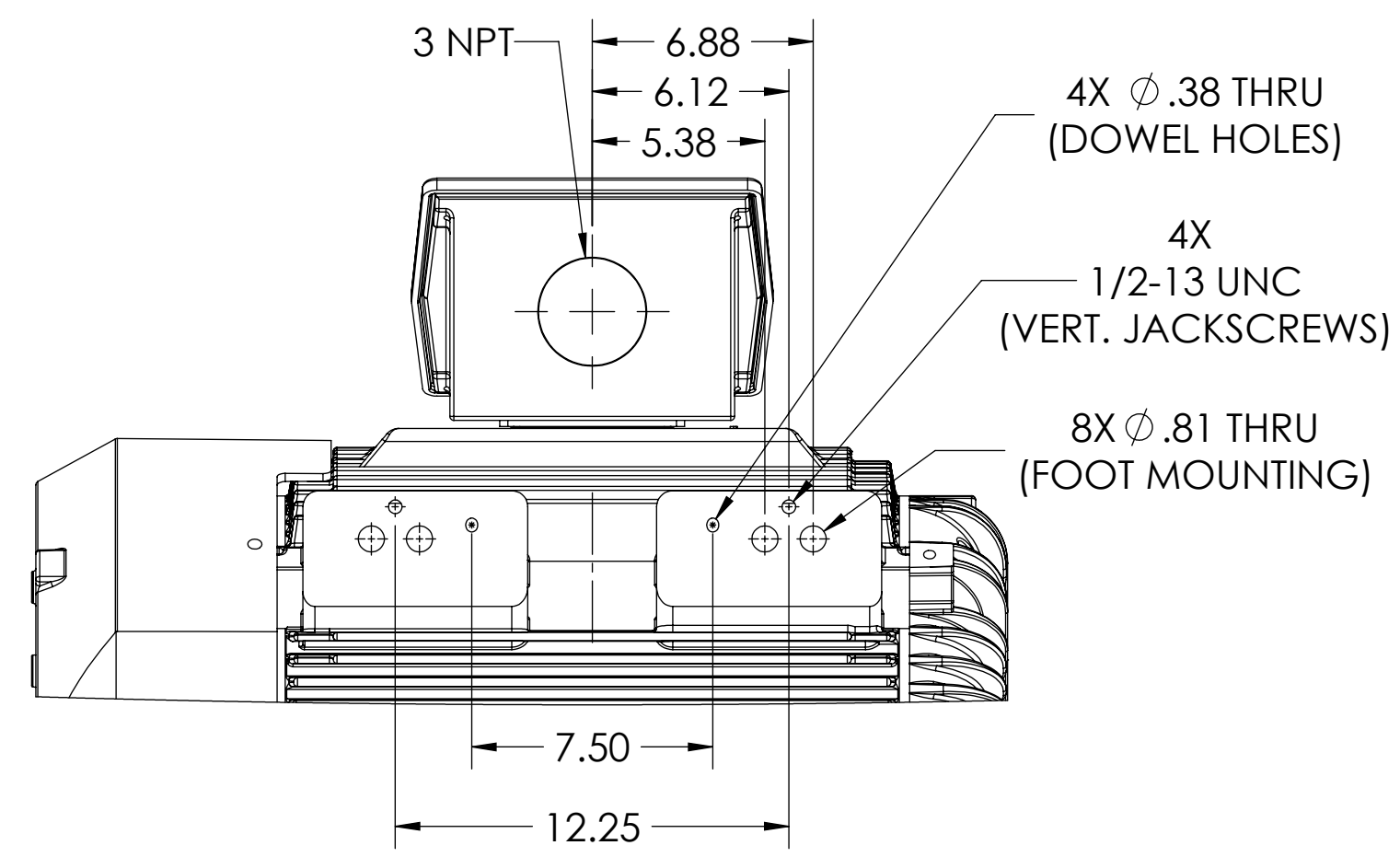
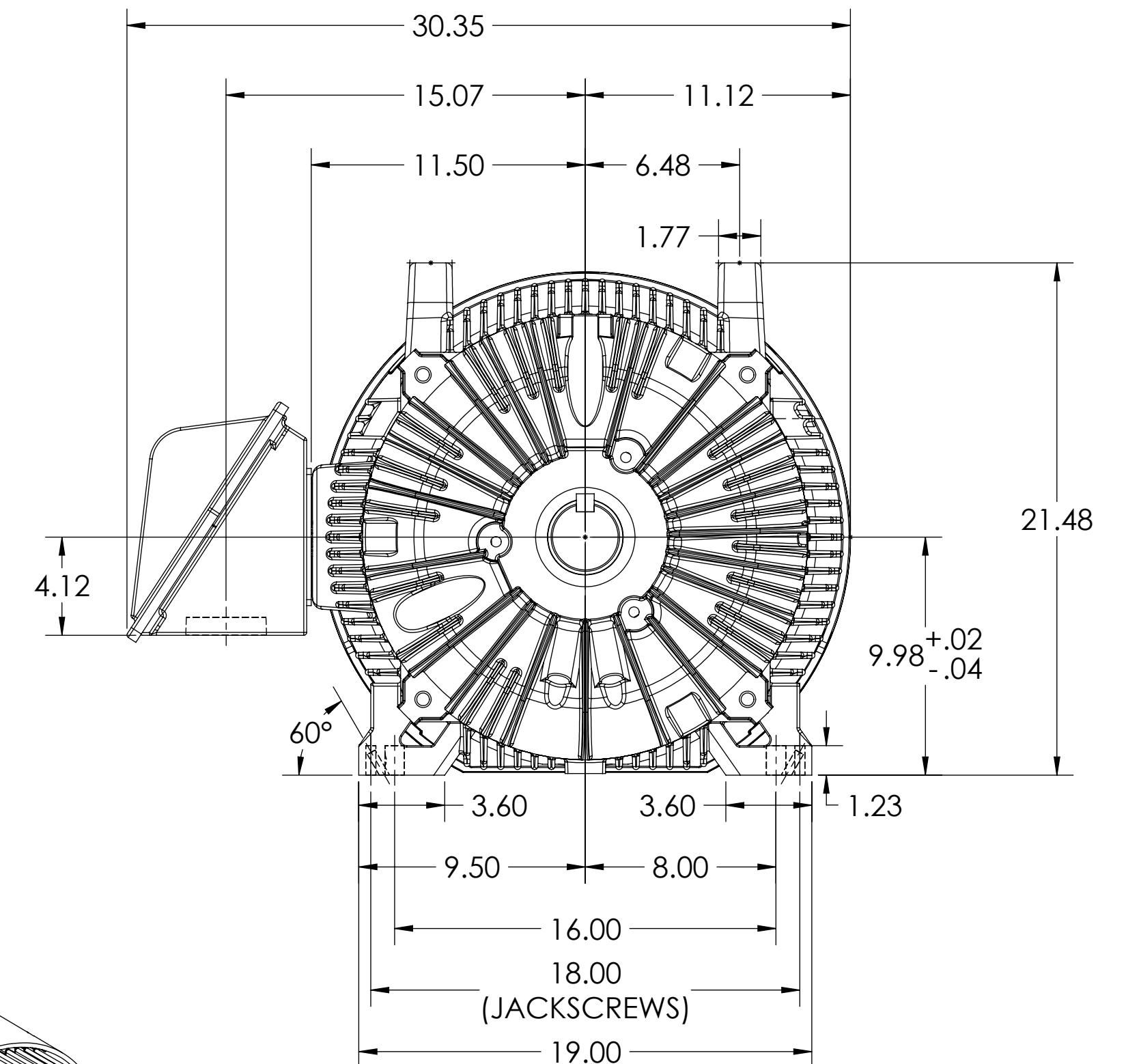
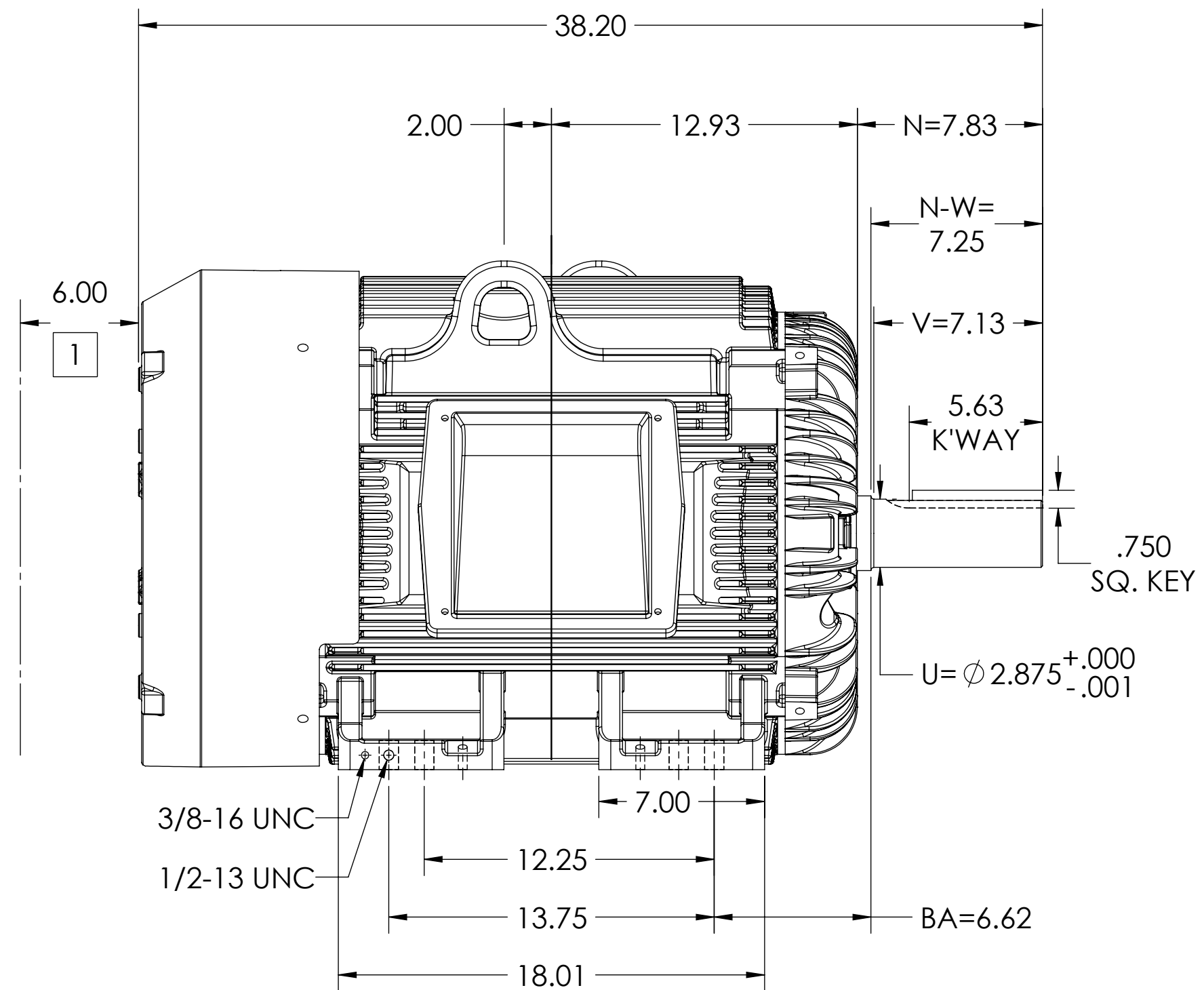
COOLING: FAN COOLED

MOUNTING: FOOT, F-1

G405T/G404T FRAME MOUNTING HOLES

ENCLOSURE ENHANCEMENT: 841-XL

DOWEL HOLES & VERTICAL JACKSCREWS



DIMENSIONS ARE IN INCHES.
 MOTOR WEIGHT (LBS) = 1350 ± 15% DEPENDING ON RATING.
 CUSTOMER IS RESPONSIBLE FOR DETERMINING THAT MOTOR PERFORMANCE IS SUITABLE IN THE APPLICATION.

1 OBSTRUCTION MUST NOT ENCROACH ON AIR INLET.

IF MOUNTING CLEARANCE DETAILS ARE REQUIRED, CONSULT FACTORY.
 MAX PERMISSIBLE SHAFT RUNOUT WHEN MEASURED AT END OF STANDARD SHAFT EXTENSION IS .0015 T.I.R.

REV. DESC: UPDATE DS QUALITY			
REV: A	VERSION: 01	REVISED: 03:54:34 12/04/2018	TDR: 000001092781
MODEL NO. 617429-818		REF:	
BY: USJEDIL	Material:	C	

BALDOR

G405/404T TEFC F1 FOOT CI BOX/DOWEL HOLES/JACKSCREWS/INPROS