

DUTY MASTER ALTERNATING CURRENT MOTORS

SQUIRREL-CAGE INDUCTION

COOLING: FAN COOLED

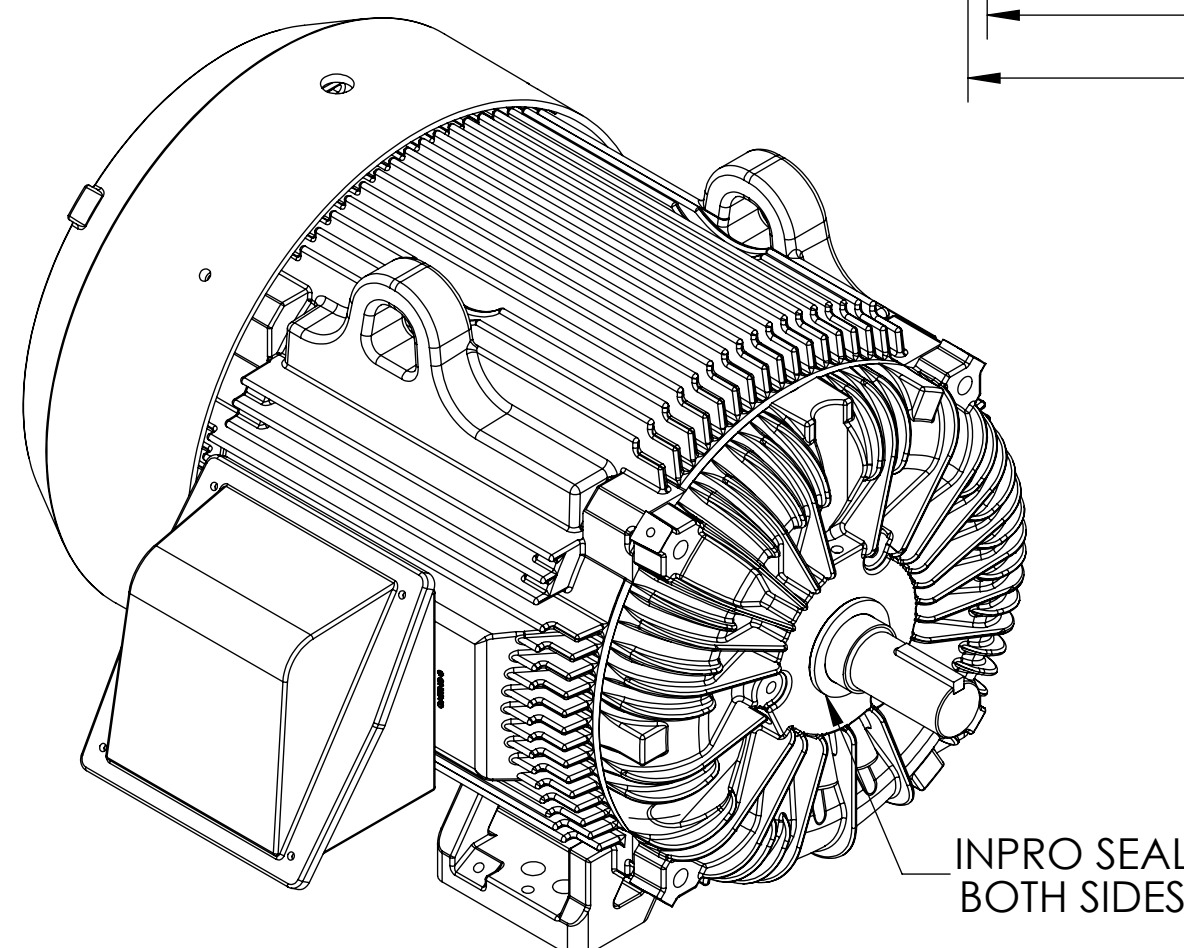
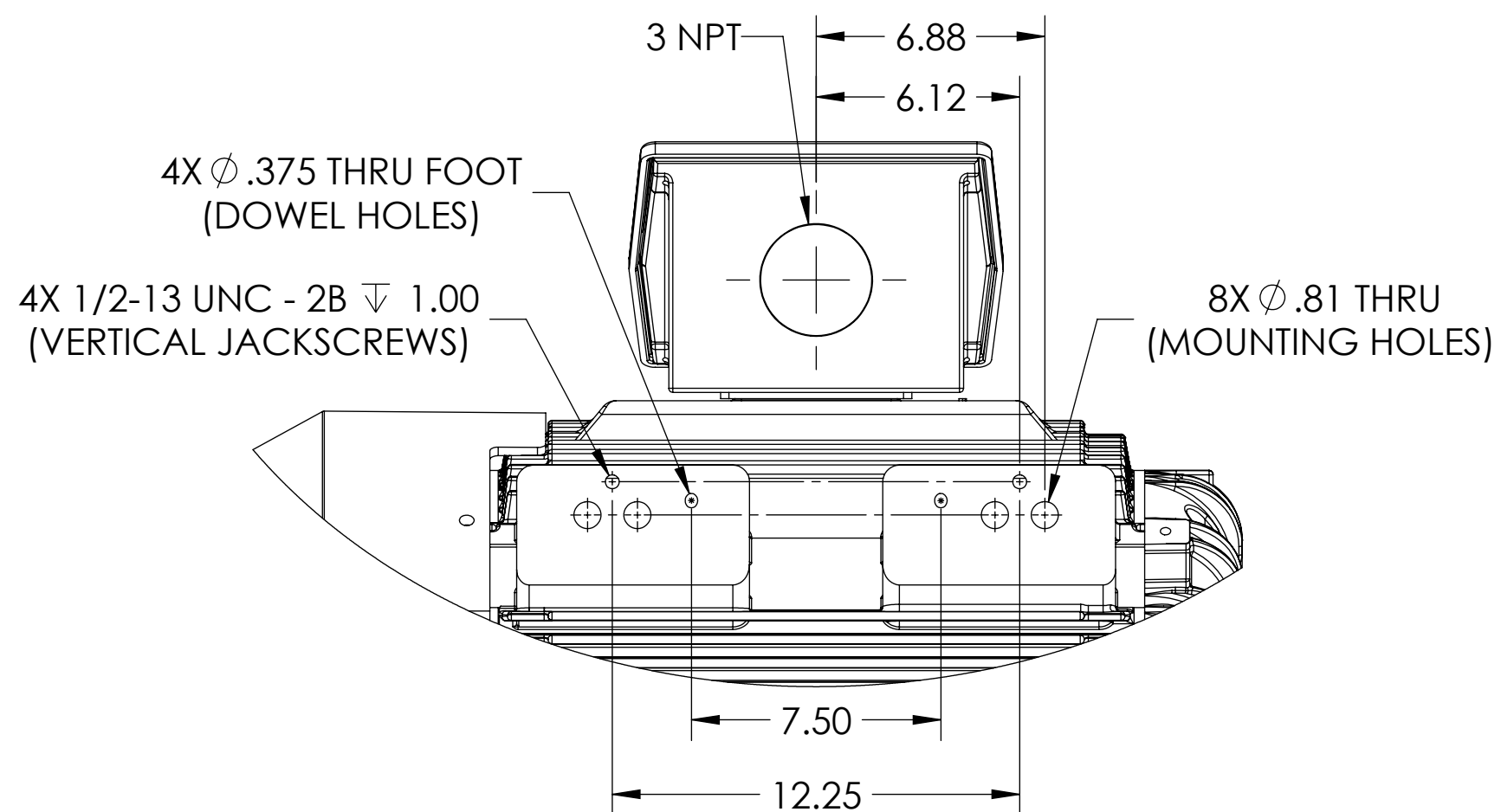
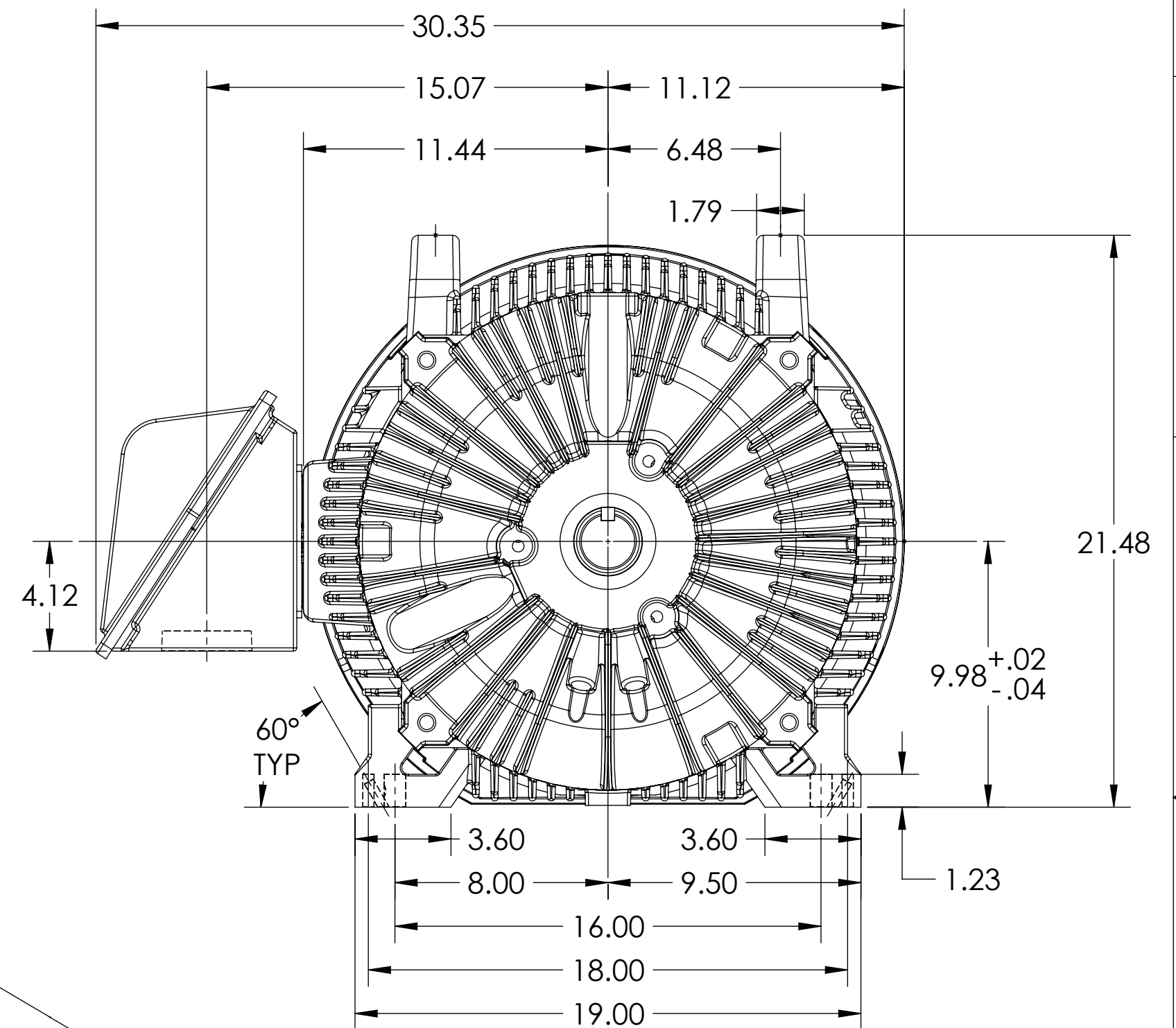
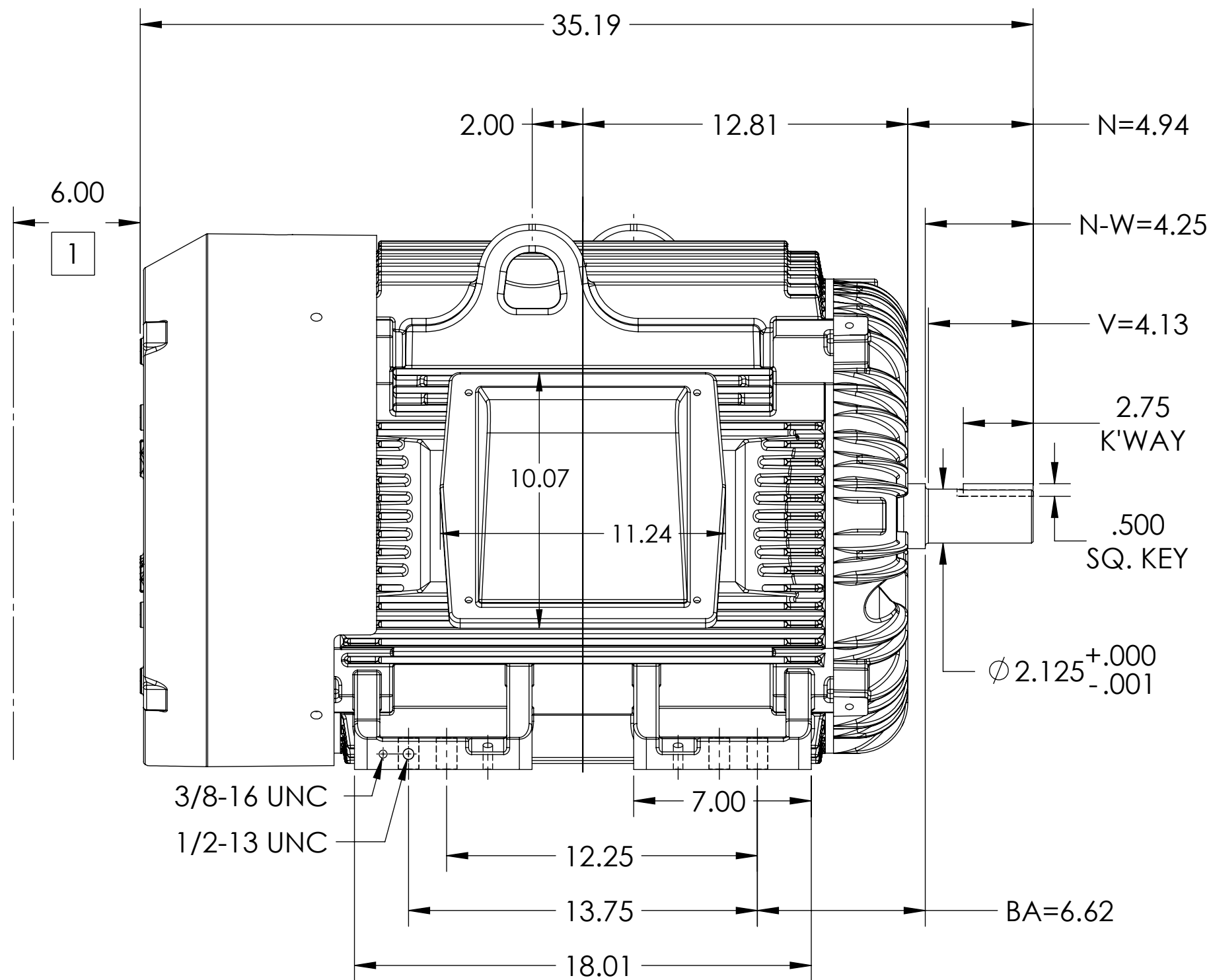
ENCLOSURE: TOTALLY ENCLOSED

MOUNTING: FOOT, F-1 SIDE

G405TS/G404TS FRAME MOUNTING HOLES

841-XL ENCLOSURE ENHANCEMENT

DOWEL HOLES & JACKSCREWS



DIMENSIONS ARE IN INCHES.
WEIGHT (LBS): 1370 MAY VARY BY 15% DEPENDING ON RATING.
CUSTOMER IS RESPONSIBLE FOR DETERMINING THAT MOTOR PERFORMANCE IS SUITABLE IN THE APPLICATION.

REV. DESC: DS QUALITY			
REV: A	VERSION: 01	REVISED: 01:21:23 12/04/2018	TDR: 000001092776
MODEL NO. 617429-791		REF:	
BY: USJEDIL	Material:	C	

BALDOR

G405/404TS TEFC F1 FOOT CI BOX/INPROS/JACKSCREWS/DOWEL HOLES

1 OBSTRUCTION MUST NOT ENCROACH ON AIR INLET

IF MOUNTING CLEARANCE DETAILS ARE REQUIRED, CONSULT FACTORY.
MAX PERMISSIBLE SHAFT RUNOUT WHEN MEASURED AT END OF STANDARD SHAFT EXTENSION IS .0015" T.I.R.

SHEET NUMBER
1 OF 1

617429-791