

# DUTY MASTER ALTERNATING CURRENT MOTORS

SQUIRREL-CAGE INDUCTION

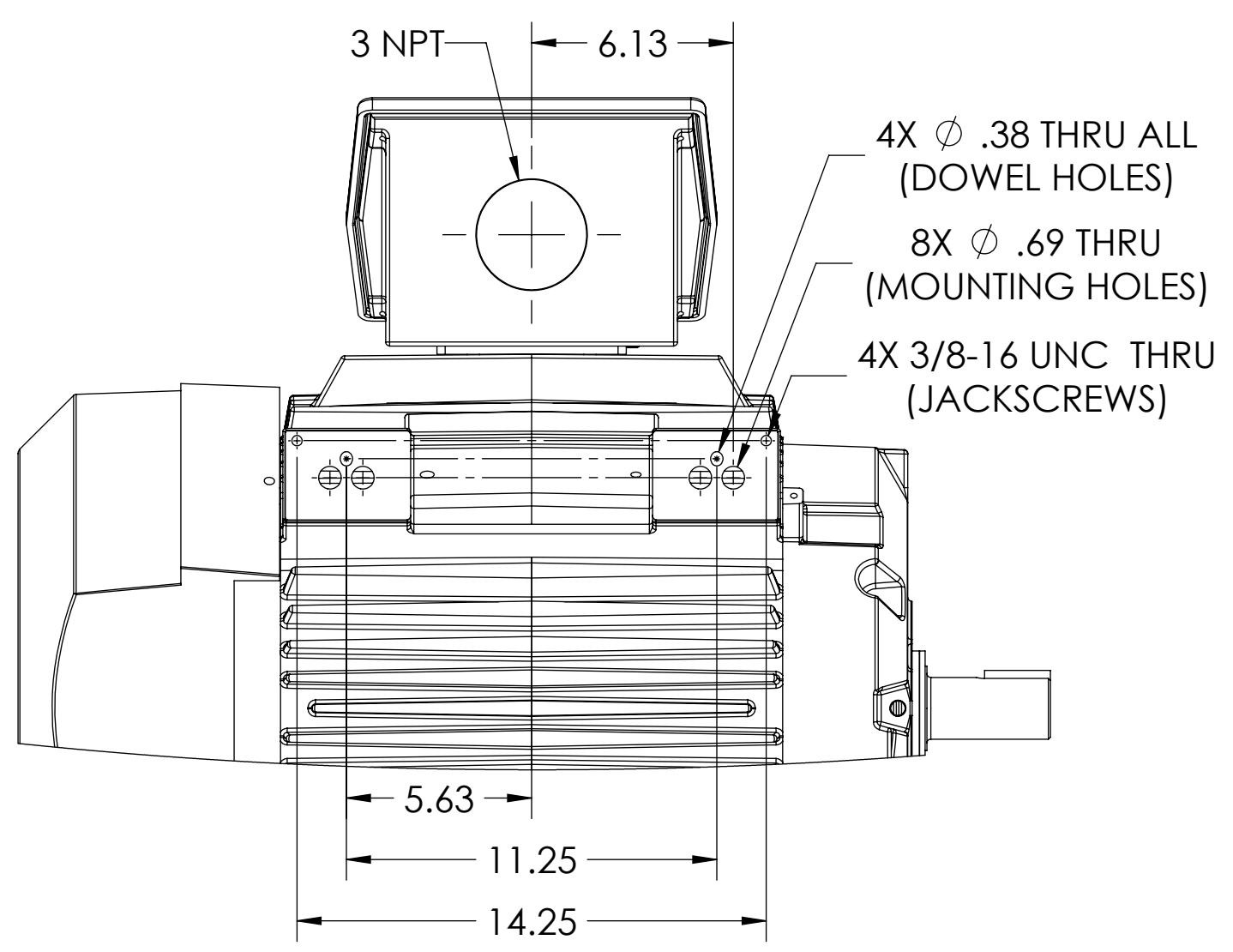
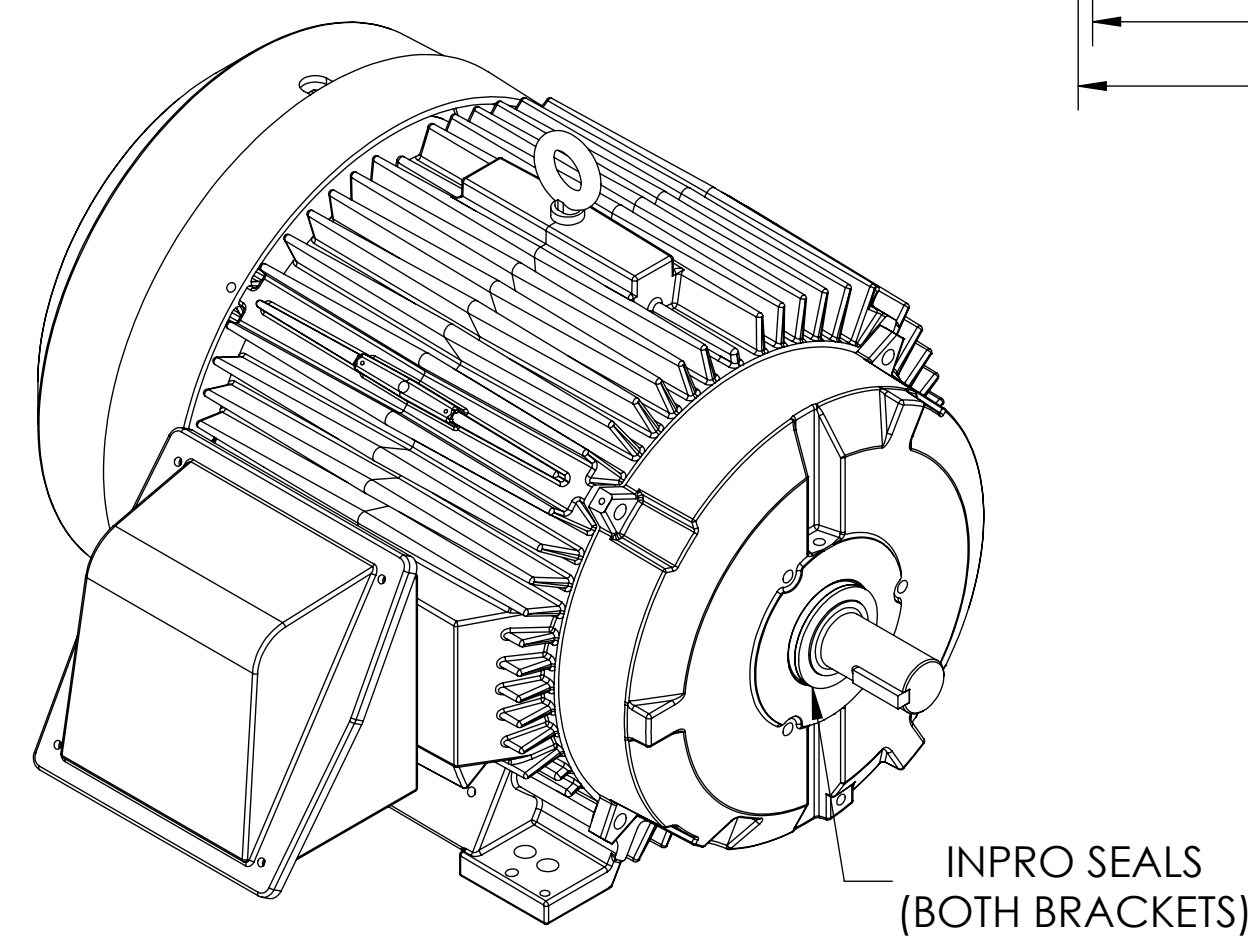
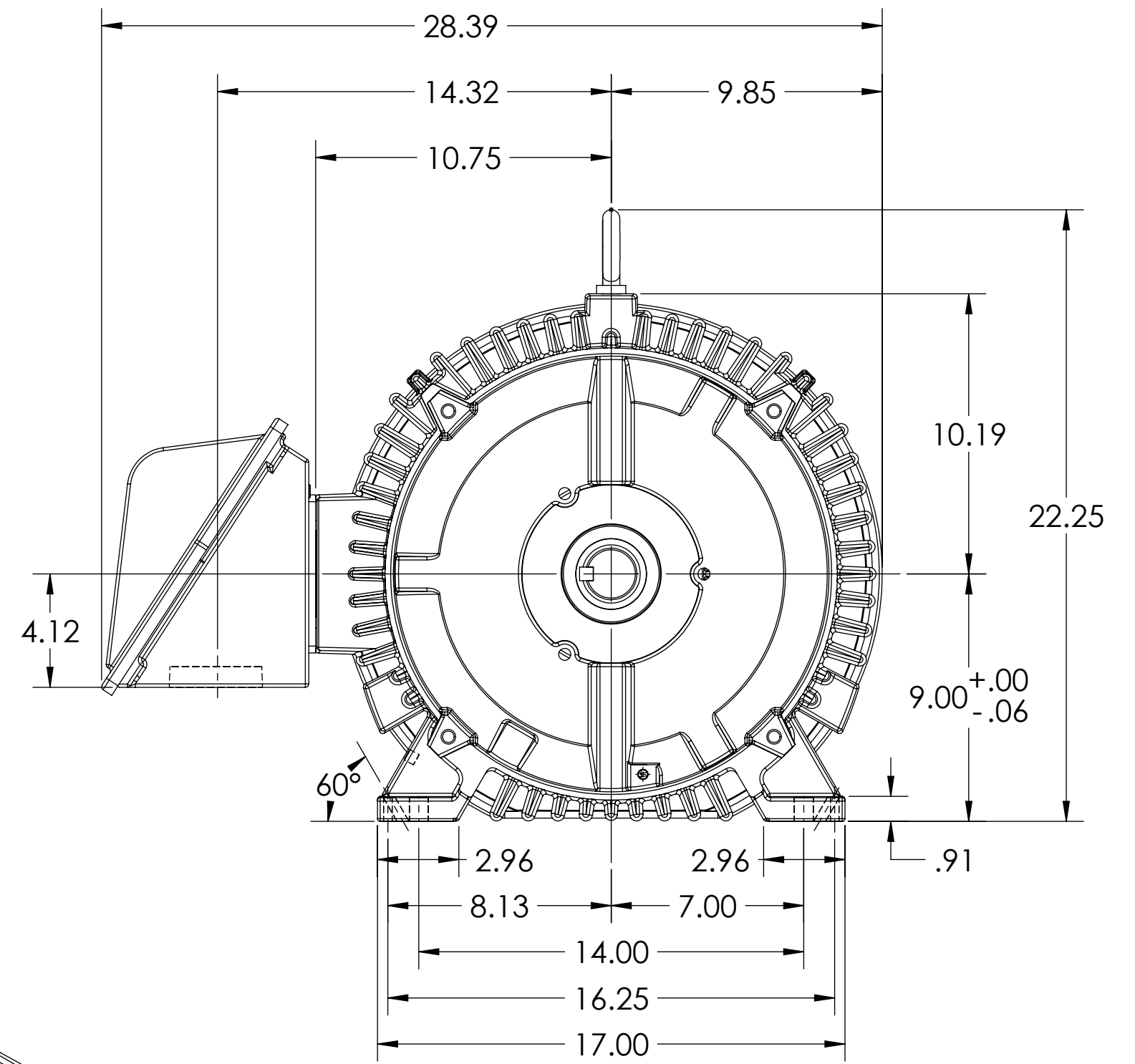
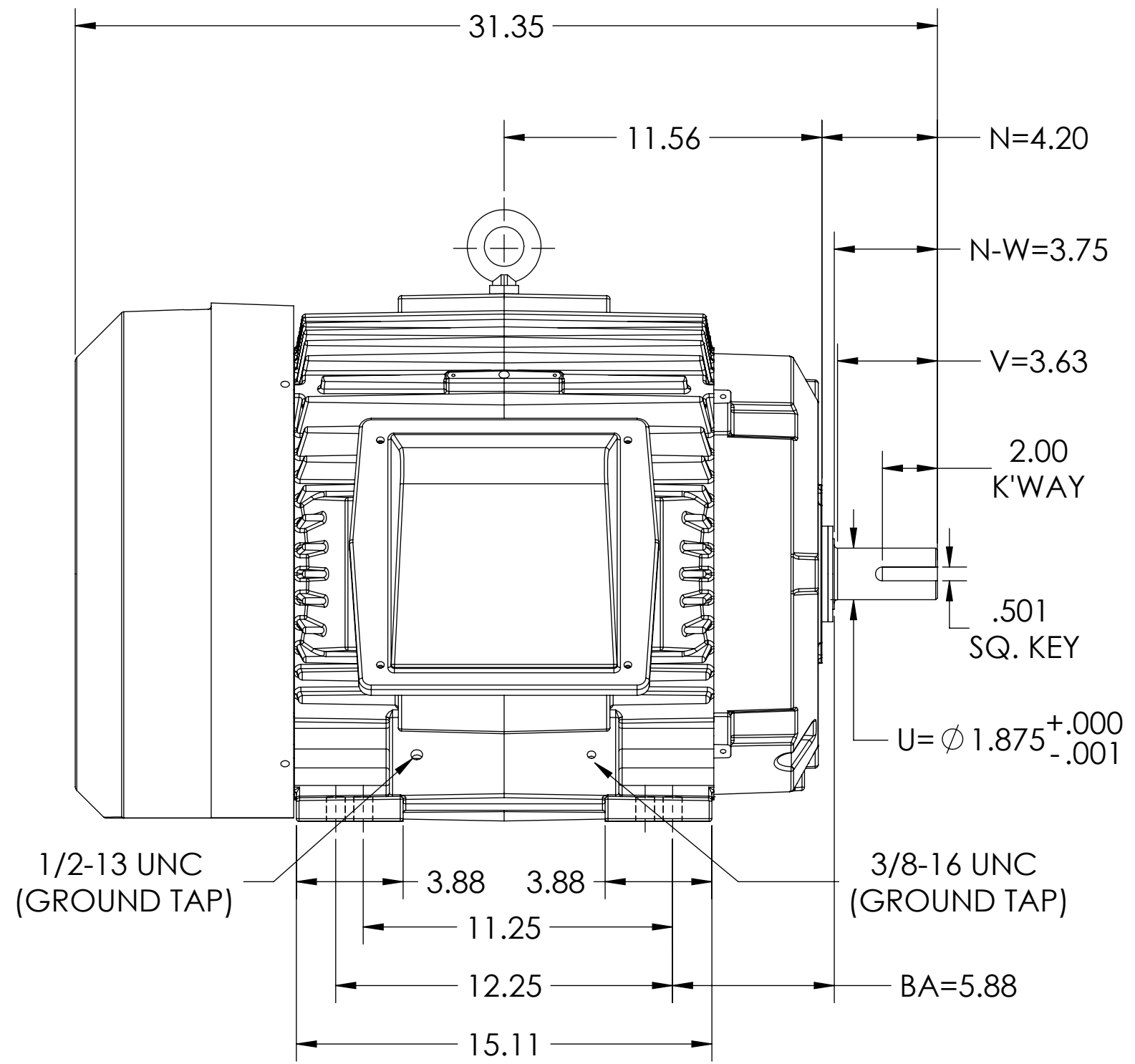
ENCLOSURE: TOTALLY ENCLOSED

COOLING: FAN COOLED

MOUNTING: FOOT, F-1 SIDE

E365TS/E364TS FRAME MOUNTING HOLES

ENCLOSURE ENHANCEMENT: 841-XL



DIMENSIONS ARE IN INCHES.  
CUSTOMER IS RESPONSIBLE FOR DETERMINING THAT MOTOR PERFORMANCE IS SUITABLE IN THE APPLICATION.

REV. DESC: ADDING DOWEL PROVISIONS			
REV: A	VERSION: 01	REVISED:01:56:22 05/20/2019	TDR: 000001108841
MODEL NO. 617428-510			
BY:USJEDIL			

## BALDOR

E365/364TS TEFC FOOT F1/CI BOX/INPROS/DOWELS & JACKSCREWS

IF MOUNTING CLEARANCE DETAILS ARE REQUIRED, CONSULT FACTORY.  
MAX PERMISSIBLE SHAFT RUNOUT WHEN MEASURED AT END OF STANDARD SHAFT EXTENSION IS .0015" T.I.R.