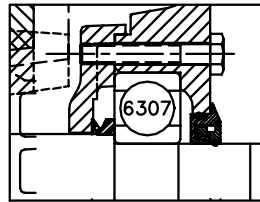
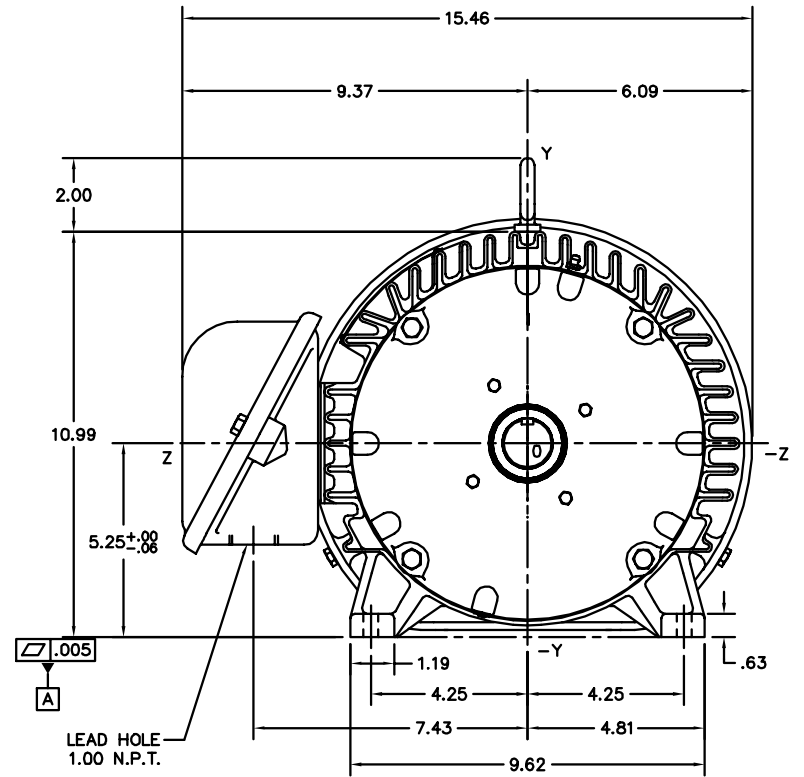


FRONT END DETAIL



PULLEY END DETAIL



| SPEC          | MOTOR WEIGHT | C.O.G. FROM CENTERLINE |
|---------------|--------------|------------------------|
| 07K629X813G32 | 231 LBS      | X=.01, Y=.48, Z=.24    |

CUSTOMER IS RESPONSIBLE FOR DETERMINING THAT BALDOR'S PRODUCT WILL PERFORM SUITABLY IN THE INTENDED APPLICATION.

|                                |                             |                   |
|--------------------------------|-----------------------------|-------------------|
| REV. DESC: ADD X, Y, Z & 0,0,0 | VERSION: 07                 | TDR: 000000996213 |
| REV. LTR: G                    | REVISD: 03:23:06 09/08/2016 | BY: ENALEMO       |
| FILE: \AAA\00118\406           | MTL: -                      |                   |

**BALDOR**

STD HORZ 213-5T TEFC 07M (ECP) IEEEB41

SH 1 of 1