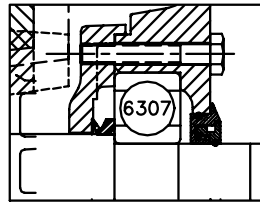
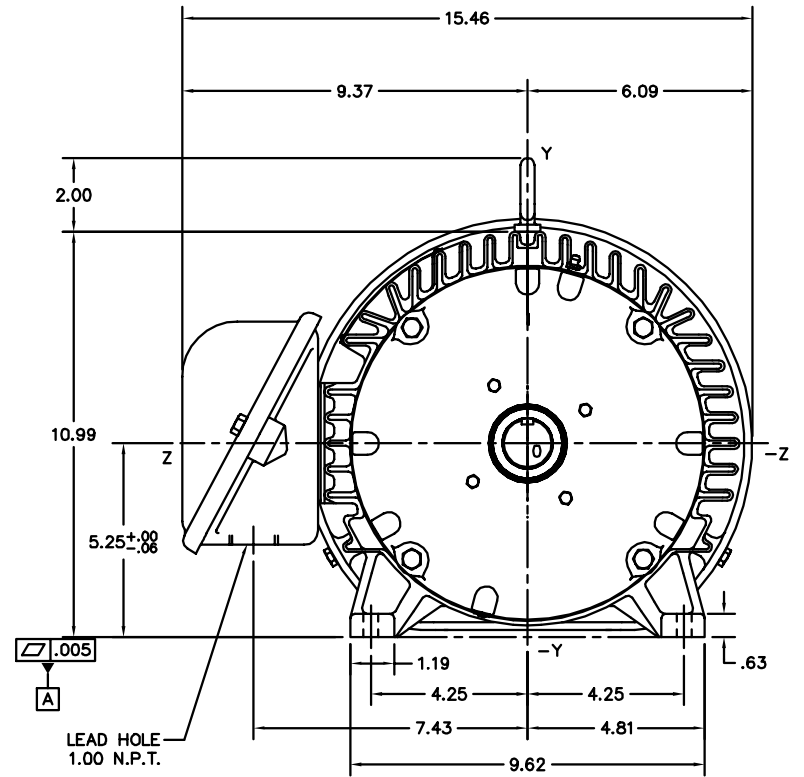


FRONT END DETAIL



PULLEY END DETAIL



SPEC	MOTOR WEIGHT	C.O.G. FROM CENTERLINE
07K629X813G32	231 LBS	X=.01, Y=.48, Z=.24

CUSTOMER IS RESPONSIBLE FOR DETERMINING THAT BALDOR'S PRODUCT WILL PERFORM SUITABLY IN THE INTENDED APPLICATION.

REV. DESC: ADD X, Y, Z & 0,0,0	VERSION: 07	TDR: 000000996213
REV. LTR: G	REVISED: 03:23:06 09/08/2016	BY: ENALEMO
FILE: \AAA\00118\406	MTL: -	

BALDOR

STD HORZ 213-5T TEFC 07M (ECP) IEEEB41

SH 1 of 1