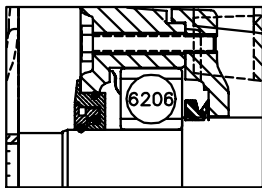
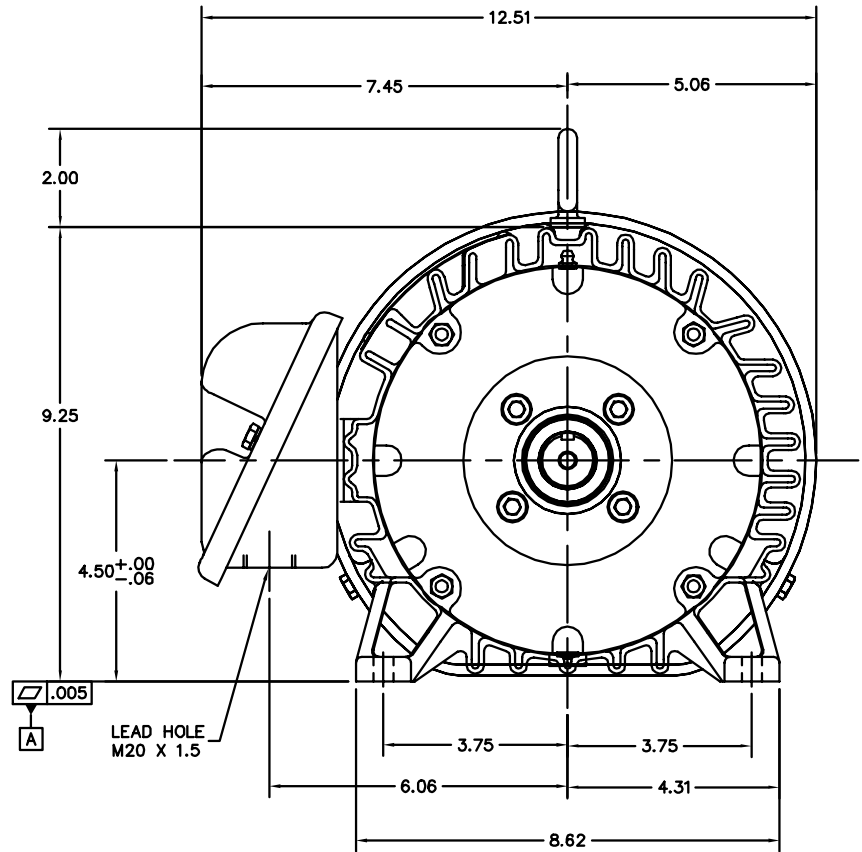
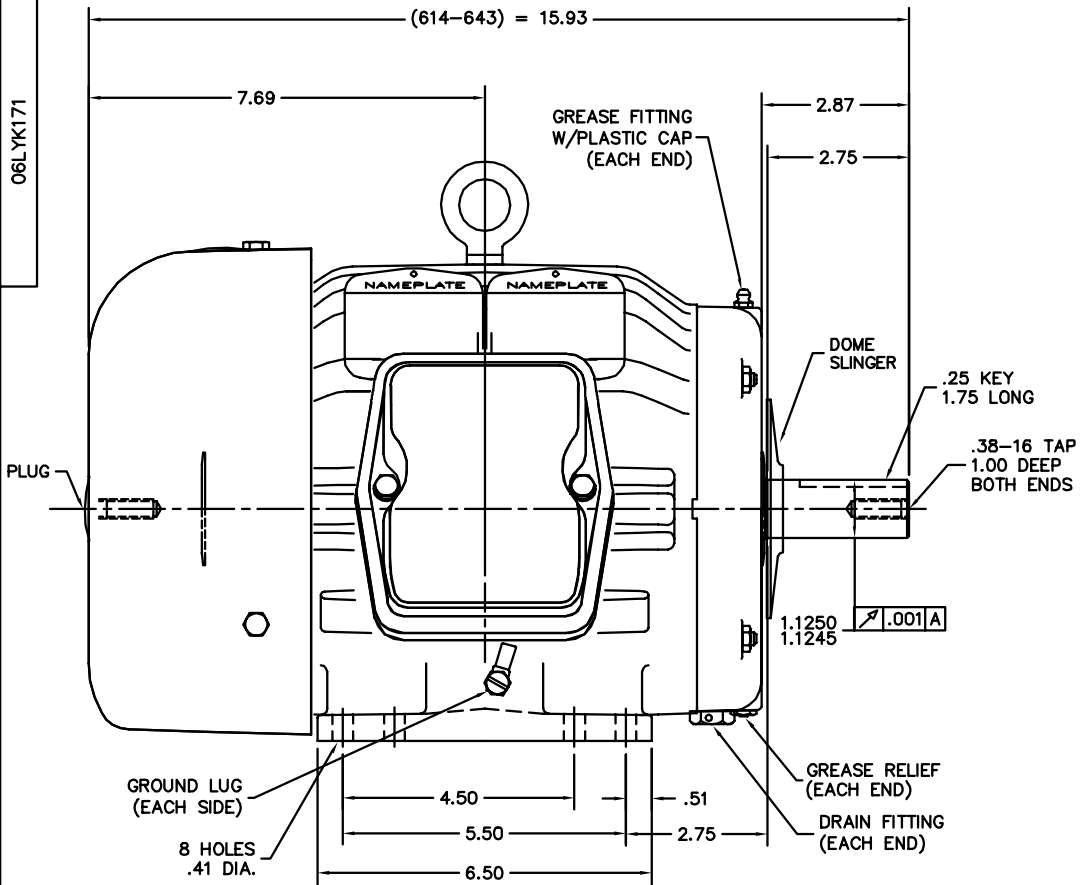
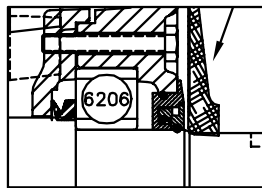


06LYK171



FRONT END DETAIL



PULLEY END DETAIL

CUSTOMER IS RESPONSIBLE FOR DETERMINING THAT BALDOR'S PRODUCT WILL PERFORM SUITABLY IN THE INTENDED APPLICATION.

REV. DESC: ADDED DOME SLINGER		
REV. LTR: B	VERSION: 02	TDR: 00000936157
FILE: \AAA\00202\897	REVISED: 01:12:34 07/28/2015	BY: ENBRAMO
MTL: -		

BALDOR

HORZ 182-4T TEFC CP IEEE841 W/M20 X 1.75 LH,.38-16 TAP,DOME

SH 1 of 1

06LYK171