

# DUTY MASTER ALTERNATING CURRENT MOTORS

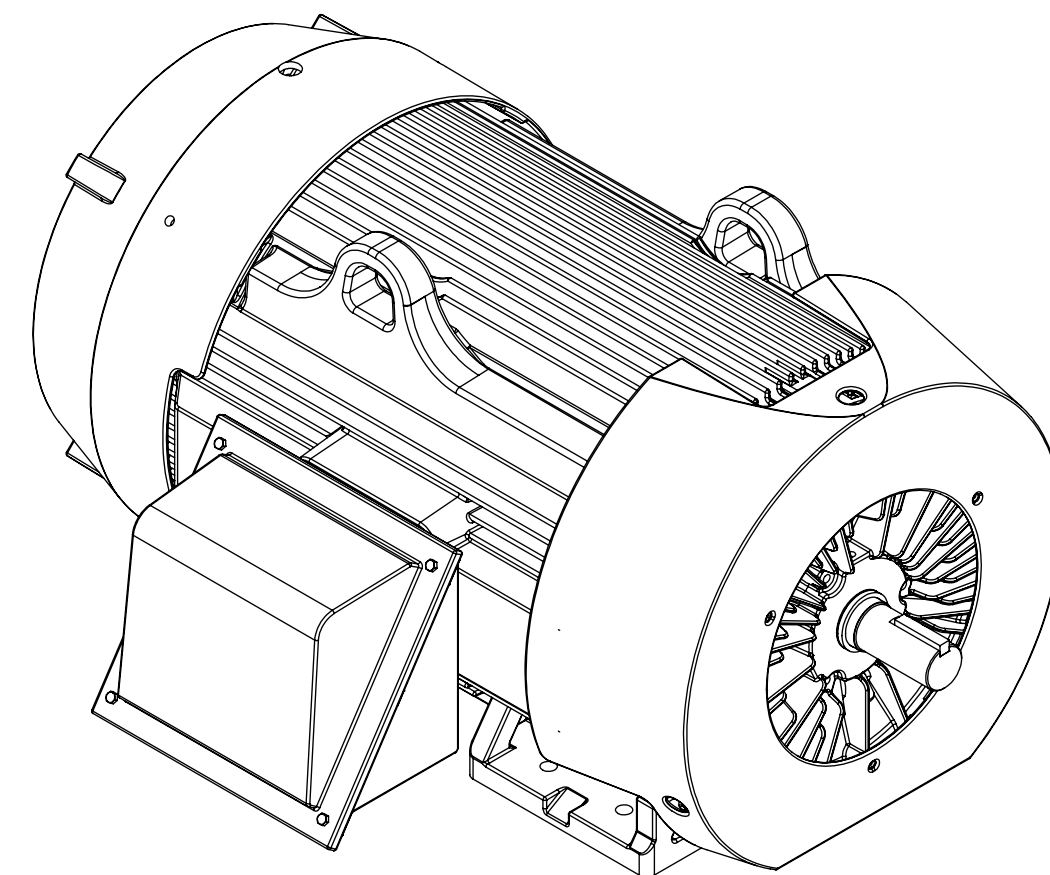
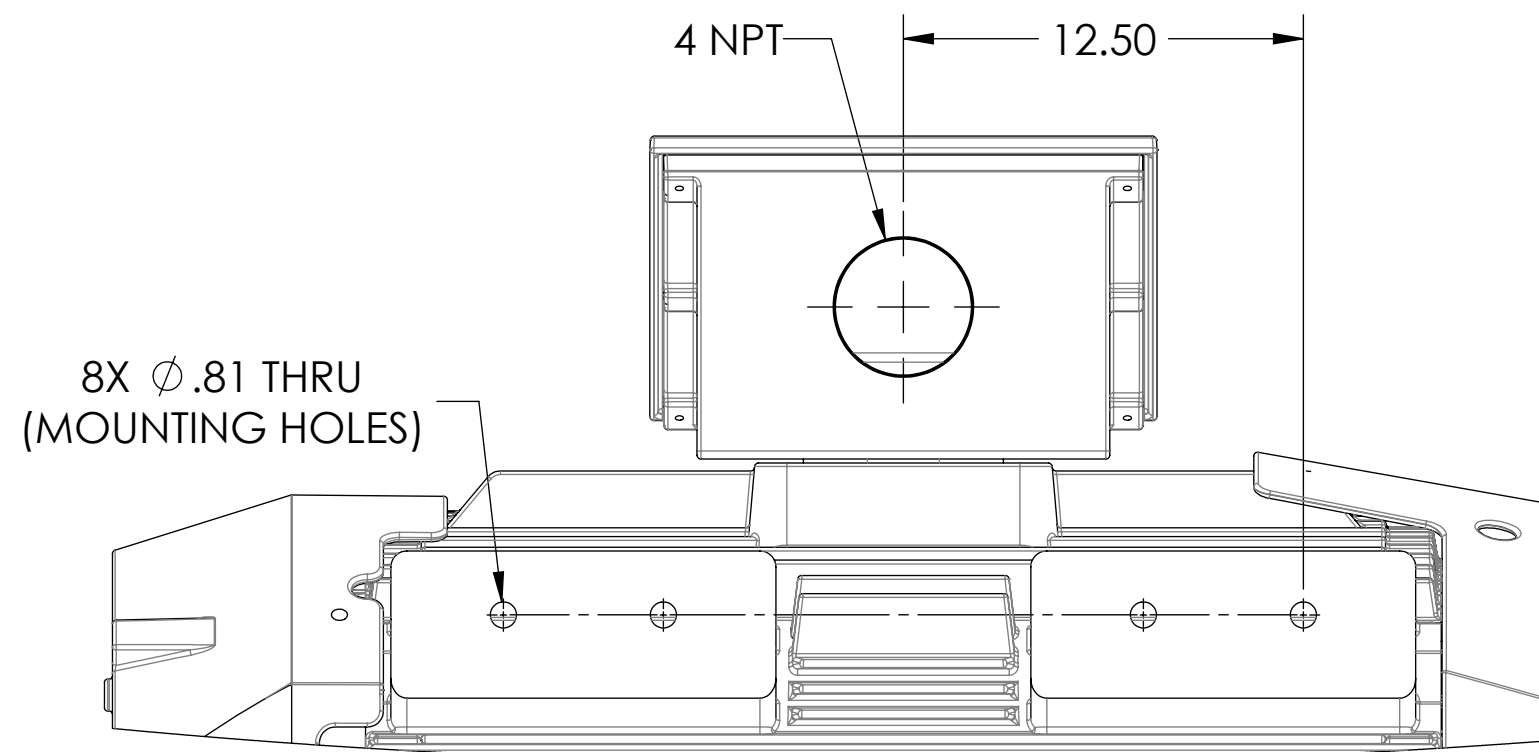
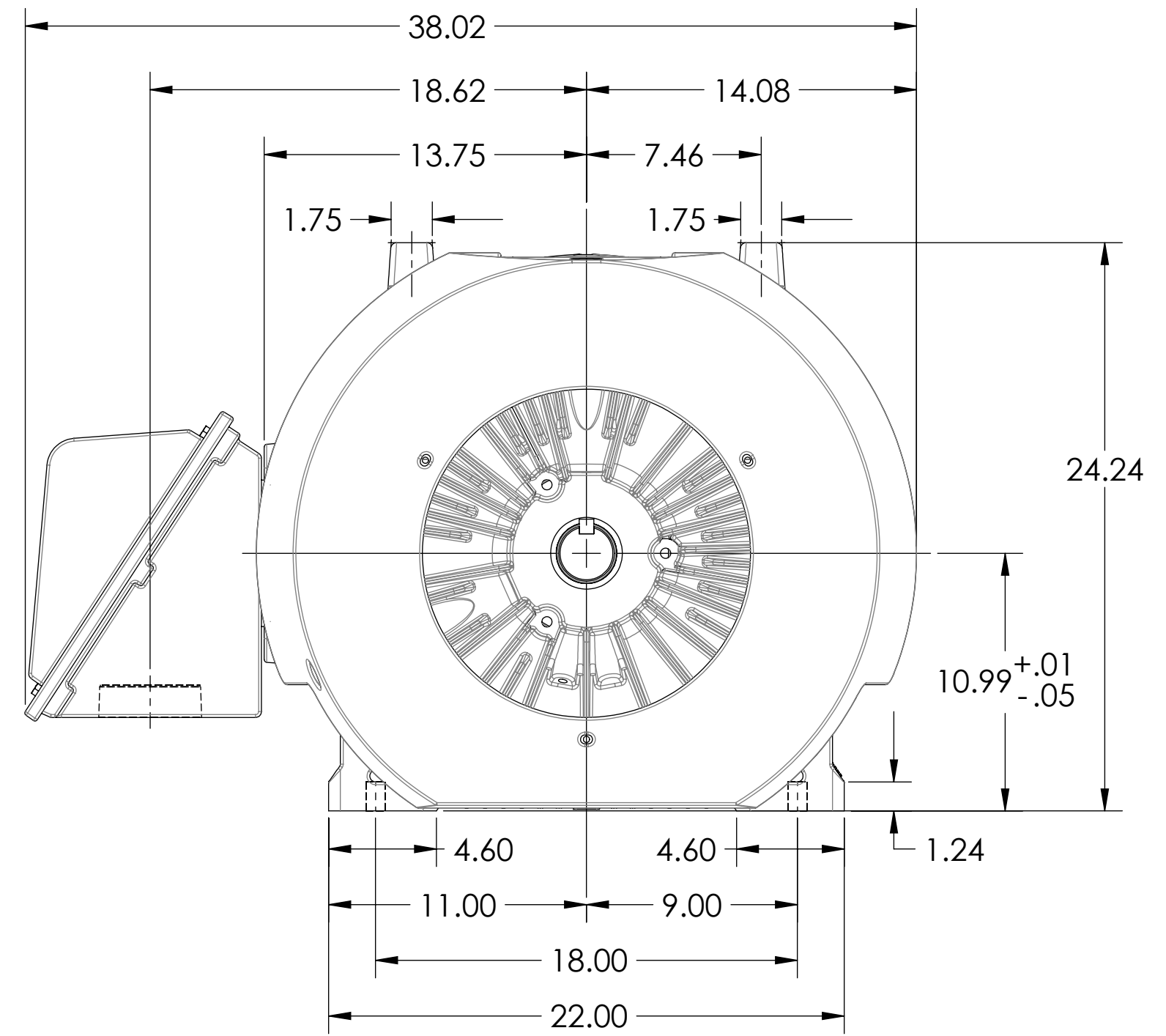
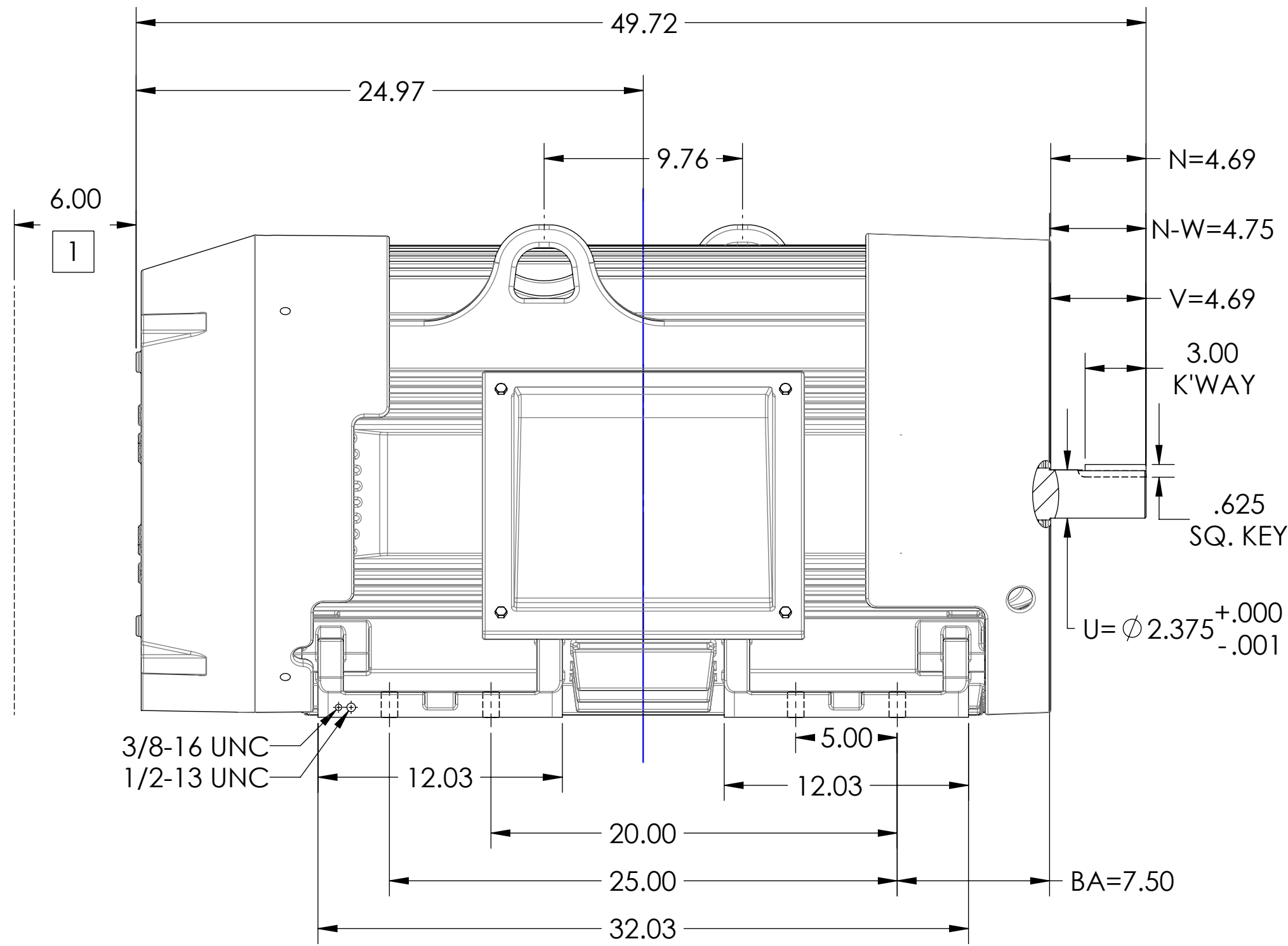
## SQUIRREL-CAGE INDUCTION

ENCLOSURE: TOTALLY ENCLOSED

MOUNTING: FOOT, F-1

449TS/447TS FRAME MOUNTING HOLES

COOLING: FAN COOLED



1. OBSTRUCTION MUST NO ENCROACH ON AIR INLET

CONDUIT BOX LOCATED ON OPPOSITE SIDE WHEN F-2.  
IF MOUNTING CLEARANCE DETAILS ARE REQUIRED, CONSULT FACTORY.  
MAXIMUM PERMISSIBLE SHAFT RUNOUT WHEN MEASURED AT END OF  
STANDARD SHAFT EXTENSION IS .003" T.I.R. TO 5 INCH DIA.

DIMENSIONS ARE IN INCHES; SEE SHEET 2 FOR DIMENSIONS IN MILLIMETERS.  
WEIGHT (LBS): 3045, MOTOR WEIGHTS MAY VARY BY 15% DEPENDING ON RATING.  
CUSTOMER IS RESPONSIBLE FOR DETERMINING THAT MOTOR PERFORMANCE IS SUITABLE IN THE APPLICATION.

REV. DESC: CHANGED TO CAST IRON BOX, D/S ON MULTIPLE SPECS			
REV: C	VERSION: 03	REVISED: 11-09-10 03/30/2016	TDR: 000000973129
MODEL NO. 617427-006			
BY: USJEDIL			

### BALDOR

G449TS/447TS STD TEFC F1 FT -S/C CAST IRON C/BOX-

SHEET NUMBER  
1 OF 2

617427-006

617427-006

