

DUTY MASTER ALTERNATING CURRENT MOTORS

SQUIRREL-CAGE INDUCTION

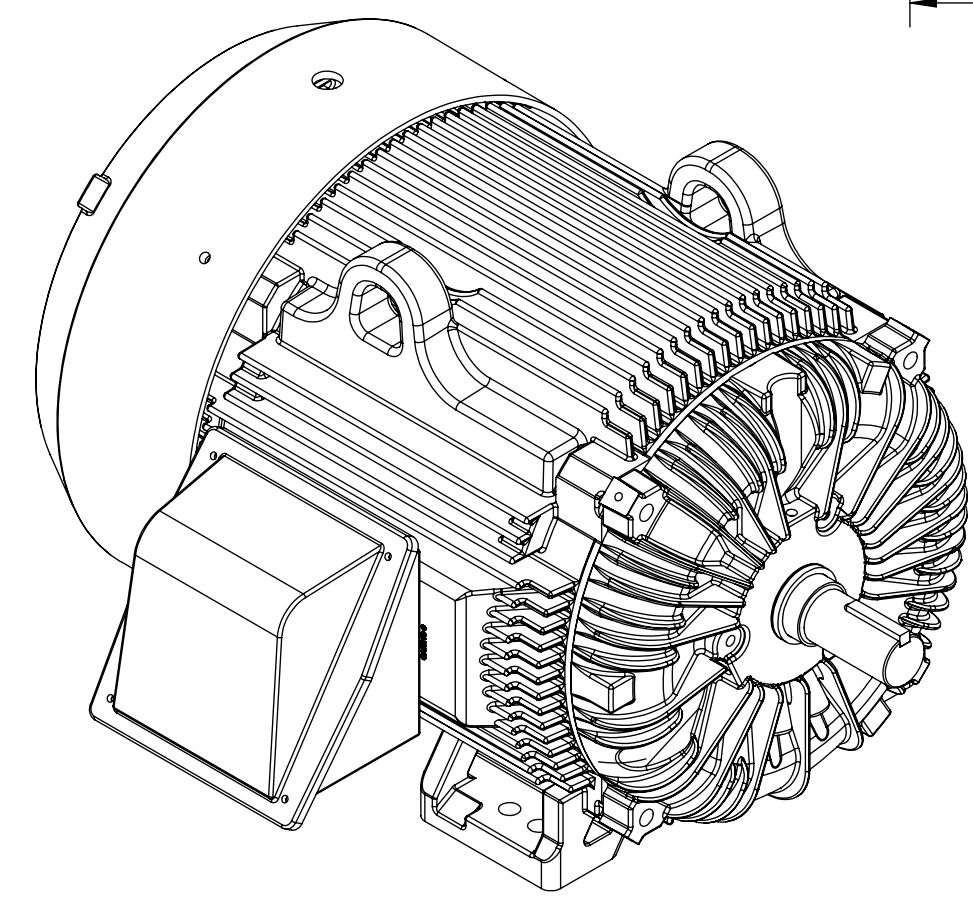
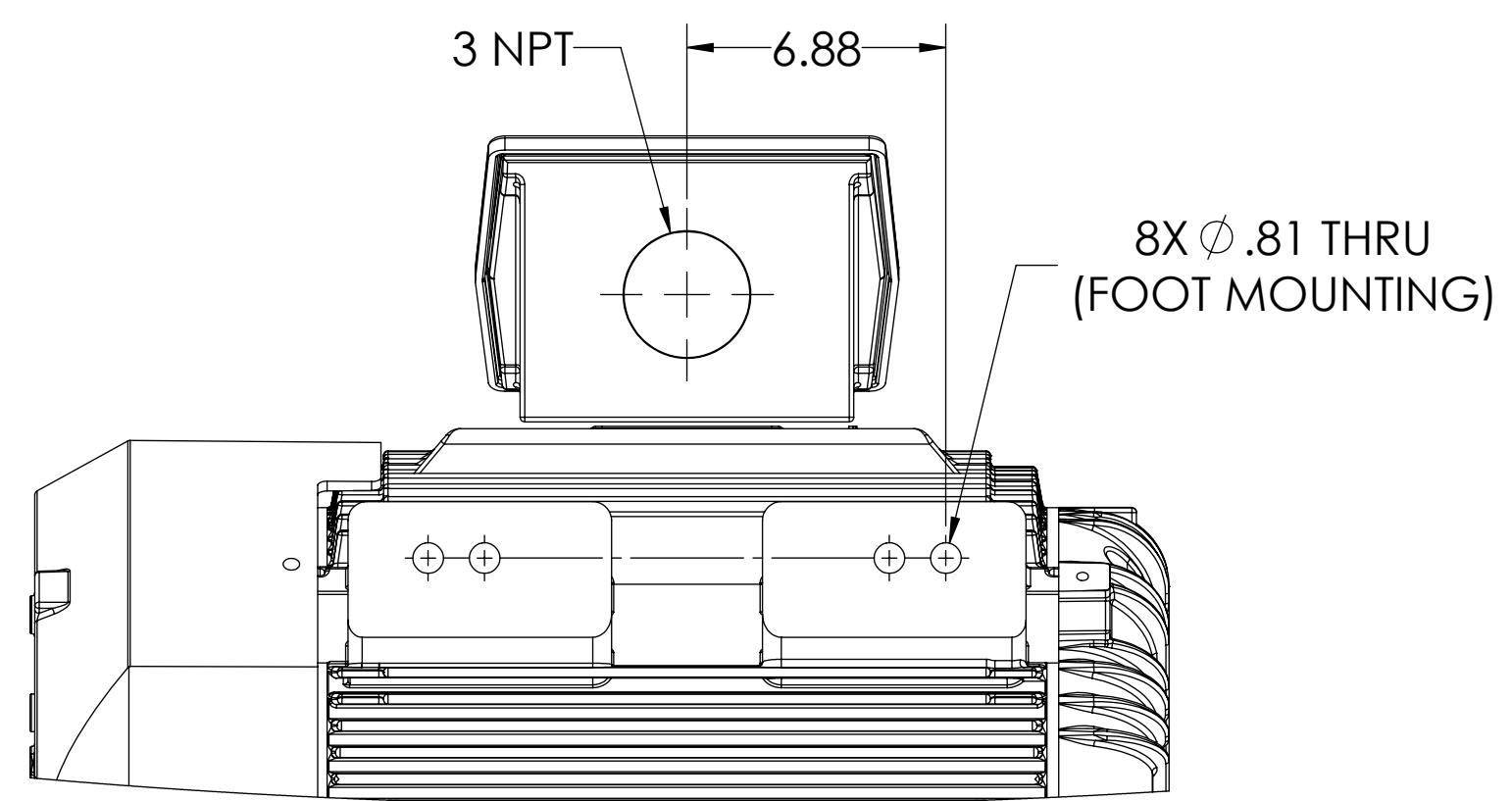
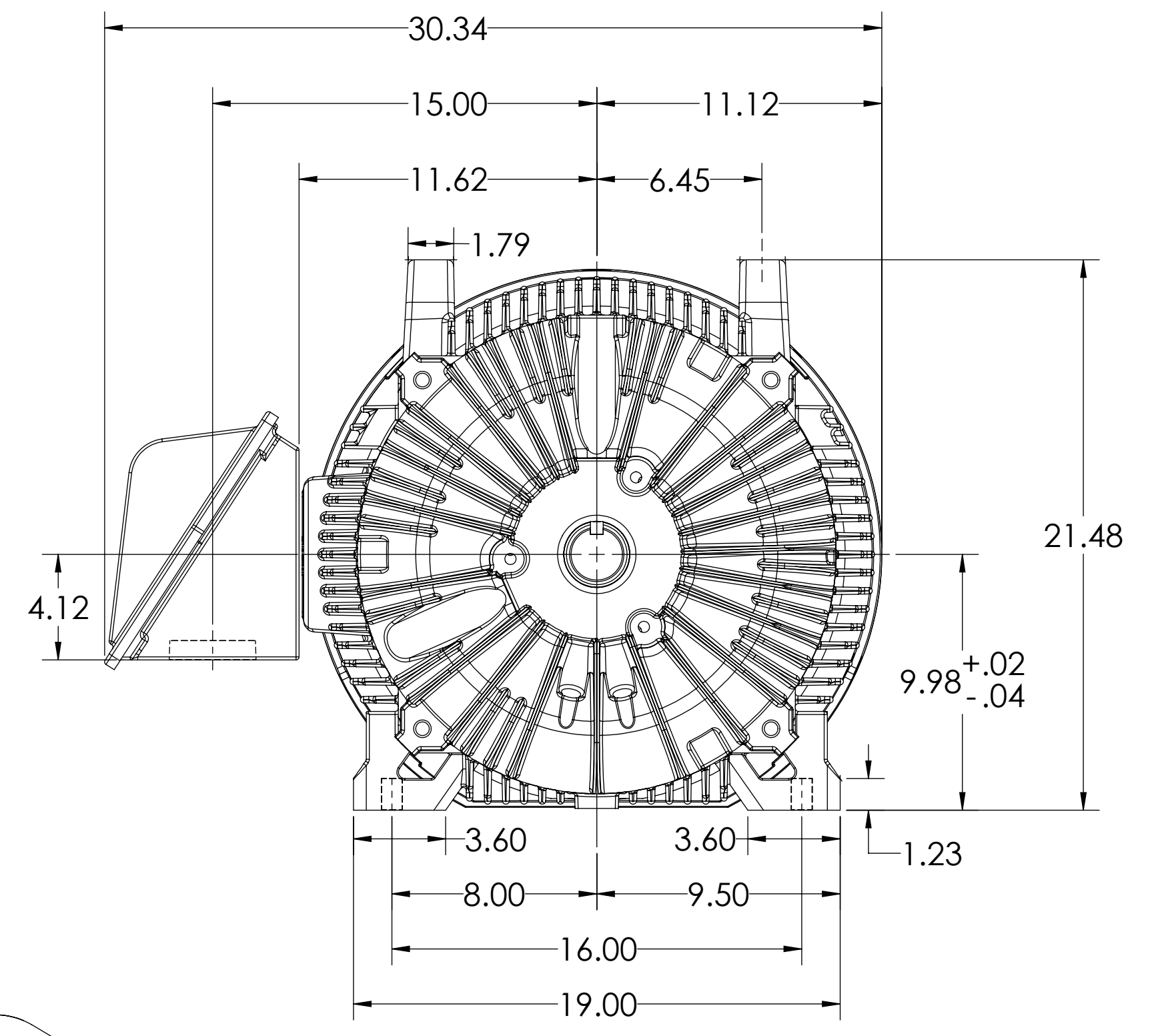
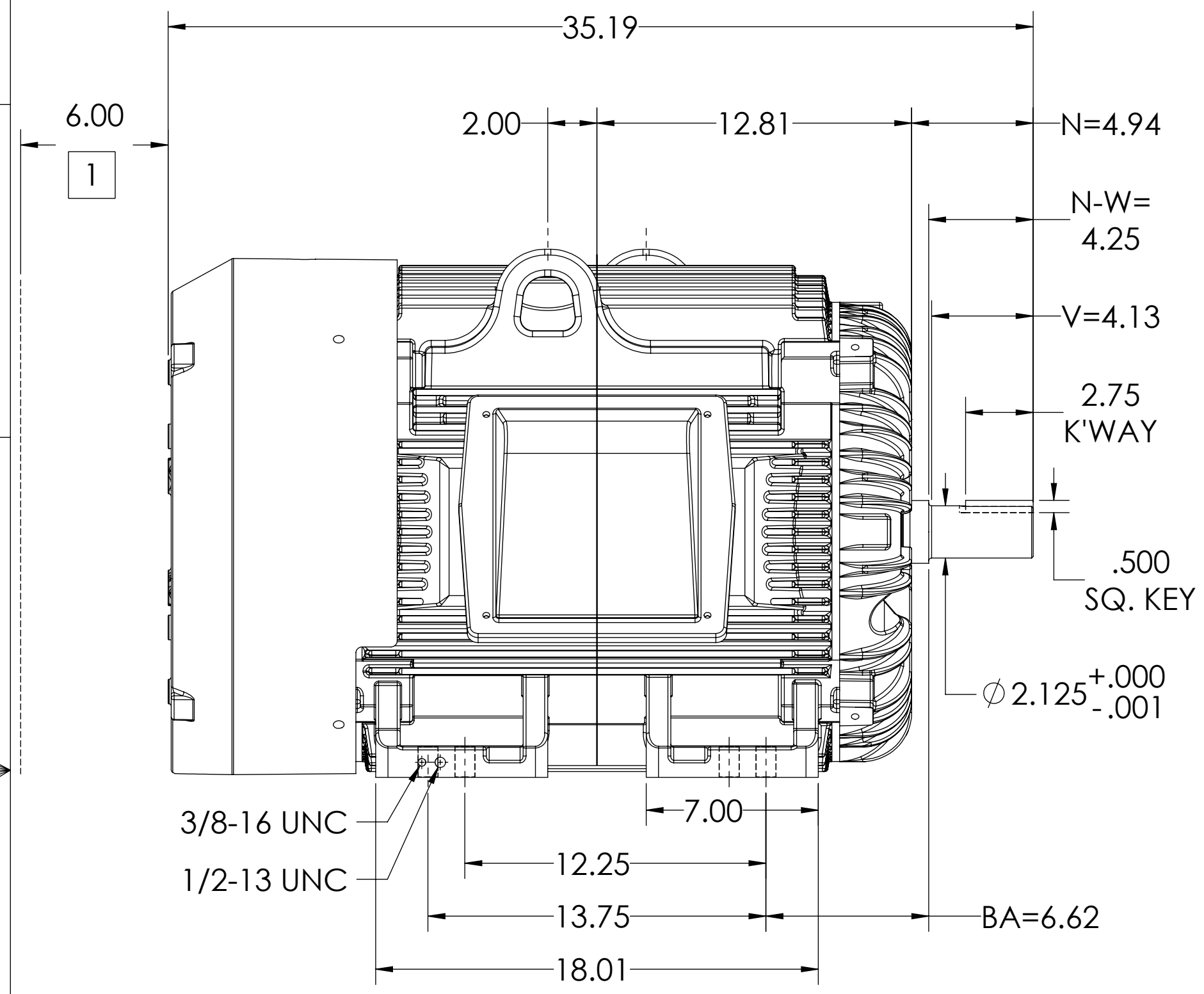
COOLING: FAN COOLED

ENCLOSURE: TOTALLY ENCLOSED

MOUNTING: FOOT, F-1

G405TS/G404TS FRAME MOUNTING

ENCLOSURE ENHANCEMENT: SEVERE DUTY



DIMENSIONS ARE IN INCHES; SEE SHEET 2 FOR DIMENSIONS IN MILLIMETERS.
 WEIGHT (LBS): 1160, MOTOR WEIGHTS MAY VARY BY 15% DEPENDING ON RATING.
 CUSTOMER IS RESPONSIBLE FOR DETERMINING THAT MOTOR PERFORMANCE IS SUITABLE IN THE APPLICATION.

REV. C	VERSION: 03	REVISED: 09-15-12 06/28/2017	TDR: 000001033374
MODEL NO. 617429-502		REF:	
BY: USJEDIL	Material:	C	

BALDOR

G405TS/404TS TEFC F1 FOOT CAST IRON CONDUIT BOX/SEVERE DUTY

1 OBSTRUCTION MUST NOT ENCROACH ON AIR INLET.

IF MOUNTING CLEARANCE DETAILS ARE REQUIRED, CONSULT FACTORY.
MAX PERMISSIBLE SHAFT RUNOUT WHEN MEASURED AT END OF STANDARD SHAFT EXTENSION IS .003" T.I.R.

DUTY MASTER ALTERNATING CURRENT MOTORS

SQUIRREL-CAGE INDUCTION

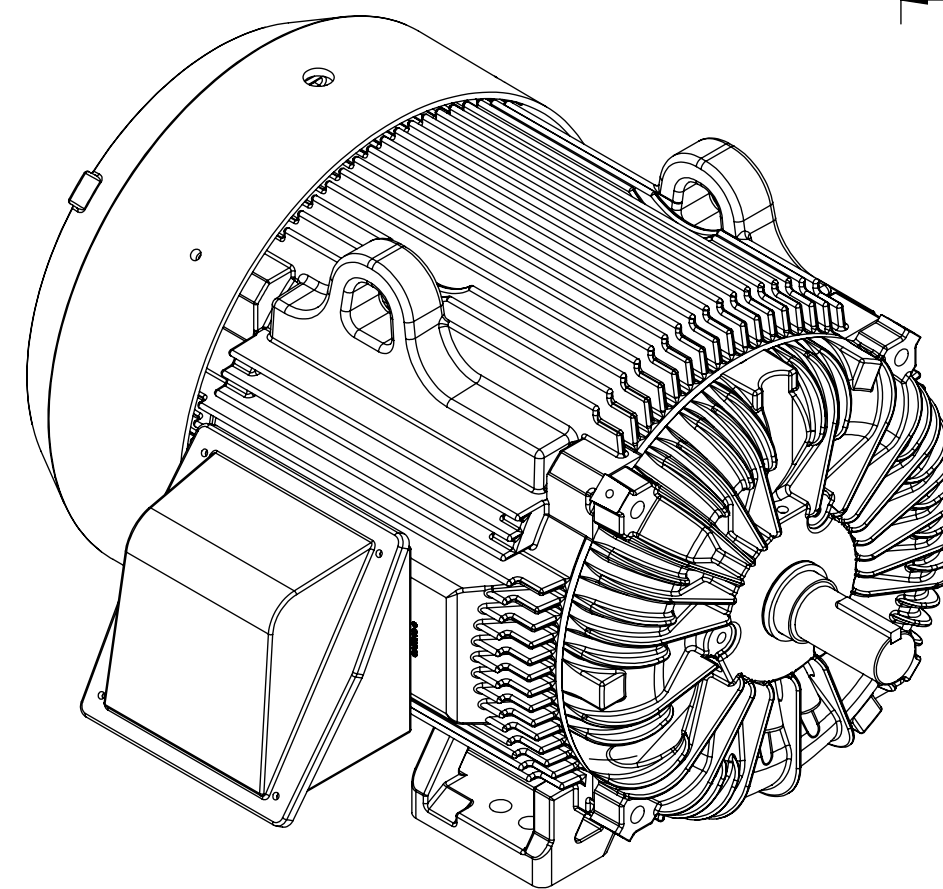
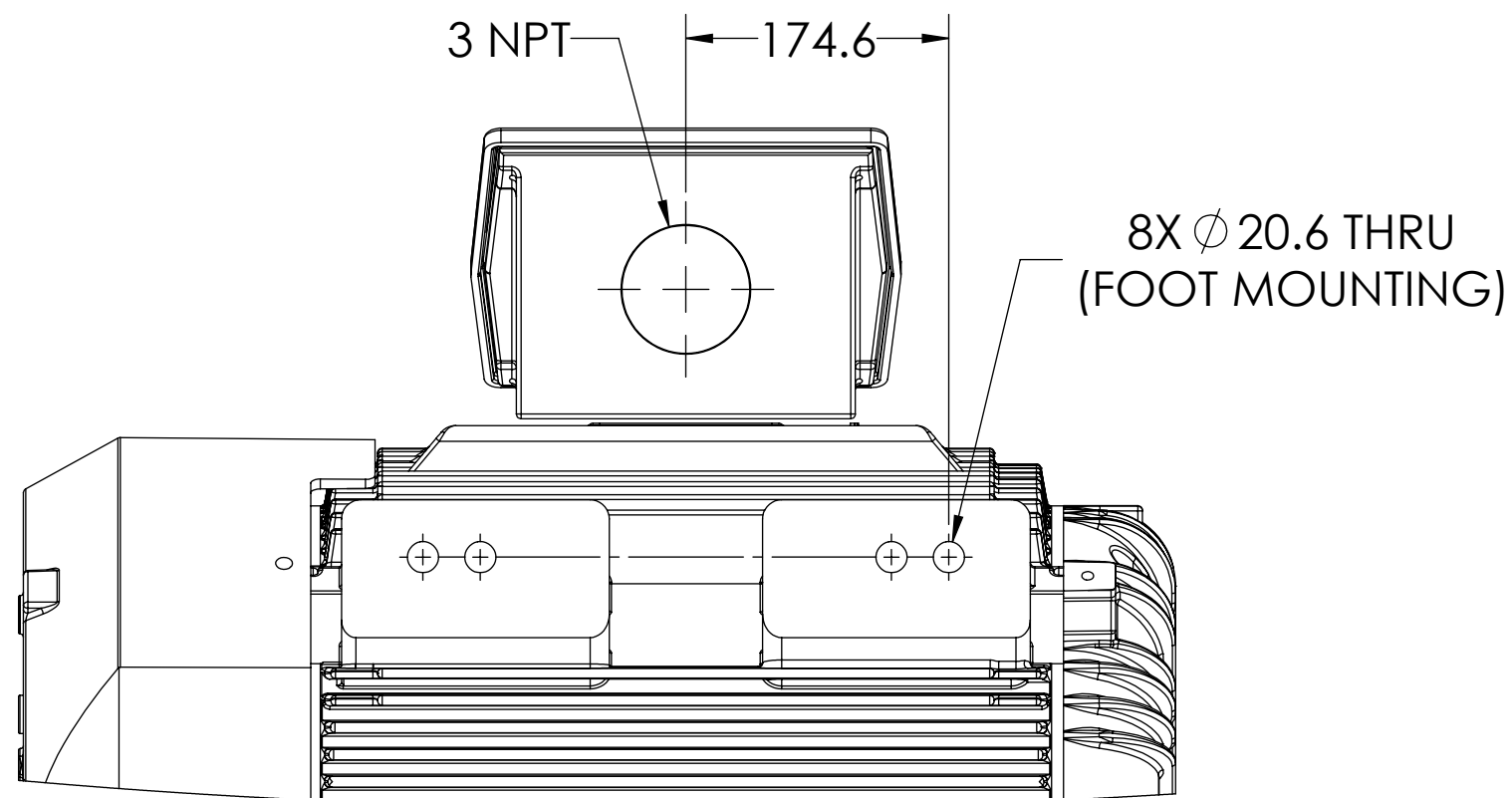
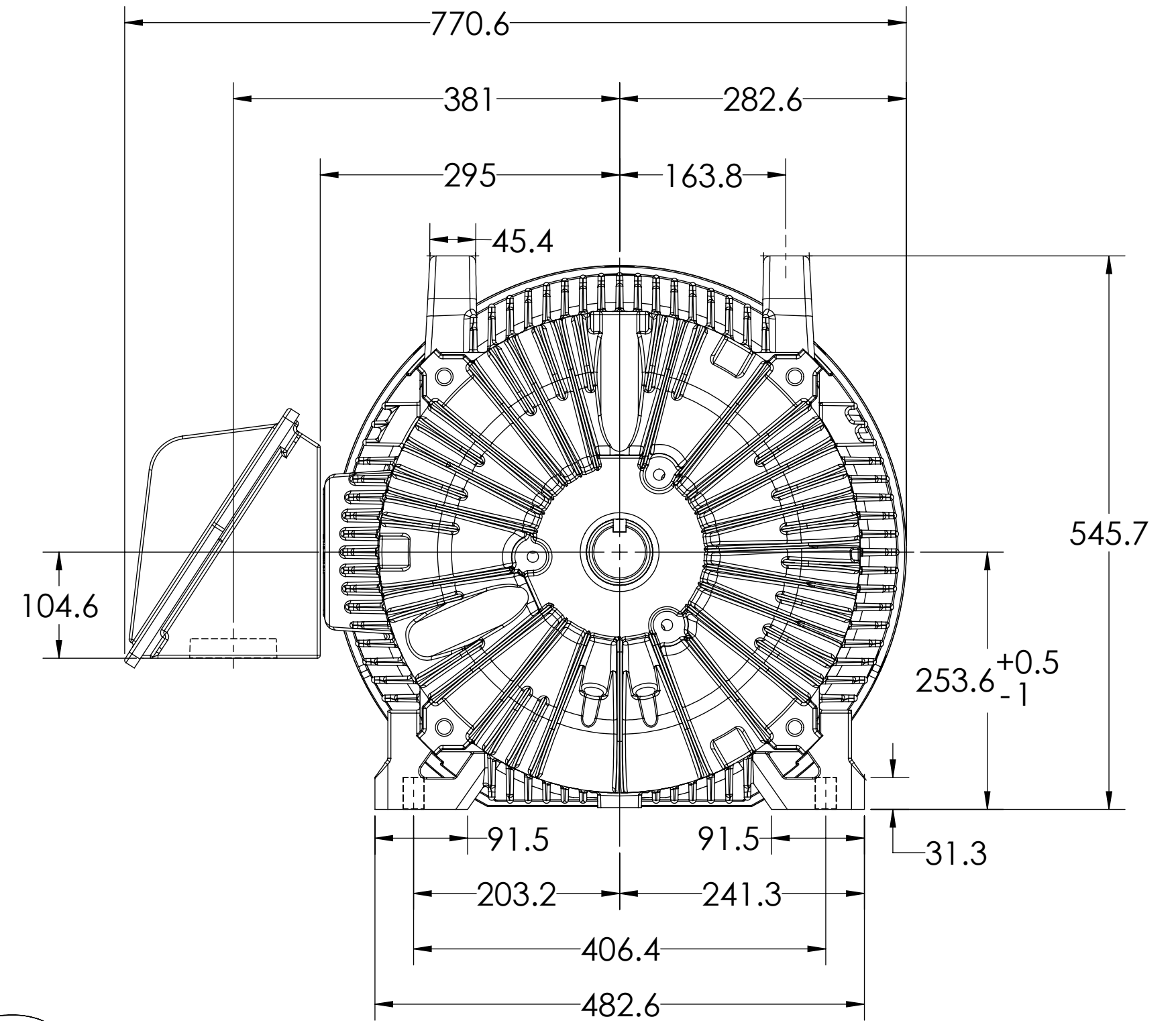
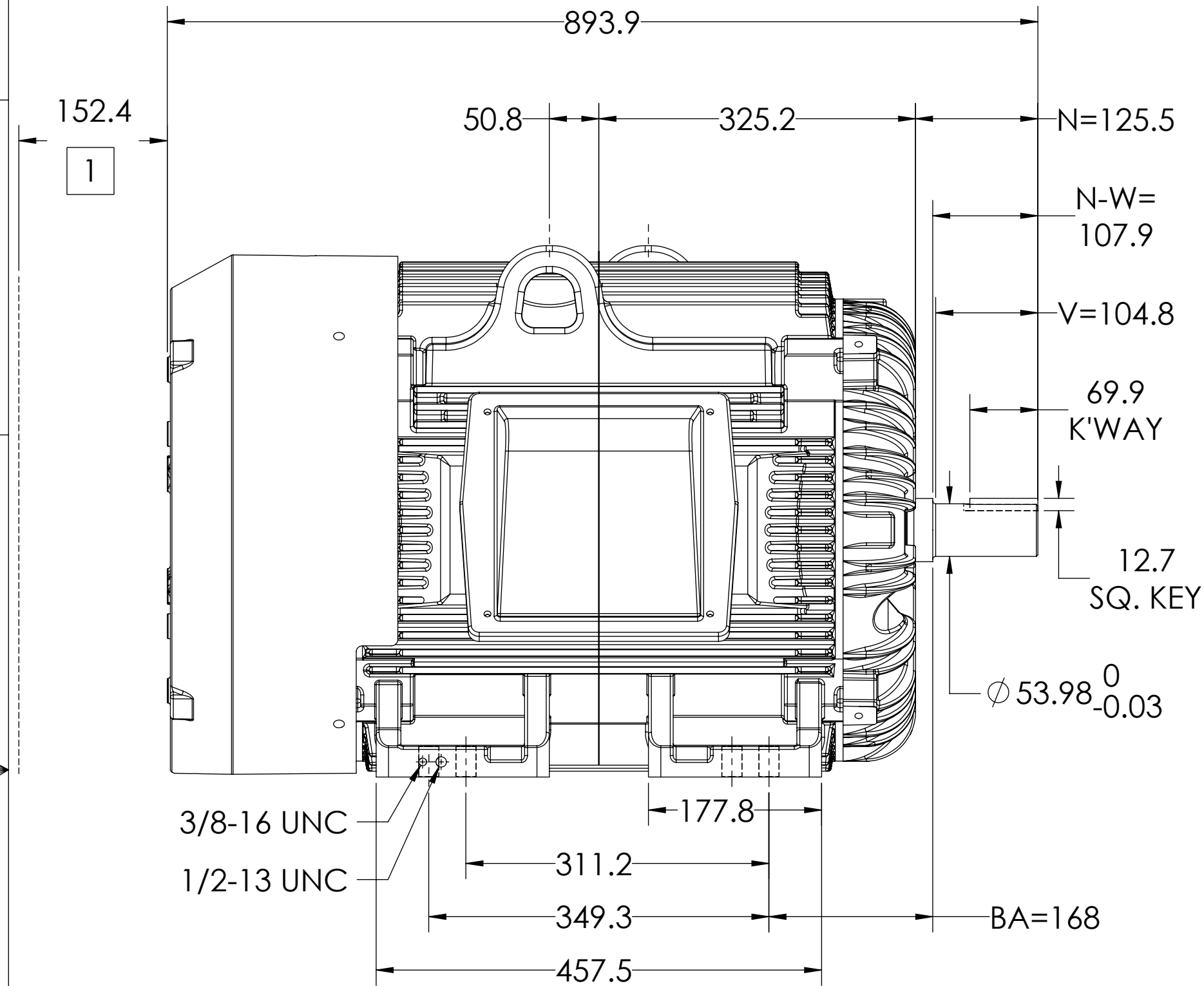
COOLING: FAN COOLED

ENCLOSURE: TOTALLY ENCLOSED

MOUNTING: FOOT, F-1

G405TS/G404TS FRAME MOUNTING

ENCLOSURE ENHANCEMENT: SEVERE DUTY



DIMENSIONS ARE IN MILLIMETERS.
 WEIGHT (KGS): 530, MOTOR WEIGHTS MAY VARY BY 15% DEPENDING ON RATING.
 CUSTOMER IS RESPONSIBLE FOR DETERMINING THAT MOTOR PERFORMANCE IS SUITABLE IN THE APPLICATION.

REV. DESC: UPDATE DS QUALITY			
REV: C	VERSION: 03	REVISED: 09:15:12 06/28/2017	TDR: 000001033374
MODEL NO. 617429-502		REF:	
BY: USJEDIL	Material:	C	

BALDOR

G405TS/404TS TEFC F1 FOOT CAST IRON CONDUIT BOX/SEVERE DUTY

1 OBSTRUCTION MUST NOT ENCROACH ON AIR INLET.

IF MOUNTING CLEARANCE DETAILS ARE REQUIRED, CONSULT FACTORY.
MAX PERMISSIBLE SHAFT RUNOUT WHEN MEASURED AT END OF STANDARD SHAFT EXTENSION IS .08 T.I.R.