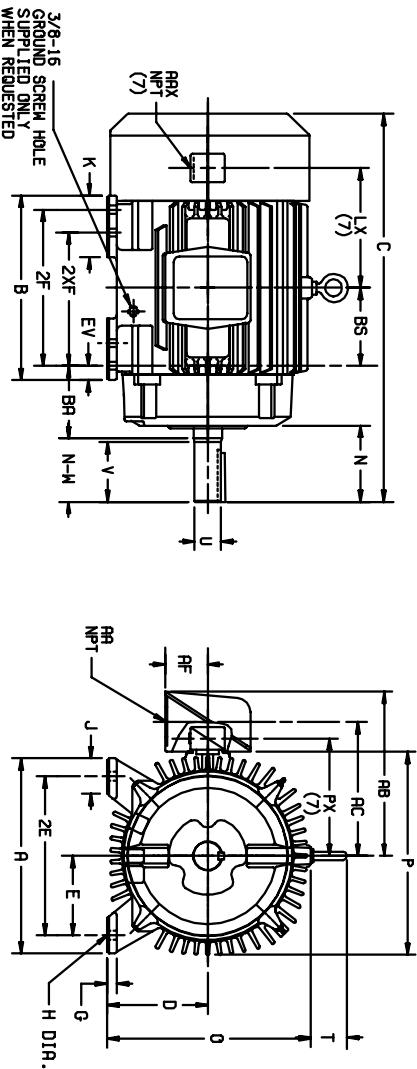


# DUTY MASTER ALTERNATING CURRENT MOTORS

ENCLOSURE: TOTALLY ENCLOSED  
 SQUIREL-CAGE INDUCTION  
 CAST IRON CONSTRUCTION  
 COOLING: FAN COOLED  
 MOUNTING: FOOT

FRAMES 250T THRU 440T



DIMENSIONS ARE IN INCHES; SEE SHEET 2 FOR DIMENSIONS IN MILLIMETERS

FRAME	A	D(2)	E	G	H	J	K	O	P	T	CAST IRON TERMINAL BOX				(7) AUX. CONDUIT BOX		EV		
											AA	AB	AC	AF	AAX	LX (7)	PX (7)	BA	
254T-256T	12.50	6.25	5.00	.75	.56	2.50	---	13.25	13.25	2.44	1-1/4	10.81	8.81	2.50	3/4	6.31	9.31	4.25	1.00
284T-286TS	13.75	7.00	5.50	.75	.56	2.50	---	14.75	14.88	2.44	1-1/2	12.62	10.19	3.00	3/4	6.88	10.50	4.75	1.00
324T-326TS	15.50	8.00	6.25	.88	.69	2.75	4.50	16.69	17.00	2.44	2	15.44	11.69	3.62	3/4	8.00	10.50	5.25	1.38
364T-365TS	17.00	9.00	7.00	.88	.69	2.75	3.88	18.50	19.50	2.94	3	18.00	13.81	4.12	3/4	8.38	11.62	5.88	1.38
404T-405TS	19.00	10.00	8.00	1.12	.81	3.25	4.62	21.31	22.50	2.94	3	19.25	15.06	4.12	3/4	9.62	14.44	6.62	1.13
444T-445TS	21.00	11.00	9.00	1.12	.81	3.25	5.25	23.38	25.25	3.25	3	22.19	17.44	6.00	3/4	11.12	15.25	7.50	1.25

FRAME	A	C	BS	B	2F	2XF	(4) 2XF	N	N	N-W(6)	SHAFT AND KEY			WEIGHT	
SIZE											U(3)	V	SQ.	LGTH.	WGT. (5)
254T	24.56	5.00	12.00	---	---	8.25	4.12	4.12	4.00	1.625	3.75	.375	.375	2.88	3.35
256T	24.56	5.00	12.00	10.00	---	---	4.12	4.00	1.625	3.75	.375	.375	2.88	3.45	
284T	27.44	5.50	13.00	---	---	9.50	5.00	4.62	1.875	4.38	.500	.375	3.25	4.75	
284TS	26.06	5.50	13.00	---	---	9.50	3.62	3.25	1.625	3.00	.375	1.88	4.75		
286T	27.44	5.50	13.00	11.00	---	---	5.00	4.62	1.875	4.38	.500	3.25	4.90		
286TS	26.06	5.50	13.00	11.00	---	---	3.62	3.25	1.625	3.00	.375	1.88	4.90		
324T	30.44	6.00	14.75	---	---	10.50	5.62	5.25	2.125	5.00	.500	3.88	5.90		
324TS	28.94	6.00	14.75	---	---	10.50	4.12	3.75	1.875	3.50	.500	2.00	5.90		
326T	30.44	6.00	14.75	12.00	---	---	5.62	5.25	2.125	5.00	.500	3.88	6.30		
326TS	28.94	6.00	14.75	12.00	---	---	4.12	3.75	1.875	3.50	.500	2.00	6.30		
364T	33.44	6.12	15.00	---	---	11.25	6.25	5.88	2.375	5.62	.625	4.25	8.65		
364TS	31.31	6.12	15.00	---	---	11.25	4.12	3.75	1.875	3.50	.500	2.00	8.59		
365T	33.44	6.12	15.00	12.25	---	---	6.25	5.88	2.375	5.62	.625	4.25	8.90		
365TS	31.31	6.12	15.00	12.25	---	---	4.12	3.75	1.875	3.50	.500	2.00	8.84		
404T	38.31	6.88	16.00	---	---	12.25	7.50	7.50	2.875	7.00	.750	5.62	12.20		
404TS	35.31	6.88	16.00	---	---	12.25	4.50	4.25	2.125	4.00	.500	2.75	12.11		
405T	38.31	6.88	16.00	13.75	---	---	7.50	7.25	2.875	7.00	.750	5.62	12.60		
405TS	35.31	6.88	16.00	13.75	---	---	4.50	4.25	2.125	4.00	.500	2.75	12.51		
444T	44.82	8.25	19.00	---	---	14.50	8.94	8.50	3.375	8.25	.875	6.88	16.70		
444TS	40.88	8.25	19.00	---	---	14.50	5.19	4.75	2.375	4.50	.625	3.00	16.54		
445T	44.82	8.25	19.00	16.50	---	---	8.94	8.50	3.375	8.25	.875	6.88	16.60		
445TS	40.88	8.25	19.00	16.50	---	---	5.19	4.75	2.375	4.50	.625	3.00	16.44		

- (1) SPECIAL DIMENSIONS APPLYING TO THIS ORDER ON THIS LINE.
- (2) "D" VARIES  $\left[ \begin{array}{l} 250T - 320T +.00, -.03 \\ 360T - 440T +.00, -.06 \end{array} \right]$   
 HP TO 1.625 DIA. +.0000, -.0005
- (3) "U" VARIES  $\left[ \begin{array}{l} 1.625 \text{ AND LARGER} +.000, -.001 \\ 1.625 \text{ AND LARGER} +.000, -.0005 \end{array} \right]$   
 MAXIMUM PERMISSIBLE SHAFT RUNOUT WHEN MEASURED AT END OF STD. SHAFT EXTENSION IS .002 T.I.R. UP TO AND INCLUDING 1.625 DIA. AND .003 T.I.R. 1.625 DIA. TO 5 INCH DIA.
- (4) ALL FRAMES HAVE EIGHT MOUNTING HOLES FOR DUAL MOUNTING.
- (5) MOTOR WEIGHTS MAY VARY BY 15% DEPENDING UPON RATING.
- (6) "N-W" VARIES +.00, -.25.
- (7) AUXILIARY CONDUIT BOX SUPPLIED WHEN SPECIFIED  
 CONDUIT BOXES LOCATED ON OPPOSITE SIDE WHEN F-2,W-1, W-4,W-5,W-7, OR C-1 MOUNTING IS SPECIFIED.

FRAME \_\_\_\_\_ TYPE \_\_\_\_\_ CERTIFIED FOR \_\_\_\_\_  
 ORDER \_\_\_\_\_ ITEM \_\_\_\_\_ HP \_\_\_\_\_ RPM \_\_\_\_\_ PH \_\_\_\_\_ HZ \_\_\_\_\_ VOLTS \_\_\_\_\_  
 SALES ORDER \_\_\_\_\_ APPROVED BY \_\_\_\_\_ DATE \_\_\_\_\_

LHS-105-047119

CUSTOMER IS RESPONSIBLE FOR DETERMINING THAT MOTOR PERFORMANCE IS SUITABLE IN THE APPLICATION.

REV. DESC: REMOVING TITLEBLOCK		TDR: 00000448517
REV. LTR: A	VERSION: 01	BY: CONBPM
FILE: \RAG\00004\525	REVISED: 14:06:59 11/07/2007	
MTL: -		



DIM SHT 250T-440T TEFC FT MTG STD T & TS SGL EXT XT