

# DUTY MASTER ALTERNATING CURRENT MOTORS

SQUIRREL-CAGE INDUCTION  
CAST IRON CONSTRUCTION

ENCLOSURE: TOTALLY ENCLOSED  
MOUNTING: FOOT

FRAMES 364TS-365TS

COOLING: FAN COOLED

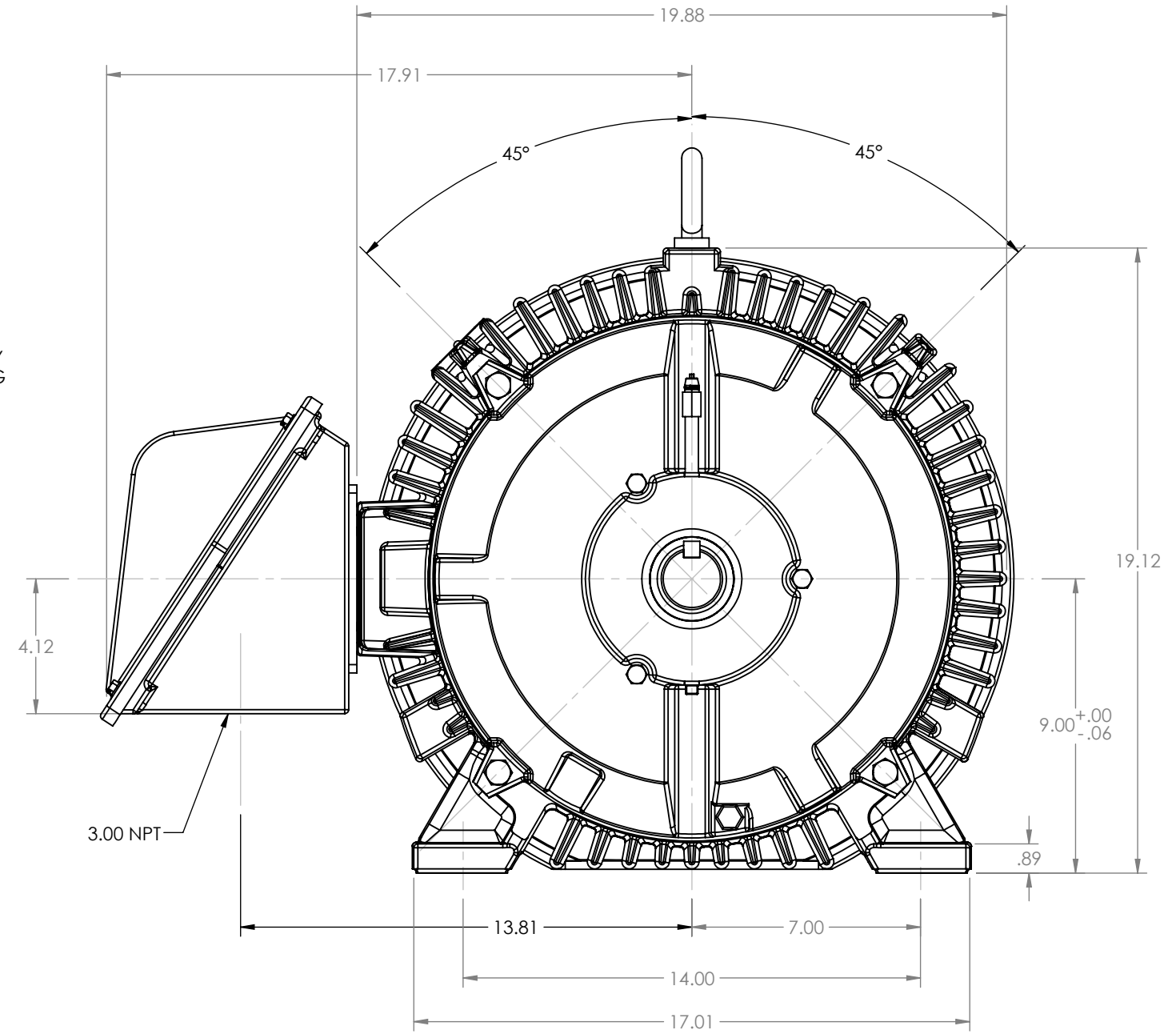
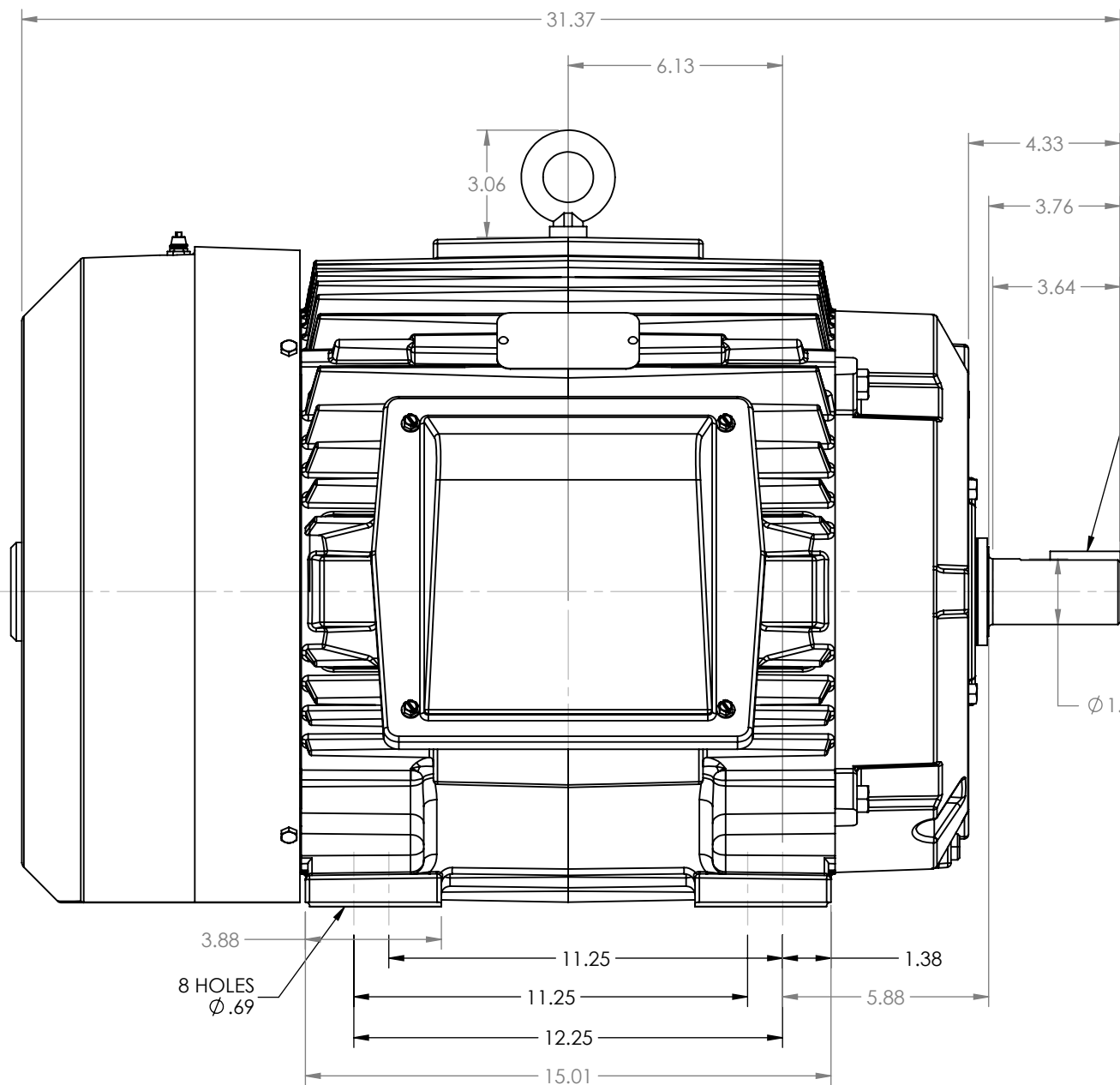
617428-036

D

C

B

A



D

C

B

A

MAXIMUM PERMISSIBLE SHAFT RUNOUT WHEN MEASURED AT END OF STD. SHAFT EXTENSION IS .002 T.I.R. UP TO AND INCLUDING 1.625 DIA. AND .003 T.I.R. 1.625 DIA. TO 5 INCH DIA.

WEIGHT (LBS): 364TS = 859  
365TS = 884

MOTOR WEIGHTS MAY VARY BY 15% DEPENDING UPON RATING.

CUSTOMER IS RESPONSIBLE FOR DETERMINING THAT BALDOR'S PRODUCT WILL PERFORM SUITABLY IN THE INTENDED APPLICATION

REV. DESC: UPDATING SHAFT AND CORRECTING BA DIMENSION			
REV: A	VERSION: 01	REVISED: 11:06:08 03/28/2014	TDR: 00000846122
MODEL NO. 617428-036		REF:	
BY: RAGJSS1		B	

**BALDOR**

DIM SHEET HOR 364-5TS TEFC XT

617428-036

8

7

6

5

4

3

2

1