

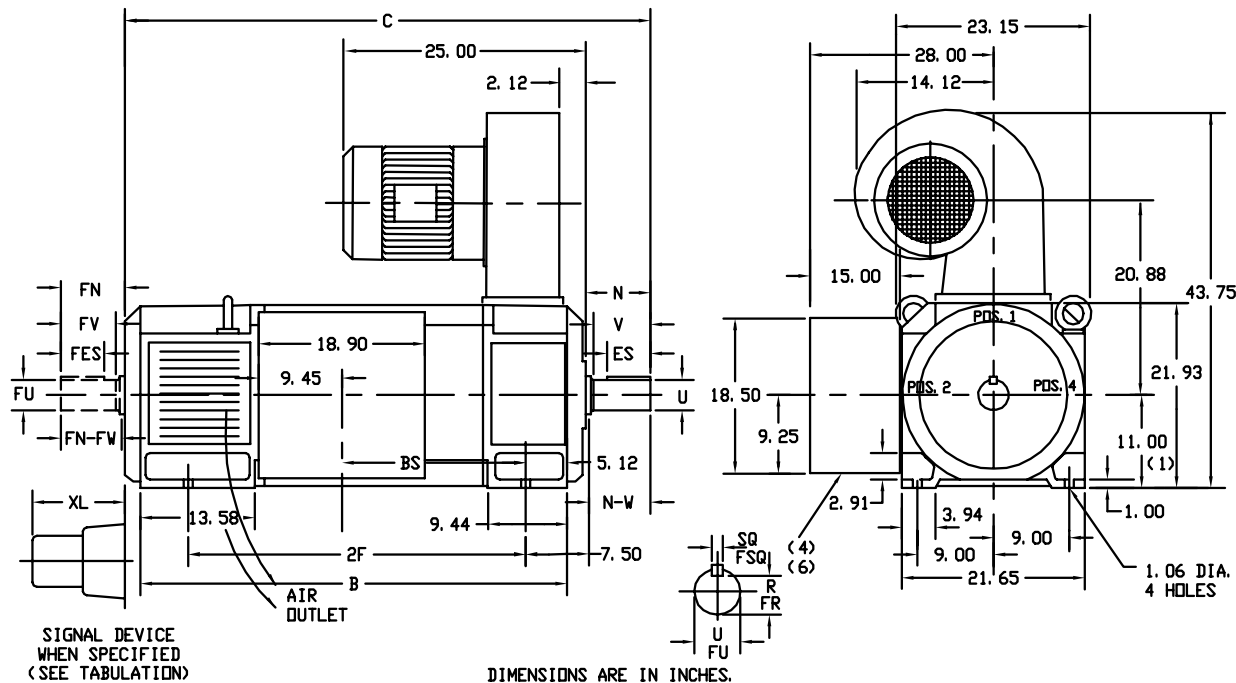
DIRECT CURRENT MOTORS AND GENERATORS INDUSTRIAL-RPM III

ENCLOSURE: DRIP PROOF FULLY GUARDED
SPLASHPROOF
MOUNTING: FOOT

COOLING: FORCE VENTILATED WITH
INTEGRAL BLOWER & MOTOR

ACCESSORIES: FLANGE MOUNTED
TACHOMETER

FRAME C4412ATZ - C4414ATZ



| SIGNAL DEVICE | XL | WT. (LBS.) |
|---------------|-------|------------|
| 5PY | 10.88 | 7 |
| BC-42 | 13.38 | 25 |
| BC-46 | 15.68 | 35 |
| M-627A | 10.50 | 14 |
| M-628A | 10.50 | 14 |
| M-727A | 10.50 | 14 |
| M-737A | 10.50 | 14 |
| RD-11 | 10.00 | 17 |
| RD-51 | 16.68 | 38 |
| RD-61 | 10.00 | 17 |
| H56 | 10.00 | 17 |
| RE-045 | 2.56 | 5 |
| RE-210 | 15.31 | 17 |
| TG2168A | 2.56 | 5 |
| TS2014N | 6.50 | 5 |
| TS2087N | 11.00 | 17 |
| RD-120 | 1.88 | 5 |
| ST67/RL67 | 2.00 | 5 |
| HS35 | 3.00 | 5 |
| M285 | 3.12 | 20 |
| RPY444 | 11.00 | 15 |
| M3 DR M4 | 3.62 | 10 |
| AV56 | 2.00 | 5 |

- (1) THIS DIMENSION WILL NOT BE EXCEEDED. SHIMS UP TO .06 INCH IN THICKNESS ARE USUALLY REQUIRED FOR COUPLED OR GEARED MACHINES.
- (2) 'U' AND 'FU' VARY +.000 -.001.
- (3) 'R' AND 'FR' VARY +.000 -.015.
- (4) REMOVEABLE COVER PLATE FOR CUSTOMER DRILLING. TERMINAL BOX CAN BE POSITIONED FOR EITHER TOP OR BOTTOM CONDUIT ENTRY.
- (5) OPPOSITE DRIVE END SHAFT SUPPLIED ONLY WHEN SPECIFIED.
- (6) TERMINAL BOX LOCATED ON OPPOSITE SIDE WHEN F-2, W-1, W-4, W-5, W-7 OR C-1 MOUNTING IS SPECIFIED.
- (7) AIR FILTER SUPPLIED ONLY WHEN SPECIFIED. BLOWER ASSEMBLY CAN BE LOCATED AT POSITIONS 1, 2 OR 4.

DIMENSIONS ARE IN INCHES.

| FRAME | DUTY | C | BS | B | 2F | DRIVE END SHAFT AND KEY | | | | | | (5) OPPOSITE DRIVE END SHAFT AND KEY | | | | | | WT. (LBS) | | |
|-----------|---------|-------|-------|-------|-------|-------------------------|------|-------|------|-------|-------|--------------------------------------|------|-------|--------|------|-------|-----------|------|------|
| | | | | | | N | N-W | UK(2) | V | R(3) | SQ | ES | FN | FN-FW | FUK(2) | FV | FR(3) | | FSQ | FES |
| C4412ATZ | COUPLED | 58.32 | 19.81 | 46.56 | 36.00 | 7.62 | 7.25 | 3.625 | 7.00 | 3.134 | .875 | 5.75 | 7.62 | 7.25 | 3.625 | 7.00 | 3.134 | .875 | 5.75 | 3245 |
| UC4412ATZ | BELTED | 59.32 | 19.81 | 46.56 | 36.00 | 8.62 | 8.25 | 4.125 | 8.00 | 3.563 | 1.000 | 6.50 | 7.62 | 7.25 | 3.625 | 7.00 | 3.134 | .875 | 5.75 | 3275 |
| C4413ATZ | COUPLED | 62.25 | 23.75 | 50.56 | 40.00 | 7.62 | 7.25 | 3.625 | 7.00 | 3.134 | .875 | 5.75 | 7.62 | 7.25 | 3.625 | 7.00 | 3.134 | .875 | 5.75 | 3660 |
| UC4413ATZ | BELTED | 63.25 | 23.75 | 50.56 | 40.00 | 8.62 | 8.25 | 4.125 | 8.00 | 3.563 | 1.000 | 6.50 | 7.62 | 7.25 | 3.625 | 7.00 | 3.134 | .875 | 5.75 | 3690 |
| C4414ATZ | COUPLED | 68.56 | 30.05 | 56.56 | 45.00 | 7.62 | 7.25 | 3.625 | 7.00 | 3.134 | .875 | 5.75 | 7.62 | 7.25 | 3.625 | 7.00 | 3.134 | .875 | 5.75 | 4280 |
| UC4414ATZ | BELTED | 69.56 | 30.05 | 56.56 | 45.00 | 8.62 | 8.25 | 4.125 | 8.00 | 3.563 | 1.000 | 6.50 | 7.62 | 7.25 | 3.625 | 7.00 | 3.134 | .875 | 5.75 | 4310 |

CUSTOMER IS RESPONSIBLE FOR DETERMINING THAT BALDOR'S PRODUCT WILL PERFORM SUITABLY IN THE INTENDED APPLICATION.

| | | |
|---------------------------|------------------------------|------------------|
| REV. DESC: ADD AV56 TO DS | VERSION: 02 | TDR: 00000865577 |
| REV. LTR: B | REVISED: 02:50:00 08/04/2014 | BY: RGGWT |
| FILE: \RGG\00016\134 | | |
| MTL: - | | |

BALDOR

DIMENSION DRAWING, C4412ATZ - C4414ATZ, DPP, FOOT MTG, FRC VENT.

SH 1 of 1

616492-001

616492-001