

INDUSTRIAL DIRECT CURRENT MOTORS AND GENERATORS - RPM III

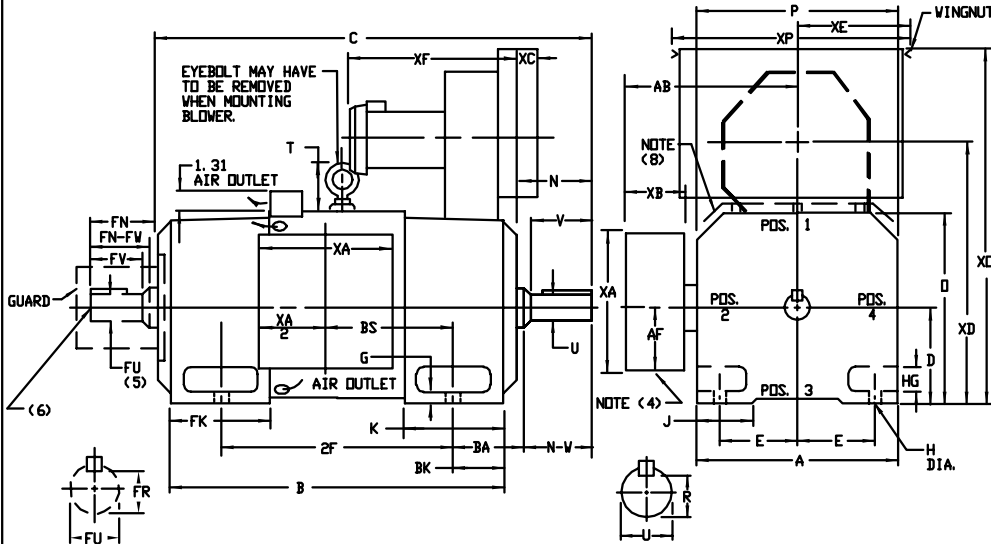
ENCLOSURE: DRIP-PROOF FULLY-GUARDED,
SPLASHPROOF
MOUNTING: FOOT

COOLING: FORCE VENTILATED WITH
INTEGRAL BLOWER AND
MOTOR AIR FILTERED-
SPECIAL BAFFLE

ACCESSORIES: PROVISION FOR
TACHOMETER MOUNTING
ONLY WHEN SPECIFIED

DIMENSIONS ARE IN INCHES

FRAMES C4011ATZ THRU ULC4013ATZ

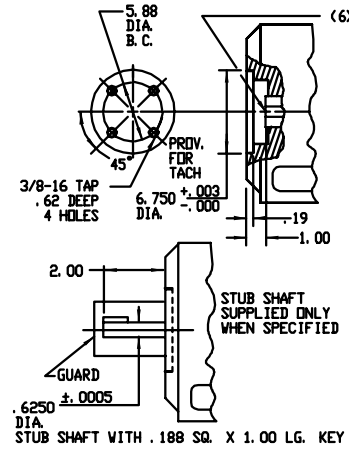


FRAME	A	B(1)	E	G	H	HG	J	O	P	T	BA	K	FK	BK	AB	AF	RH(6)
C4011ATZ-ULC4013ATZ	19.38	10.00	8.00	1.06	1.06	2.82	3.50	19.81	19.56	4.31	6.62	8.75	12.12	5.25	16.12	8.00	6.240

FRAME	METHOD OF DRIVE	C(7)	B	BS	2F	DRIVE END SHAFT AND KEY						OPPOSITE DRIVE END SHAFT AND KEY				WT. LBS.				
						N	N-V	UK(2)	V	R(3)	SQ.	LGTH.	FN	FN-FV	FLK(2)		FV	FR(3)	SQ.	LGTH.
C4011ATZ	COUPLED	52.19	42.06	16.00	28.00	7.62	7.25	3.625	7.00	3.134	.875	5.75	7.62	7.25	3.625	7.00	3.134	.875	5.75	2500
UC4011ATZ	BELTED	53.19	42.06	16.00	28.00	8.62	8.25	4.125	8.00	3.563	1.000	6.50	7.62	7.25	3.625	7.00	3.134	.875	5.75	2505
MC4013ATZ	COUPLED	56.94	46.81	20.75	36.00	7.62	7.25	3.625	7.00	3.134	.875	5.75	7.62	7.25	3.625	7.00	3.134	.875	5.75	2800
UNC4013ATZ	BELTED	57.94	46.81	20.75	36.00	8.62	8.25	4.125	8.00	3.563	1.000	6.50	7.62	7.25	3.625	7.00	3.134	.875	5.75	2805
LC4013ATZ	COUPLED	60.19	50.06	24.00	36.00	7.62	7.25	3.625	7.00	3.134	.875	5.75	7.62	7.25	3.625	7.00	3.134	.875	5.75	3100
ULC4013ATZ	BELTED	61.19	50.06	24.00	36.00	8.62	8.25	4.125	8.00	3.563	1.000	6.50	7.62	7.25	3.625	7.00	3.134	.875	5.75	3105

FRAME	XA	XB	XC	XD	XE	XF	XD	XP
C4011ATZ-ULC4013ATZ	16.00	6.00	1.25	26.00	9.84	18.75	42.94	22.50

- (1) "B" DIMENSION WILL NOT BE EXCEEDED. SHIMS UP TO .06 INCHES IN THICKNESS ARE USUALLY REQUIRED FOR COUPLED OR GEARED MACHINES.
- (2) "U" AND "FU" VARY +.000 - .001
- (3) "R" AND "FR" VARY +.000 - .015
- (4) CUSTOMER TO PROVIDE HOLE IN TERMINAL BOX FOR CONDUIT.
- (5) OPPOSITE DRIVE END SHAFT SUPPLIED ONLY WHEN SPECIFIED.
- (6) MOTOR SHAFT TAPPED FOR SCREW-IN STUB SHAFT
- (7) WHEN THE MOTOR APPLICATION DOES NOT REQUIRE THE USE OF OPP. DRIVE END, ADD .25 TO "C" DIM. FOR BRACKET COVER.
- (8) FOR HORIZONTAL APPLICATIONS ONLY.



TERMINAL BOX LOCATED ON OPPOSITE SIDE WHEN F-2, W-1, V-4, V-5, W-7, OR C-1 MOUNTING IS SPECIFIED. BOX LOCATED ON TOP WHEN SPECIFIED. BLOWER ASSEMBLY CAN BE LOCATED AT POSITIONS 1, 2, OR 4. MOTOR WEIGHT MAY VARY 15% FOR NON-STANDARD RATINGS AND/OR ACCESSORIES. IF MOUNTING CLEARANCE DETAILS ARE REQUIRED, CONSULT FACTORY.

CUSTOMER IS RESPONSIBLE FOR DETERMINING THAT BALDOR'S PRODUCT WILL PERFORM SUITABLY IN THE INTENDED APPLICATION.

REV. DESC: LOADED TO BUS	VERSION: 00	TDR: 000000577407
REV. LTR: -	REVISED: 12:40:55 01/26/2011	BY: CONNAS
FILE: \RGG\00015\603		
MTL: -		

BALDOR

DIMENSION DRAWING, C4011ATZ - ULC4013ATZ, DPP, FOOT MTG.

SH 1 of 1