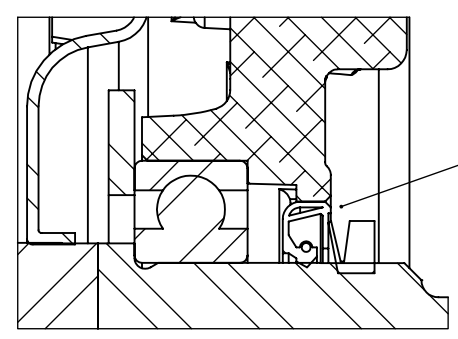
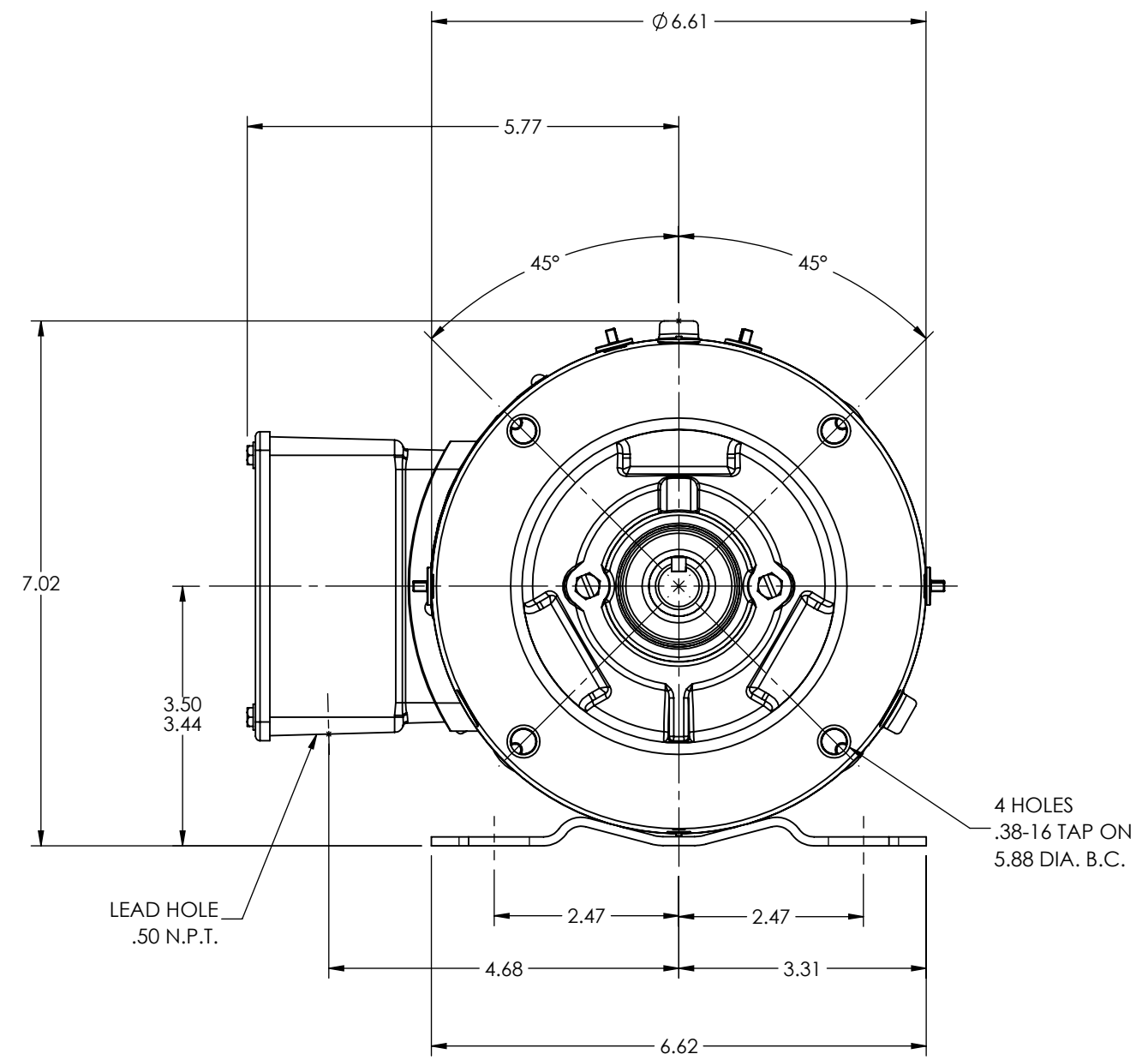
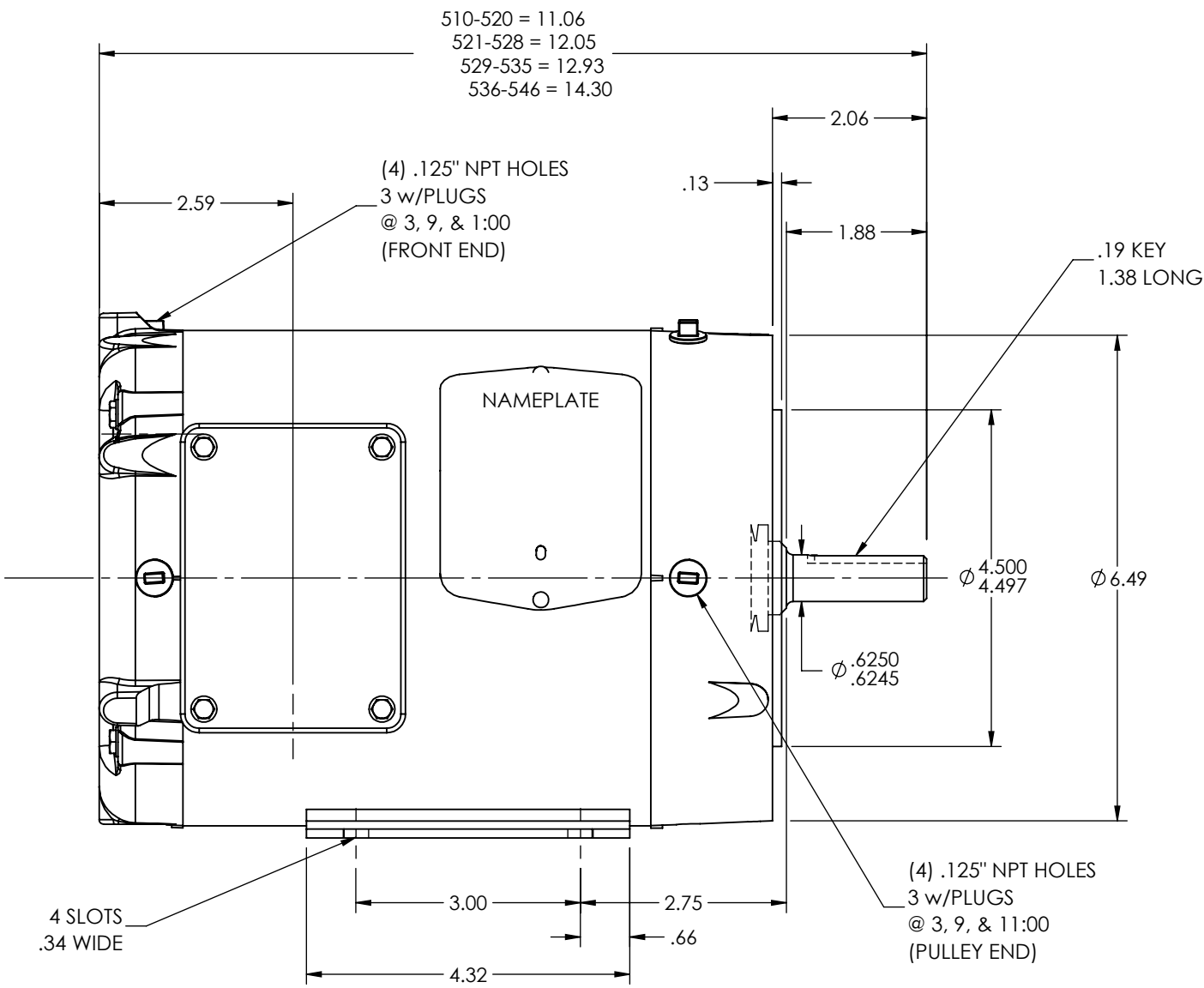


8 7 6 5 4 3 2 1

35LYS588

D
C
B
A

D
C
B
A



OMIT LOCK-WASHERS & APPLY
SEALER UNDER BEARING
RETAINER SCREW HEADS &
HOUSING O.D. BEFORE PRESSING
IN SEAL.

PULLEY END DETAIL

CUSTOMER IS RESPONSIBLE FOR DETERMINING THAT BALDOR'S PRODUCT WILL PERFORM SUITABLY IN THE INTENDED APPLICATION.

REV. DESC: LOADING OF SWD DWG FOR 2D TO 3D CONVERSION			
REV: F	VERSION: 06	REVISED: 03:00:24 10/31/2018	TDR: 000001089746
MODEL NO: 35LYS588			REF: -
BY: ENALEM0	Material: -		

BALDOR - RELIANCE®

STD HORZ 56C TENV 35M WD (S/P #9)
SH 1 of 1



35LYS588

8 7 6 5 4 3 2 1