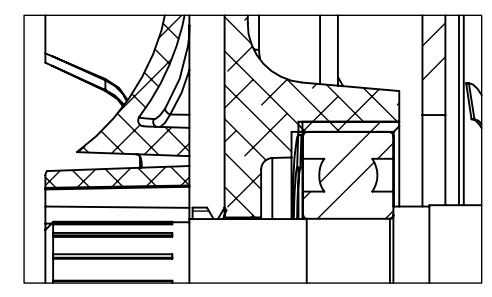
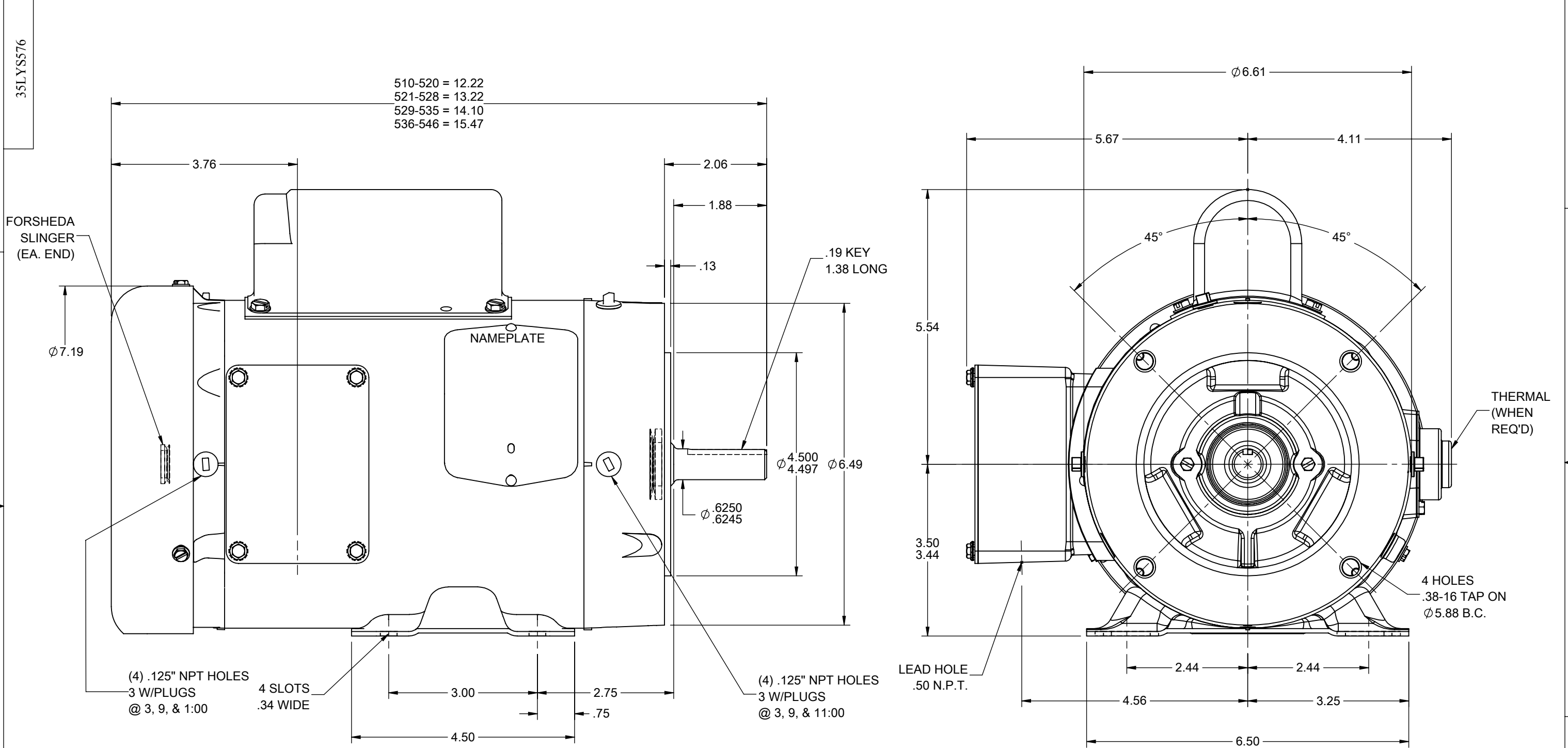
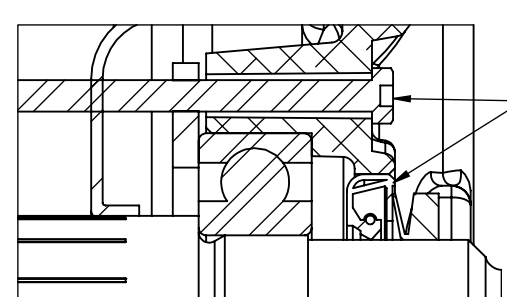


8 7 6 5 4 3 2 1



FRONT END DETAIL



PULLEY END DETAIL

OMIT LOCKWASHER & APPLY SEALER UNDER BEARING RETAINER SCREW HEADS & HOUSING O.D BEFORE PRESSING IN SEAL

CUSTOMER IS RESPONSIBLE FOR DETERMINING THAT THE PRODUCT WILL PERFORM SUITABLY IN THE INTENDED APPLICATION

REV. DESC: FLIP SEAL			
REV: F	VERSION: 06	REVISED: 08:14:20 03/11/2019	TDR: 000001102174
MODEL NO. 35LYS576			REF: -
BY: ENWINB0			B

**BALDOR - RELIANCE®**

STD HORZ 56C TEFC 35L WD (S/P #9)  
SH 1 of 1

35LYS576

8 7 6 5 4 3 2 1