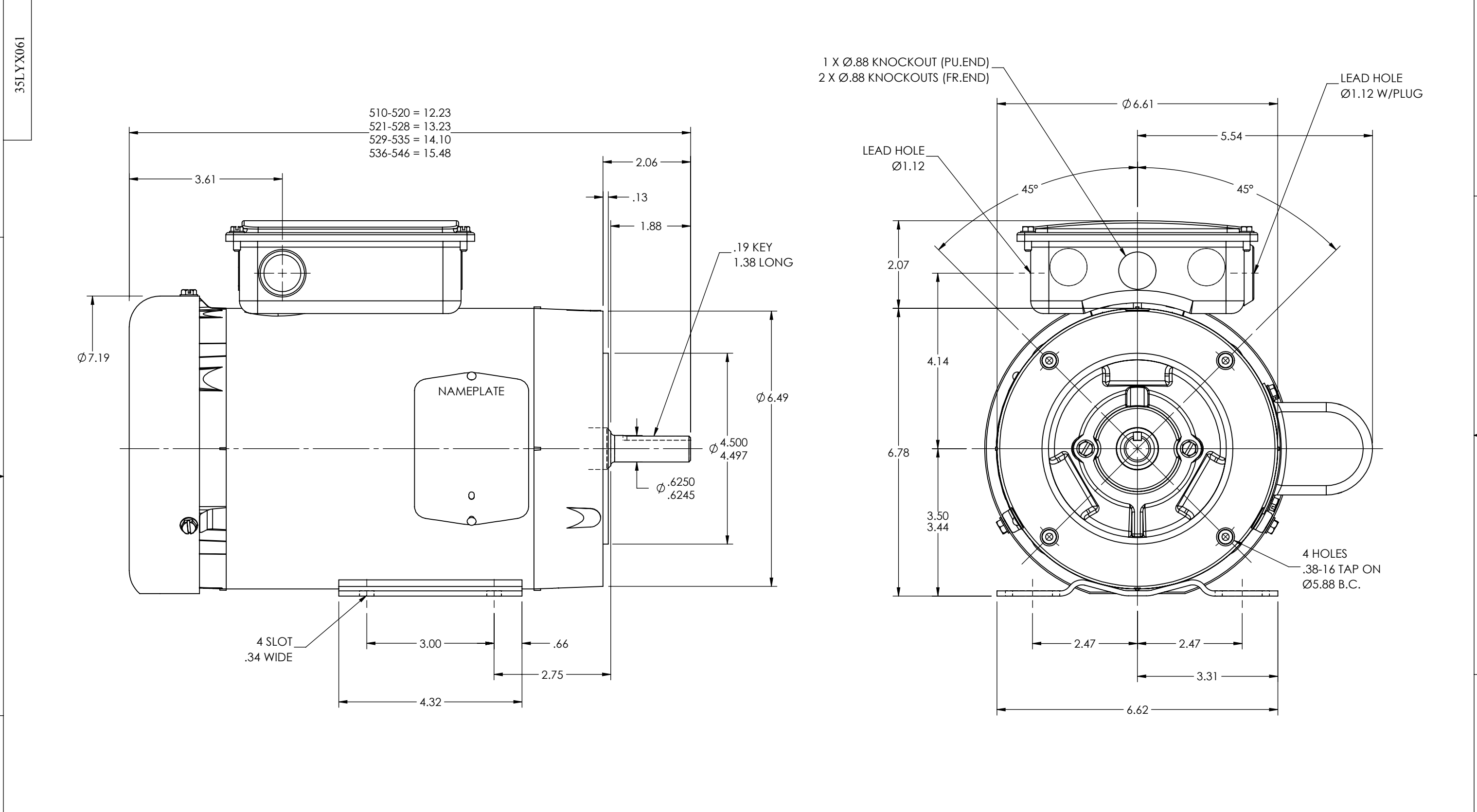


8 7 6 5 4 3 2 1



CUSTOMER IS RESPONSIBLE FOR DETERMINING THAT THE PRODUCT WILL PERFORM SUITABLY IN THE INTENDED APPLICATION

REV. DESC: LOADING OF SWD DWG FOR 2D TO 3D CONVERSION PKG 15			
REV: D	VERSION: 04	REVISED: 08:17:19 01/22/2019	TDR: 000001096905
MODEL NO. 35LYX061		REF: -	
BY: ENALEM0		B	

BALDOR - RELIANCE®

HOR 56C TEFC 35L F3 CAP @3, W/35CB4007 @ 12
SH 1 of 1

8 7 6 5 4 3 2 1

35LYX061