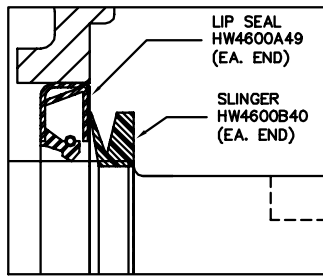
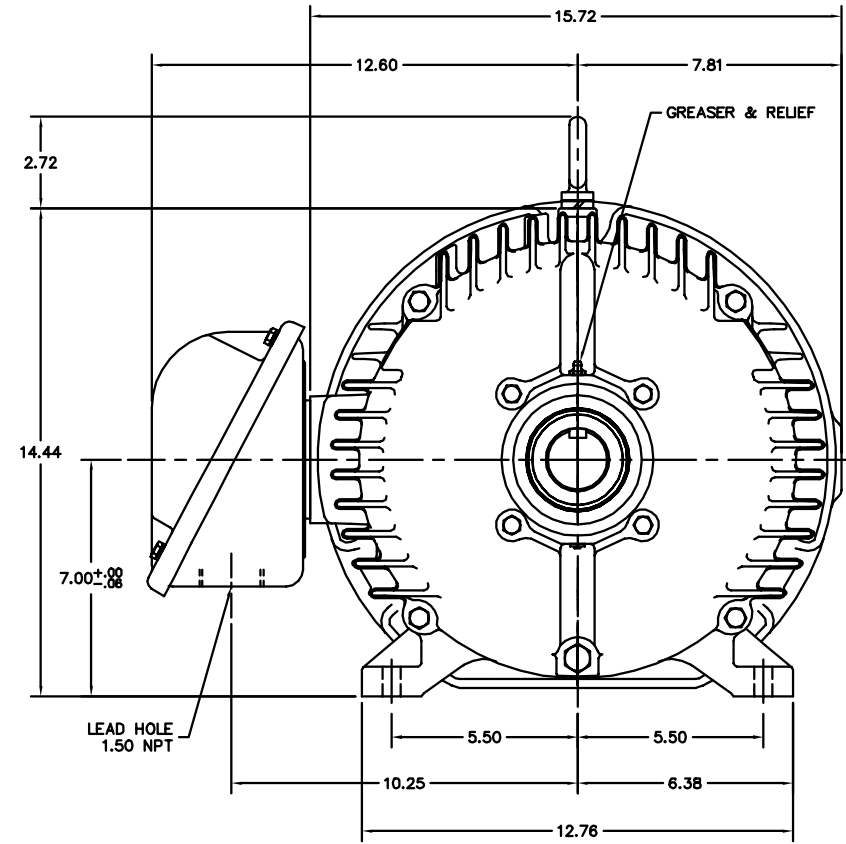
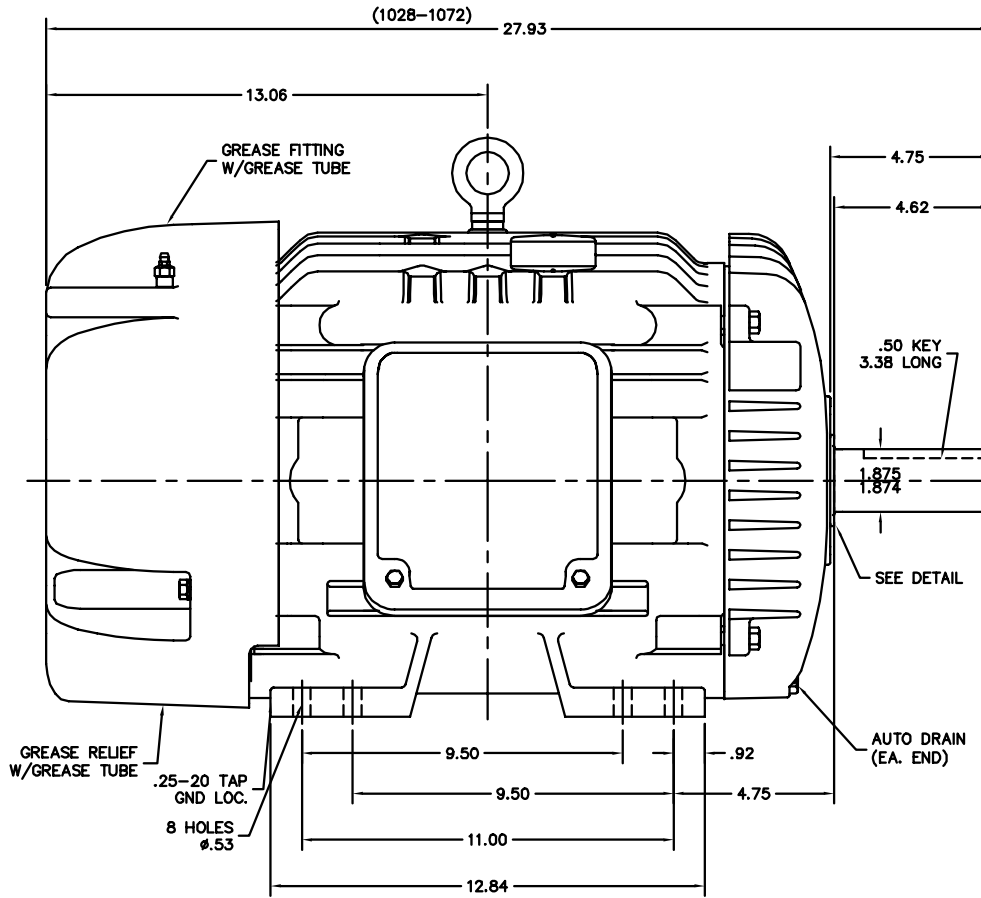


10LYH161



CUSTOMER IS RESPONSIBLE FOR DETERMINING THAT BALDOR'S PRODUCT WILL PERFORM SUITABLY IN THE INTENDED APPLICATION.

REV. DESC: ADDED GND HOLE TAP SIZE	VERSION: 02	TDR: 00000954909
REV. LTR: B	REVISD: 02:39:23 12/07/2015	BY: ENNINDO
FILE: \AAA\00170\562		
MTL: -		

BALDOR

HORZ TEFC 284-6T ECP W/311 BRGS & LIP SEALS
SH 1 of 1

10LYH161