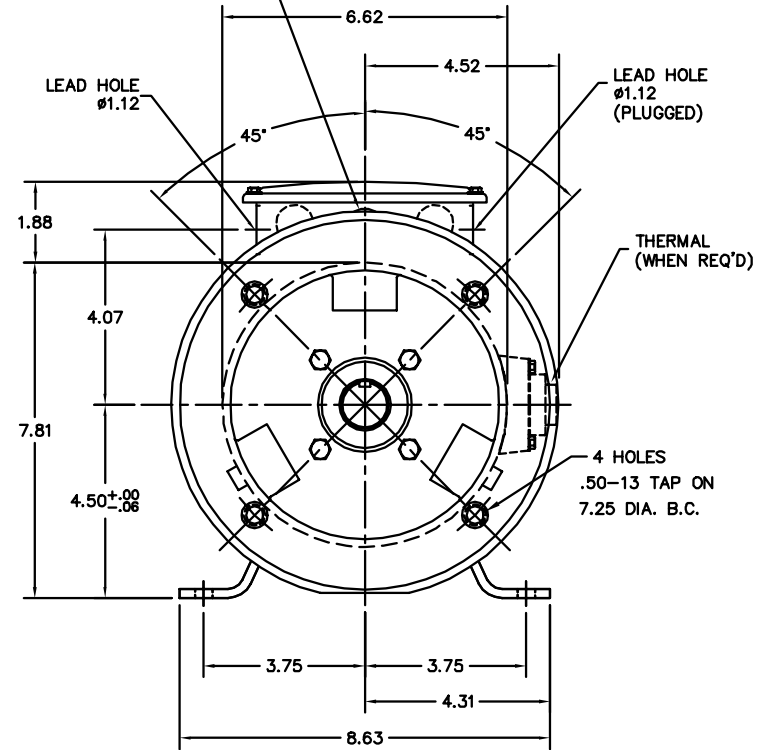


1 X ϕ .88 KNOCKOUT (PU. END)
2 X ϕ .88 KNOCKOUTS (FR. END)



CUSTOMER IS RESPONSIBLE FOR DETERMINING THAT MOTOR PERFORMANCE IS SUITABLE IN THE APPLICATION.

REV. DESC: NEW	VERSION: 00	TDR: 000000448472
REV. LTR: -	REVISED: 15:45:57 12/03/2007	BY: ENALEMO
FILE: \AAA\00152\729	MTL: -	

BALDOR • DODGE • RELIANCE

HORZ 182-4TC TEFC M F3 W/35CB4007