

DUTY MASTER ALTERNATING CURRENT MOTORS

SQUIRREL-CAGE INDUCTION

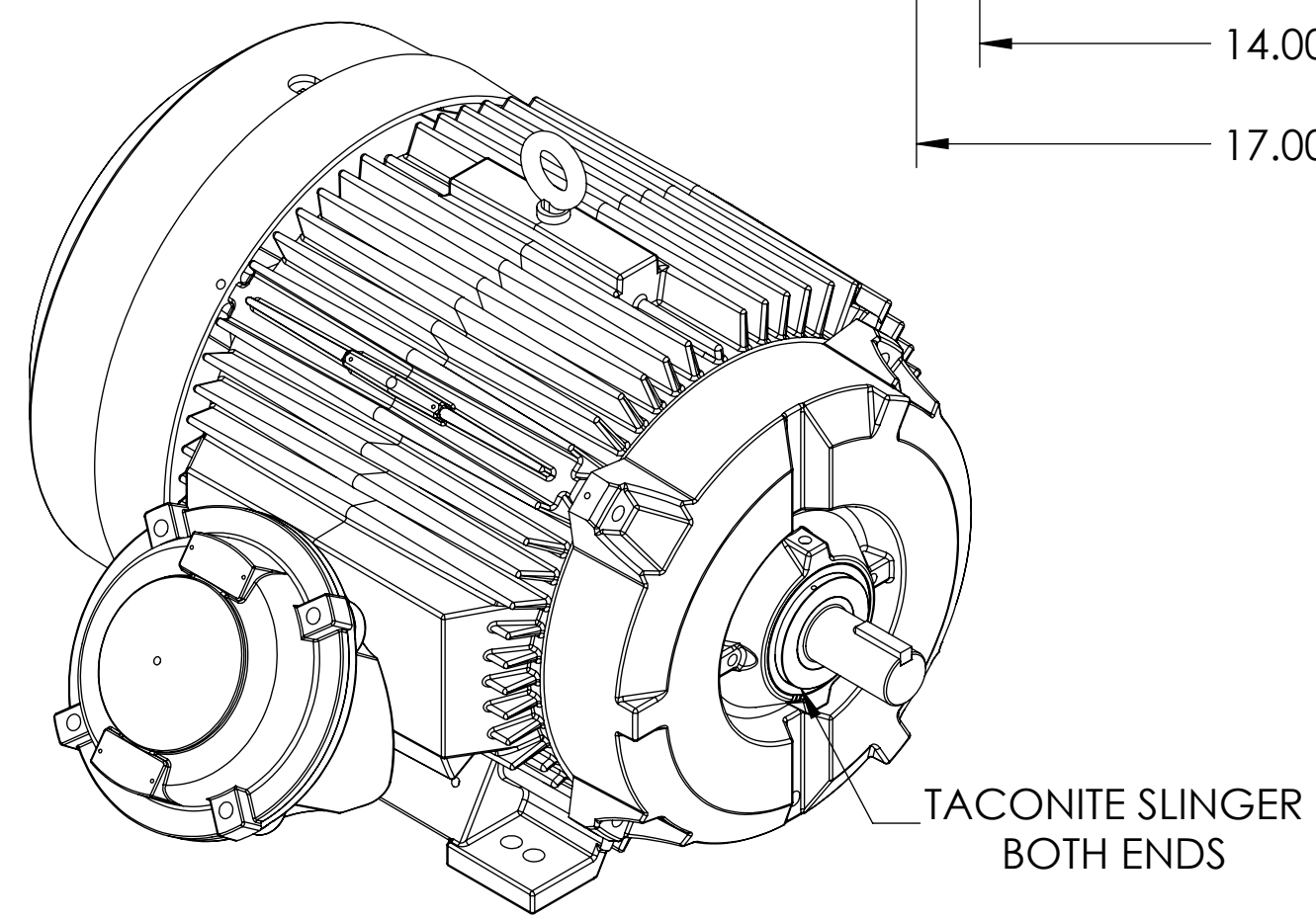
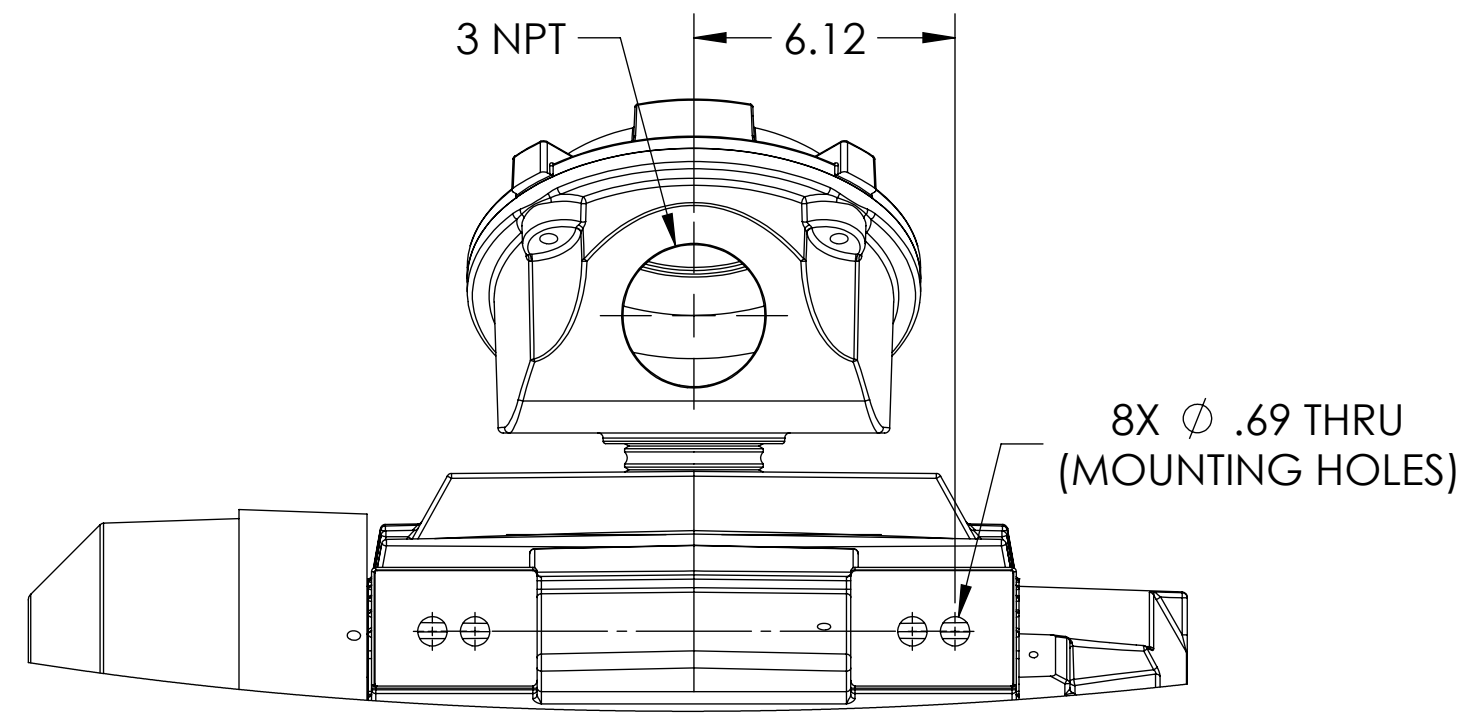
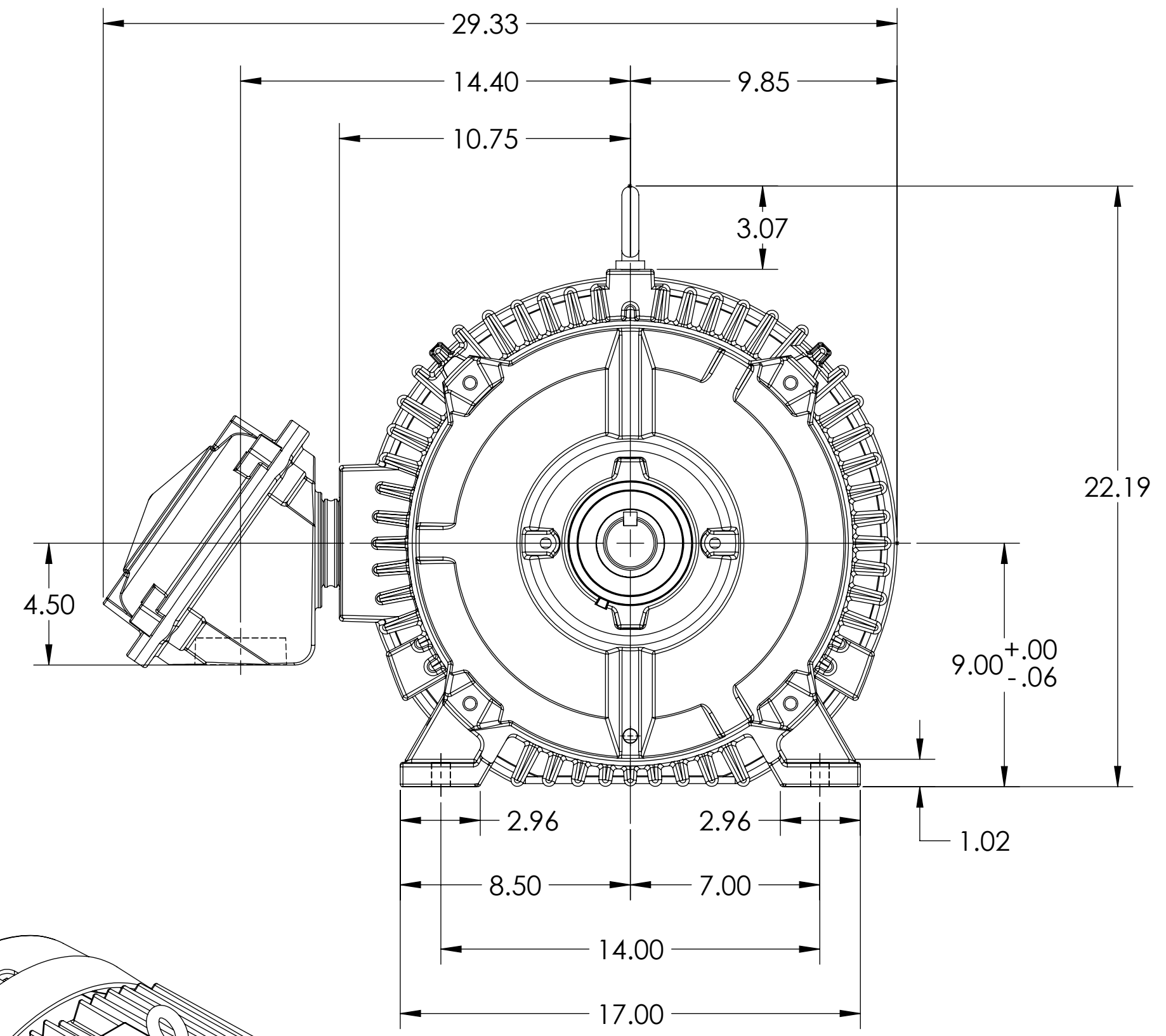
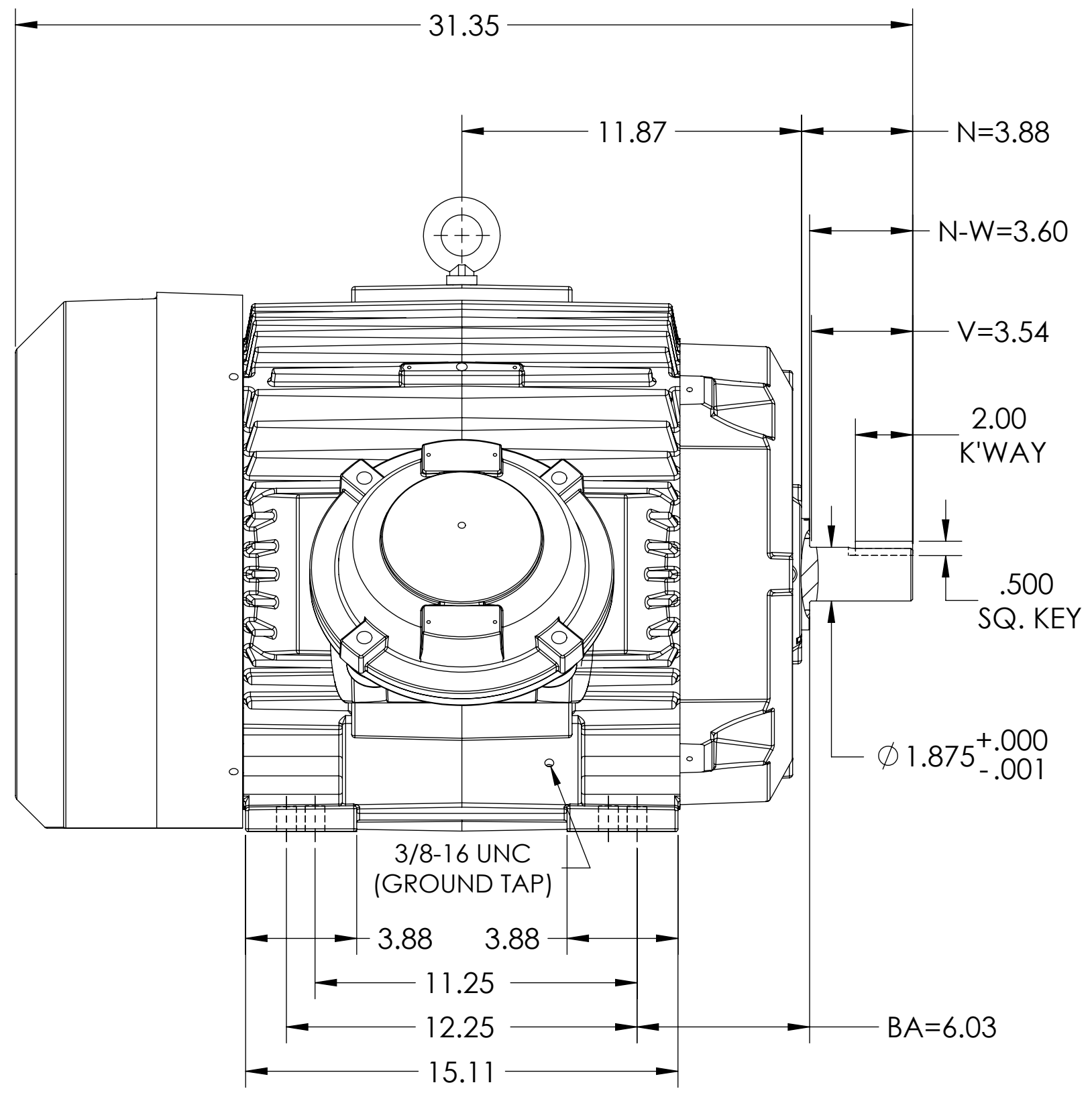
ENCLOSURE: UNDERWRITER MOTOR

MOUNTING: FOOT, F-1

E365TS/E364TS FRAME MOUNTING HOLES

COOLING: FAN COOLED XP

GROUP C & D



DIMENSIONS ARE IN INCHES.
CUSTOMER IS RESPONSIBLE FOR DETERMINING THAT MOTOR PERFORMANCE IS SUITABLE IN THE APPLICATION.

SHEET NUMBER
1 OF 1
617428-706

IF MOUNTING CLEARANCE DETAILS ARE REQUIRED, CONSULT FACTORY.

MAX PERMISSIBLE SHAFT RUNOUT WHEN MEASURED AT END OF STANDARD SHAFT EXTENSION IS .003 T.I.R.

REV. DESC: NEW DRAWING			
REV: -	VERSION: 00	REVISED: 09:27:07 04/26/2019	TDR: 000001106443
MODEL NO. 617428-706			
BY: USJEDIL			

BALDOR

E365/364TS FCXP F1 FT/CAST IRON BOX/GRP C&D/TACONITE SLINGER