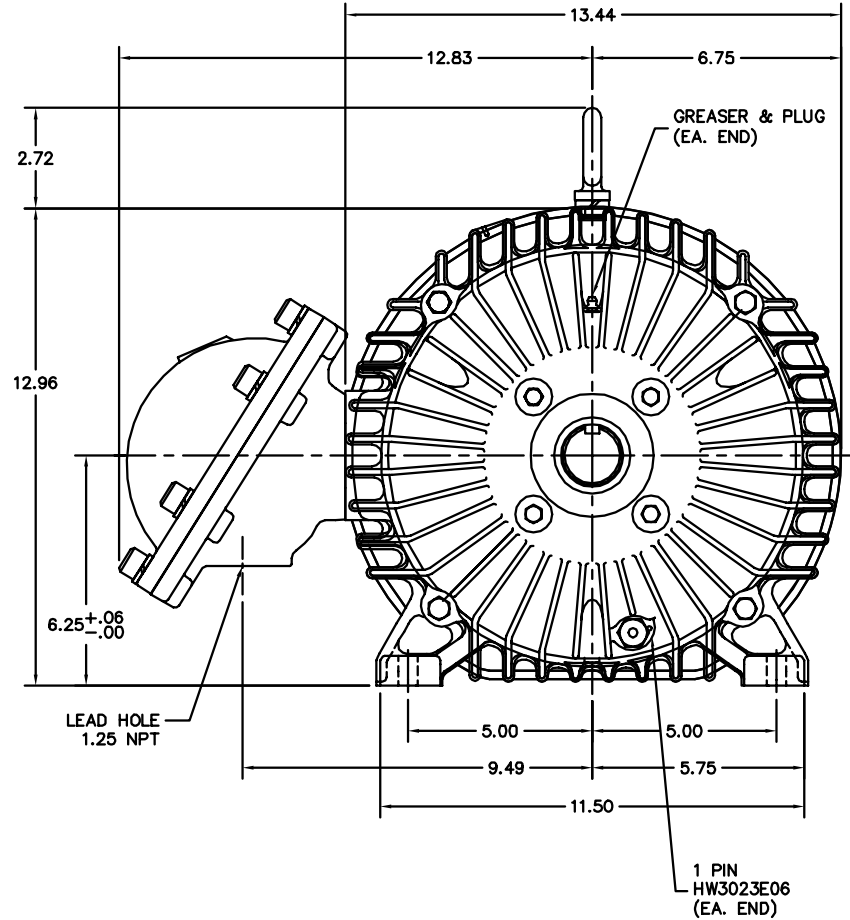
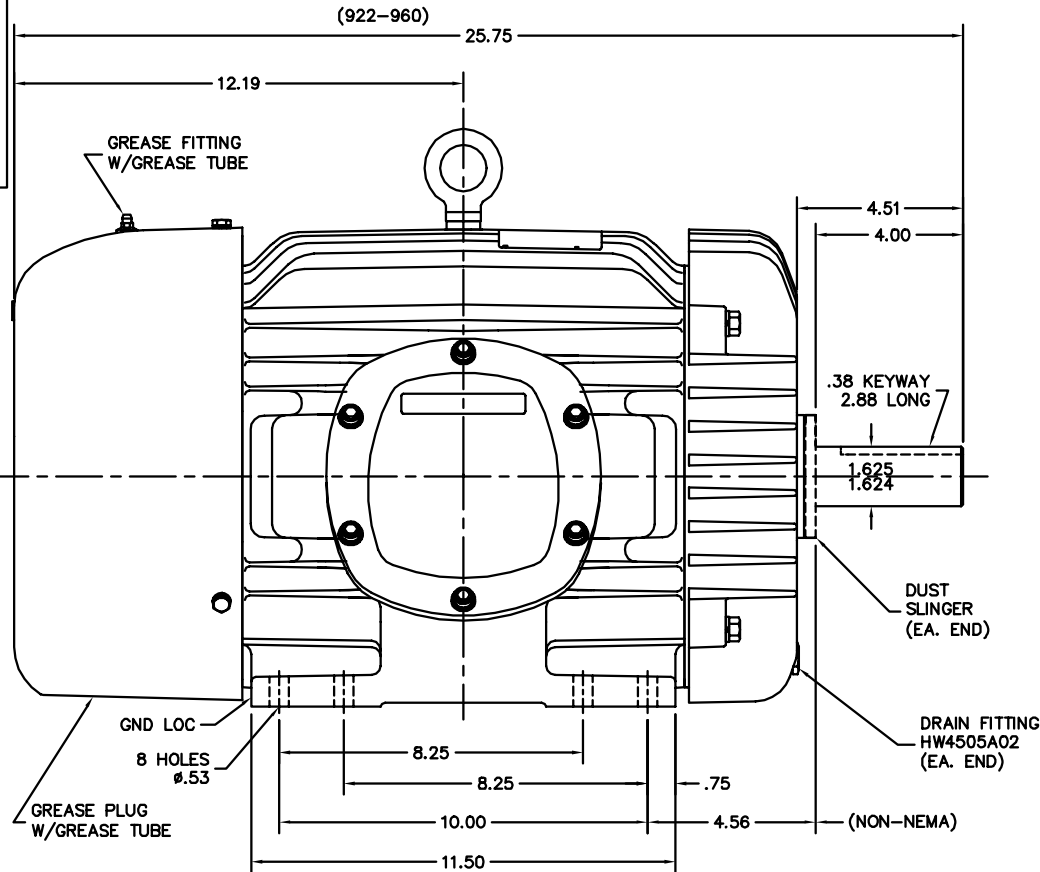


09LYM363



CUSTOMER IS RESPONSIBLE FOR DETERMINING THAT BALDOR'S PRODUCT WILL PERFORM SUITABLY IN THE INTENDED APPLICATION.

REV. DESC: CHANGED "T" TO "TY"		
REV. LTR: B	VERSION: 02	TDR: 000001106427
FILE: \AAA\00228\012	REVISED: 08:43:36 04/25/2019	BY: ENSHABO
MTL: -		

BALDOR - RELIANCE®

HORZ XPFC 254-6TY CL.I GP.C&D CL.II GP.E,F&G W/CP FEAT & GND

SH 1 of 1

09LYM363