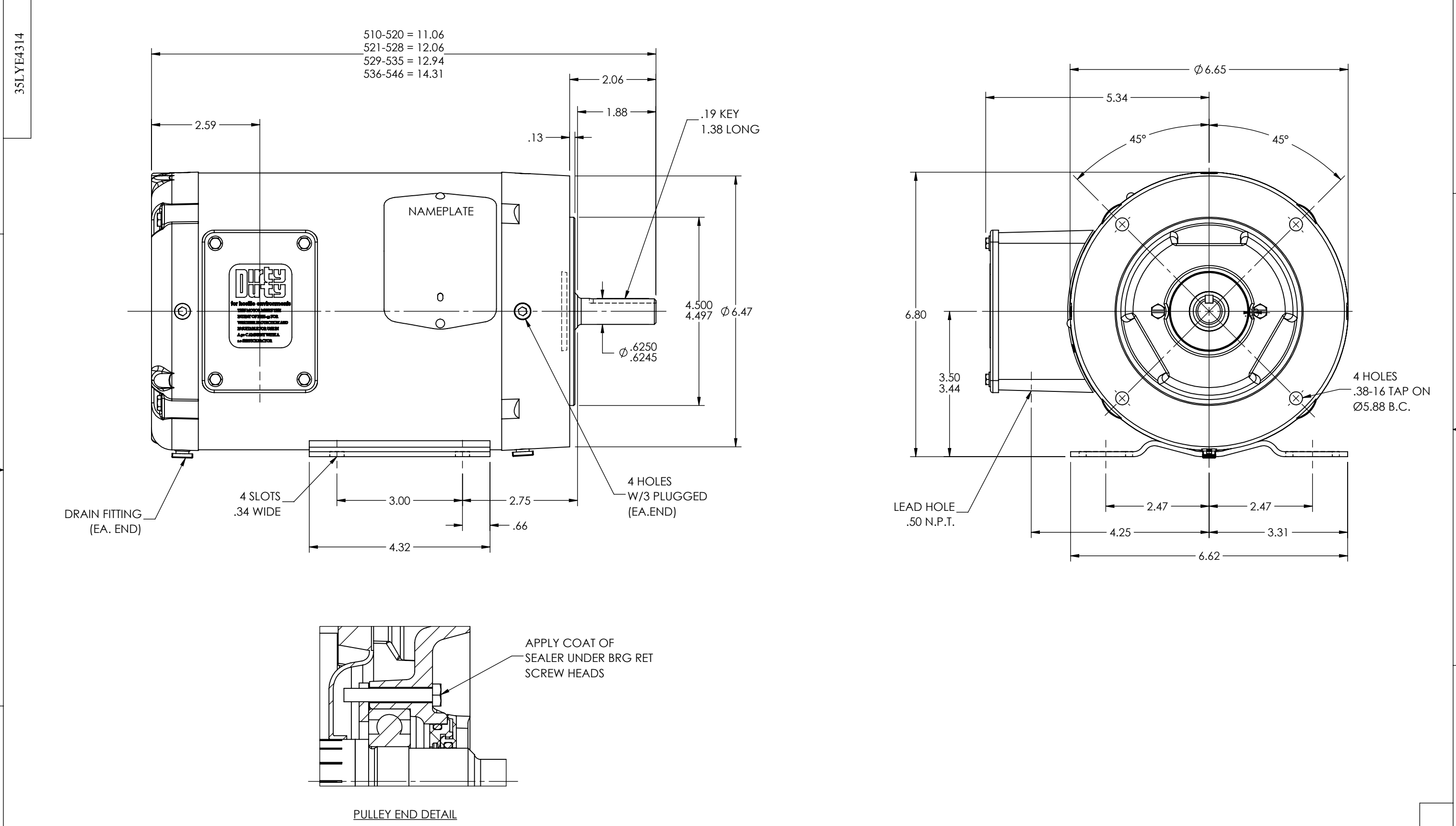


8 7 6 5 4 3 2 1



CUSTOMER IS RESPONSIBLE FOR DETERMINING THAT THE PRODUCT WILL PERFORM SUITABLY IN THE INTENDED APPLICATION

REV. DESC: LOADING OF SWD DWG FOR 2D TO 3D CONVERSION PKG 16				<b>BALDOR - RELIANCE®</b>
REV: A	VERSION: 01	REVISED: 01:12:37 02/01/2019	TDR: 000001098202	
MODEL NO. 35LYE4314			REF: -	
BY: ENALEM0			<b>B</b>	STD HORZ 56C TENV 35M DDP SH 1 of 1

35LYE4314

8 7 6 5 4 3 2 1