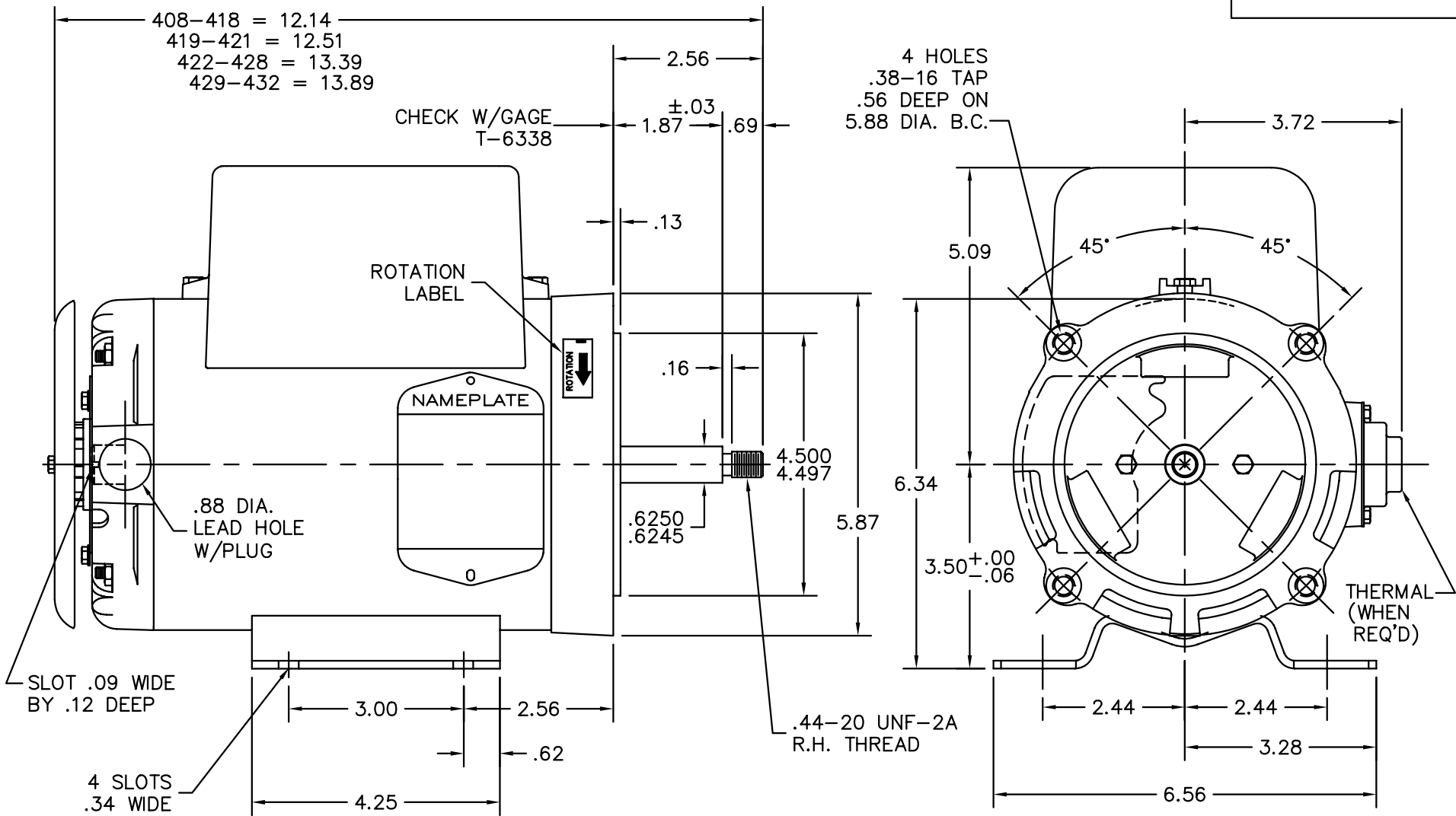


34LYF532



CUST. NAME		CUST. P.O.		CERTIFIED BY		MODEL		INSUL		AMB			
H.P.		MTG		TYPE		R.P.M.		VOLTS		ENCL			
PHASE		FREQ		FRAME		<h1>BALDOR ELECTRIC Co.</h1> <p>STD HORZ 34LC NEMA 56J OPEN W/TERM PANEL & DRIP COVER</p>							
REV. LTR: -		BY: WMB		REVISED: 01/05/99 11:18								TDR: 0170352	
34LYF532		FILE: AAA00061301		MDL: -									
MTL: -													

34LYF532