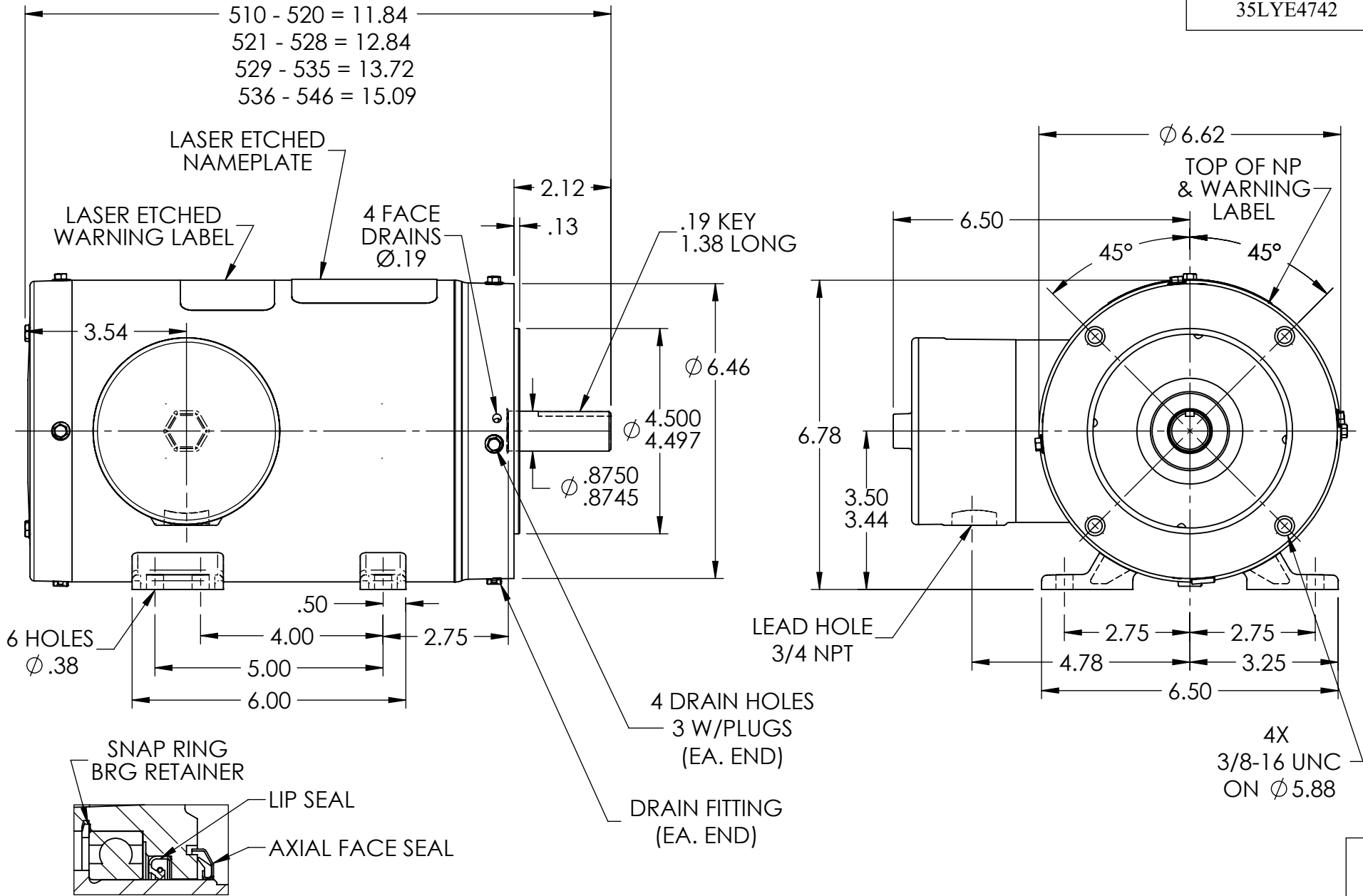


35LYE4742



PULLEY END DETAIL

CUSTOMER IS RESPONSIBLE FOR DETERMINING THAT BALDOR'S PRODUCT WILL PERFORM SUITABLY IN THE INTENDED APPLICATION

REV. DESC: 3.50/3.44 WAS 3.5 +.00/-0.06			
REV: A	VERSION: 01	REVISED: 06:42:28 04/25/2019	TDR: 000001106847
35LYE4742		MODEL NO. 35LYE4742	REF: -
		BY: ENMARH0	

BALDOR

STD HORZ 143/5TC TENV 35M WD11/12

35LYE4742