

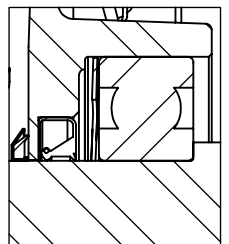
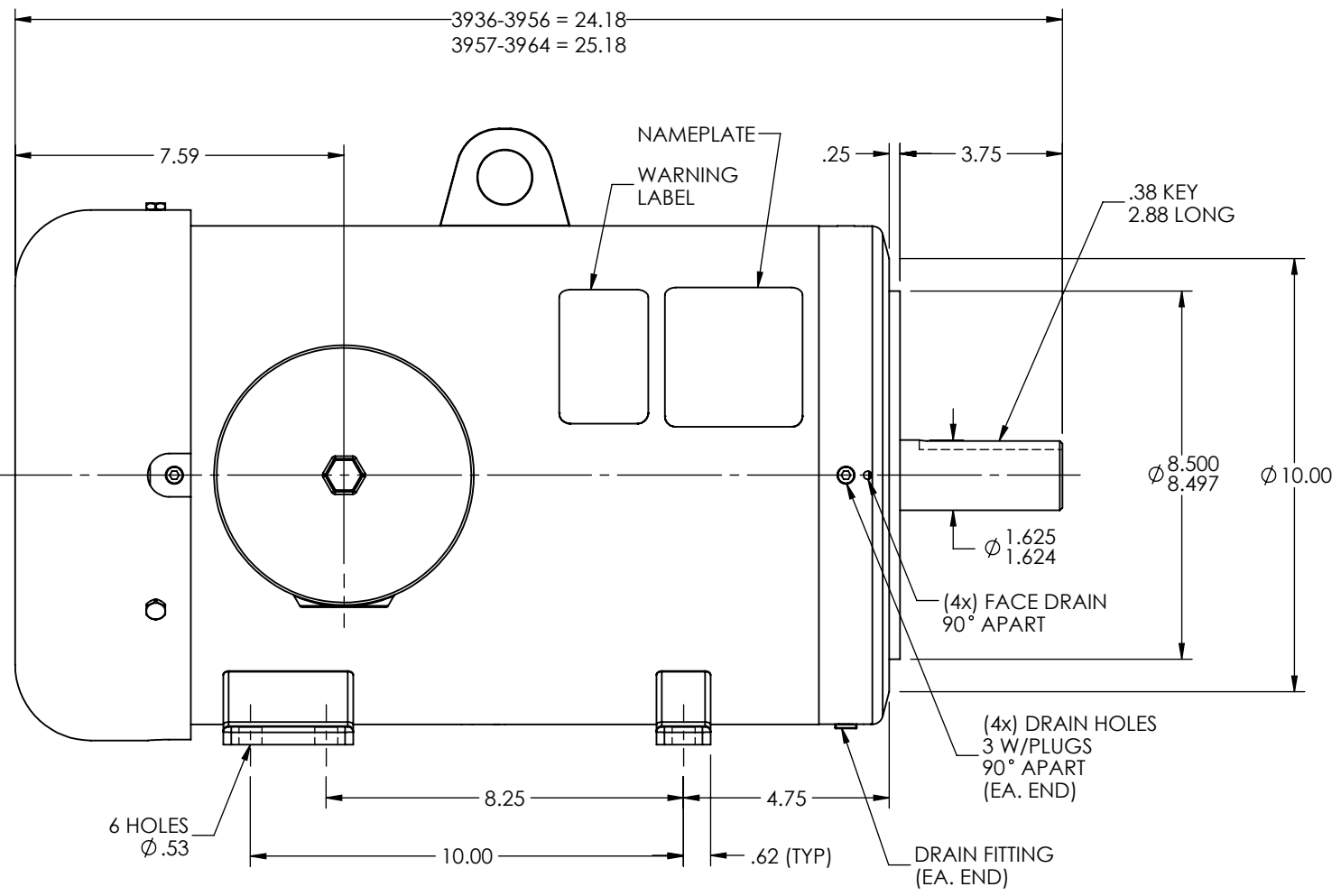
39LYE646

D

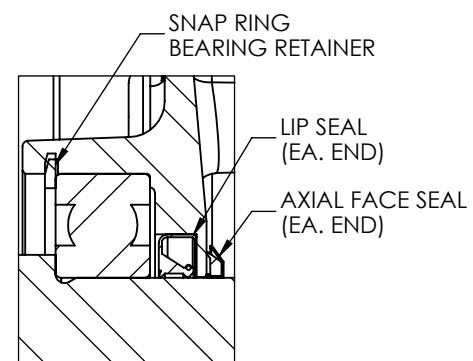
C

B

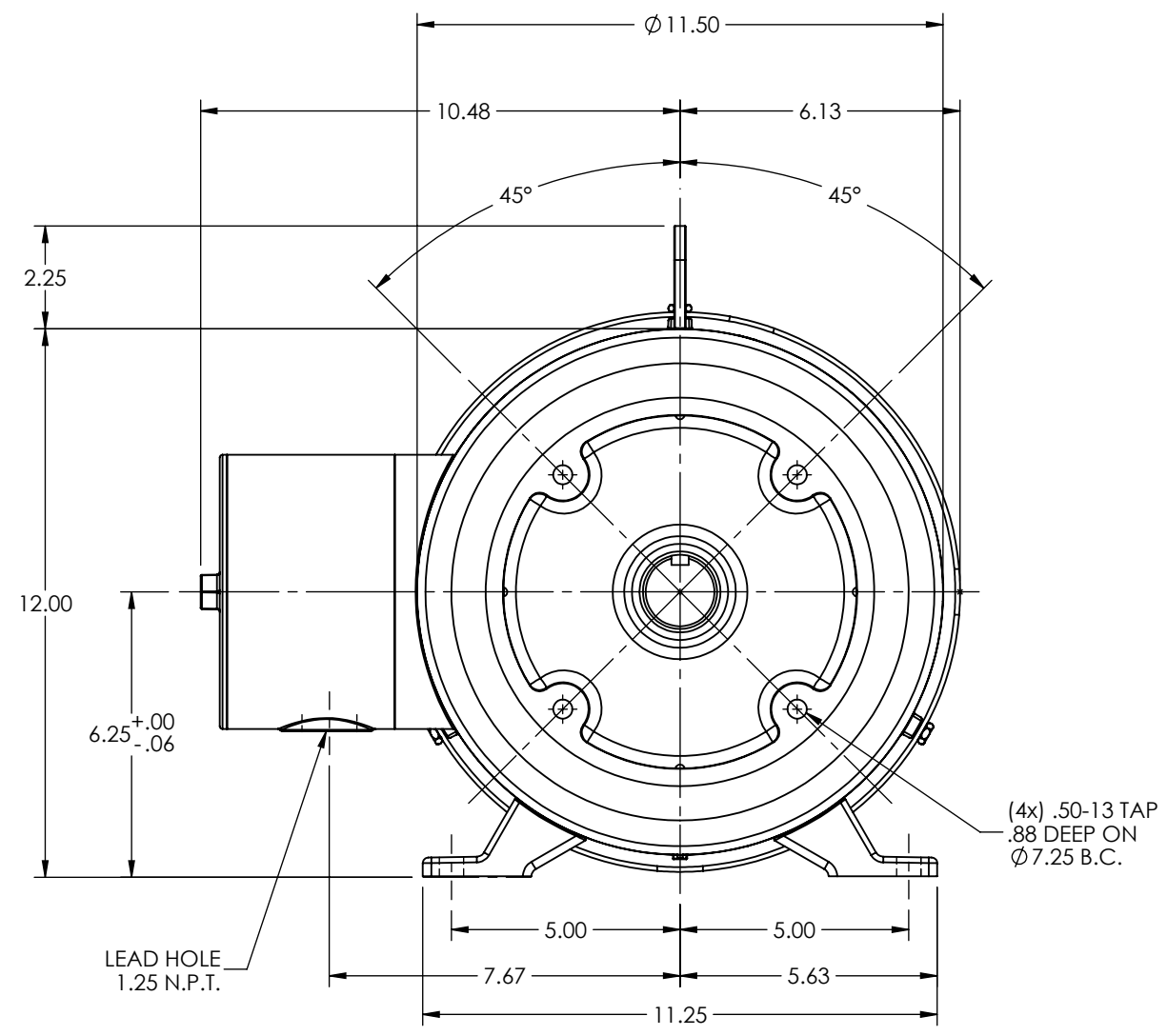
A



FRONT END DETAIL



PULLEY END DETAIL



D

C

B

A

39LYE646

CUSTOMER IS RESPONSIBLE FOR DETERMINING THAT THE PRODUCT WILL PERFORM SUITABLY IN THE INTENDED APPLICATION

REV. DESC: 3 PL. DIM. DRW CLEAN UP, TITLE BLOCK UPDATE			
REV: C	VERSION: 03	REVISED: 02:07:16 06/05/2018	TDR: 000001073522
MODEL NO. 39LYE646			REF: -
BY: ENADAF0			B

BALDOR - RELIANCE®

HORZ TEFC 254-6TC WD11/12

8 7 6 5 4 3 2 1