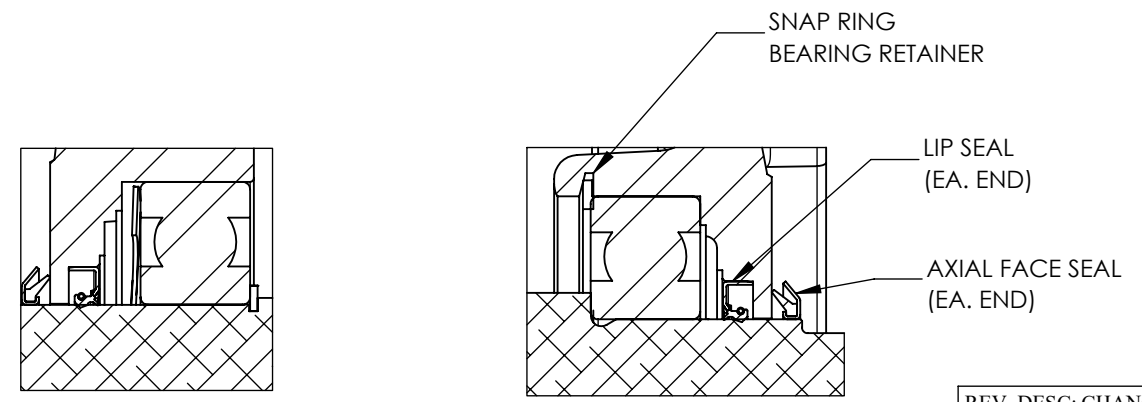
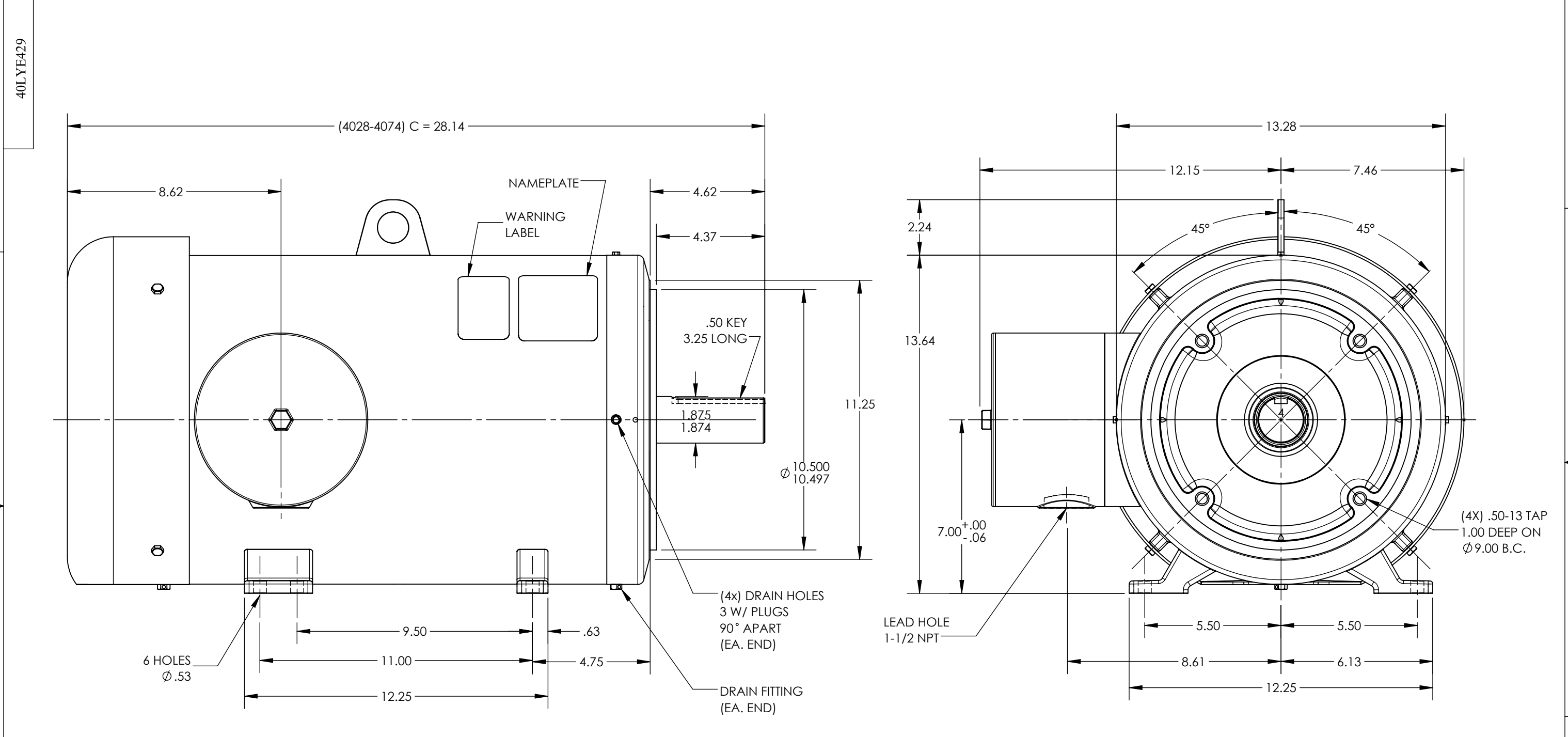


8 7 6 5 4 3 2 1



CUSTOMER IS RESPONSIBLE FOR DETERMINING THAT BALDOR'S PRODUCT WILL PERFORM SUITABLY IN THE INTENDED APPLICATION

REV. DESC: CHANGE TO 40 STATUS			
REV: B	VERSION: 02	REVISED: 05:03:08 03/29/2018	TDR: 000001066195
MODEL NO. 40LYE429			REF: -
BY: ENADAF0			B

BALDOR

HORZ TEFC 284-6TC WD11/WD12 LIP & FACE SEALS

8 7 6 5 4 3 2 1

40LYE429