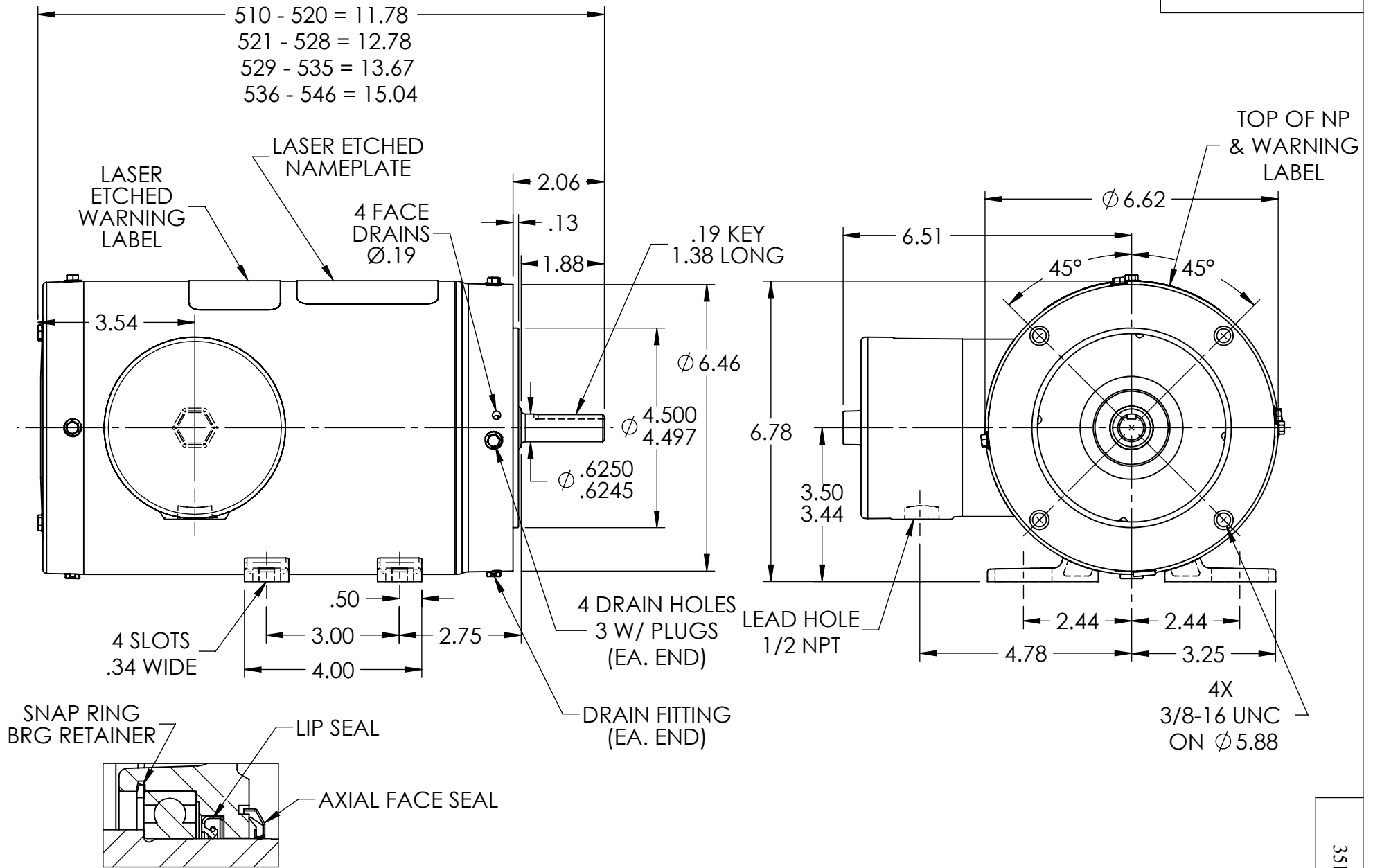


35LYE4735



PULLEY END DETAIL

CUSTOMER IS RESPONSIBLE FOR DETERMINING THAT BALDOR'S PRODUCT WILL PERFORM SUITABLY IN THE INTENDED APPLICATION

REV. DESC: 3.50 WAS 3.5

REV: B VERSION: 02 REVISED: 06:14:33 04/08/2019 TDR: 000001105091

35LYE4735

MODEL NO. 35LYE4735

REF: -

BY: ENMARH0

BALDOR

STD HORZ 56C TENV 35M WD11/12

35LYE4735