

35LYK306

D
C
B
A

8 7 6 5 4 3 2 1

510-520 = 15.30
521-528 = 16.30
529-535 = 17.18
536-546 = 18.55

.25
.19

.50 PIPE TAP
(REF)

6.06
6.00

.44

.188 KEYWAY
(ENDMILLED)
5.00 LONG

PU
END

Ø .6250
Ø .6245

1 FLAT
.06 DEEP
5.00 LONG

SLINGER TO BE
INSTALLED BY
CUSTOMER

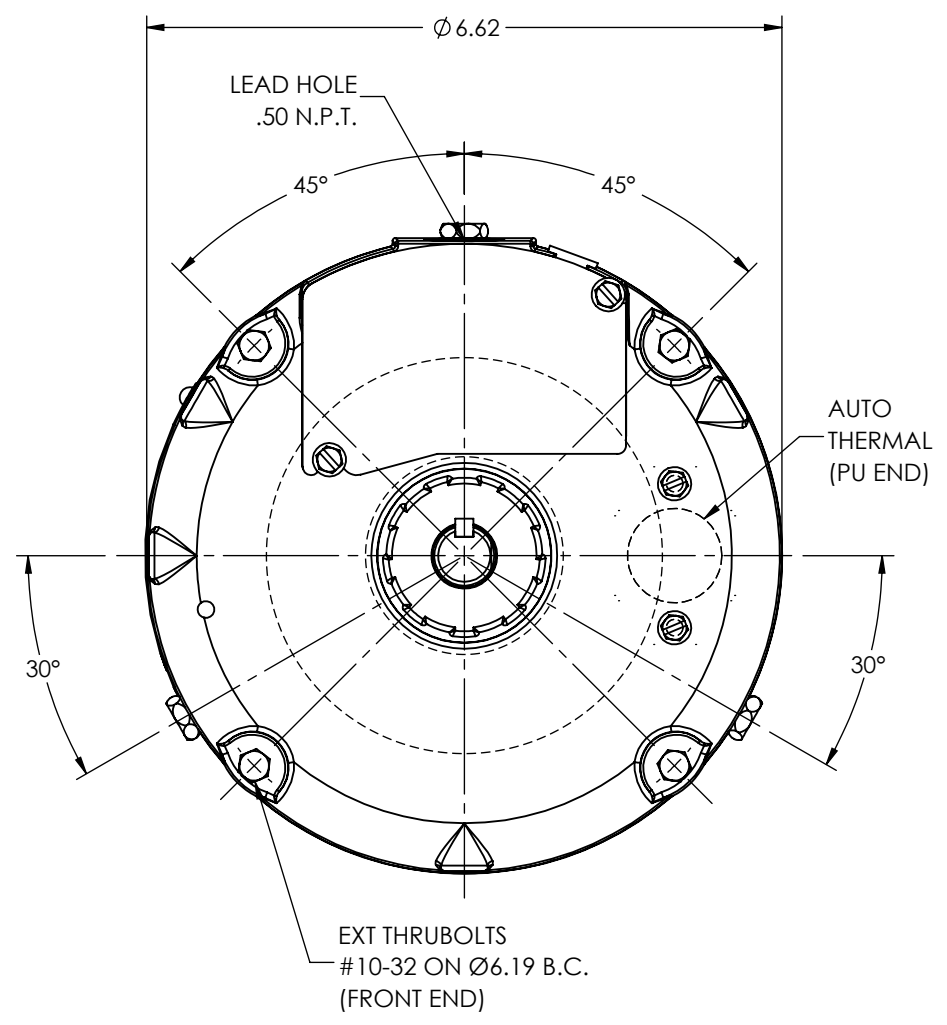
1.92

SHAFT
HOLE

NAMEPLATE

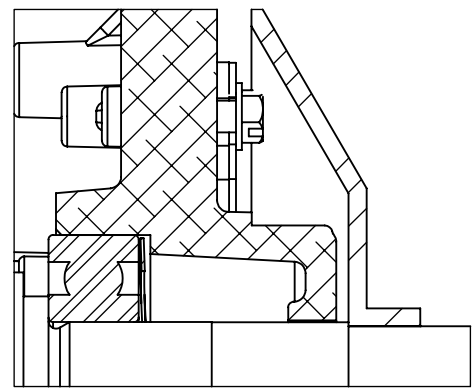
4 THRU-BOLTS
#10-32 (REF)

3 HEX HEAD
SCREWS @
120° APART



D
C
B
A

35LYK306



PULLEY END DETAIL

CUSTOMER IS RESPONSIBLE FOR DETERMINING THAT THE PRODUCT WILL PERFORM SUITABLY IN THE INTENDED APPLICATION

REV. DESC: LOADING OF SWD DWG FOR 2D TO 3D CONVERSION - PKG13			
REV: N	VERSION: 03	REVISED: 02:37:11 12/19/2018	TDR: 000001094435
MODEL NO. 35LYK306			REF: -
BY: ENSTEK0			B

BALDOR - RELIANCE®

HOR LESS BASE 56YZ OPEN 35M TP. ENCL PUEP
SH 1 of 1

8 7 6 5 4 3 2 1