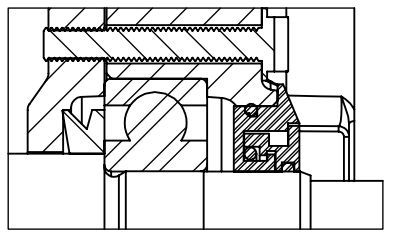
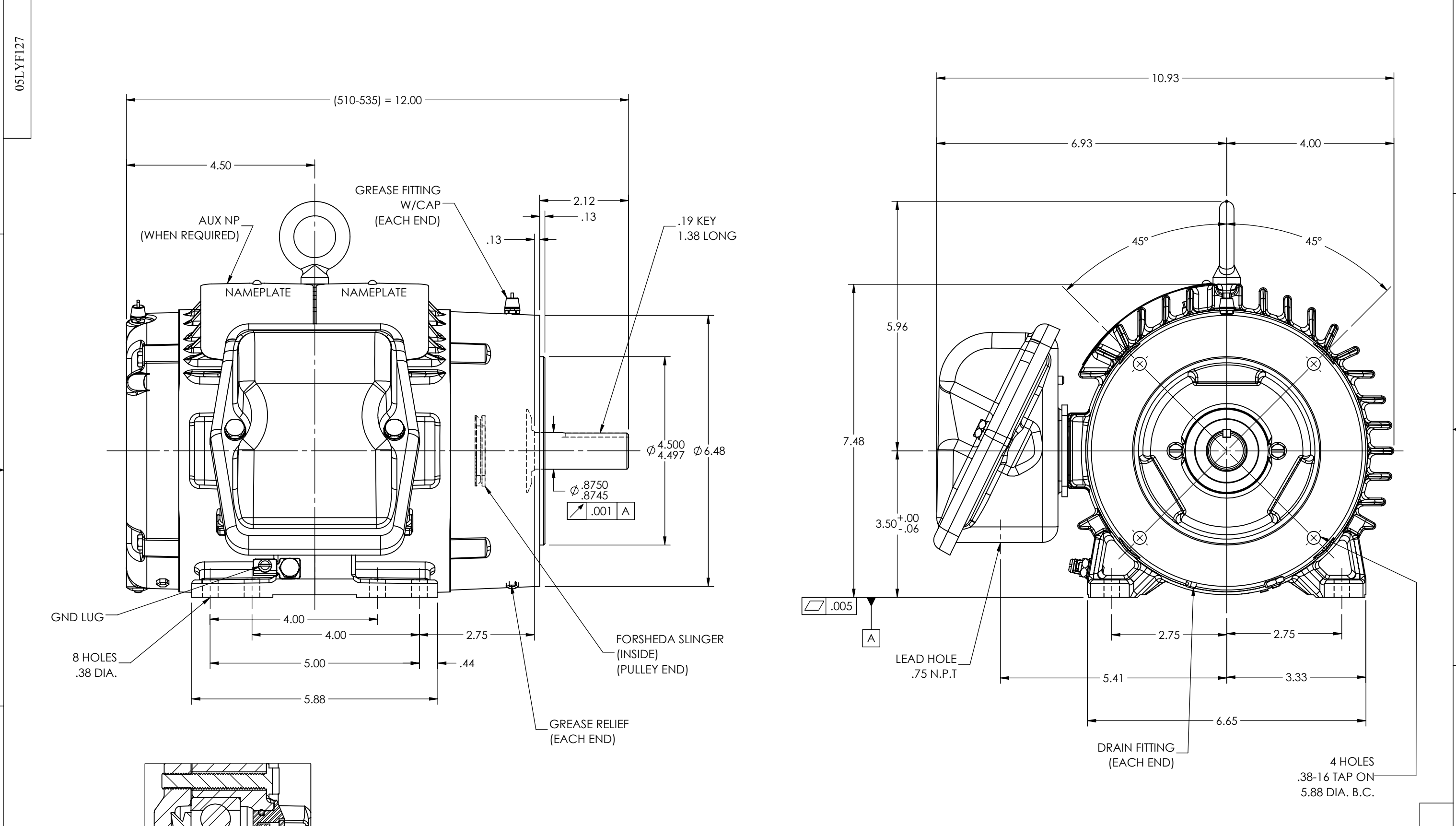


8 7 6 5 4 3 2 1



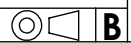
PULLEY END DETAIL

CUSTOMER IS RESPONSIBLE FOR DETERMINING THAT BALDOR'S PRODUCT WILL PERFORM SUITABLY IN THE INTENDED APPLICATION.

REV. DESC: LOADING OF SWD DWG FOR 2D TO 3D CONVERSION - PKG11			
REV: C	VERSION: 03	REVISED: 10:22:47 12/03/2018	TDR: 000001092572
MODEL NO. 05LYF127		REF: -	
BY: ENALEM0	Material: -		

BALDOR - RELIANCE®

HORZ 143-5TC TENV 05M IEEE 841
SH 1 of 1



05LYF127

05LYF127

8 7 6 5 4 3 2 1