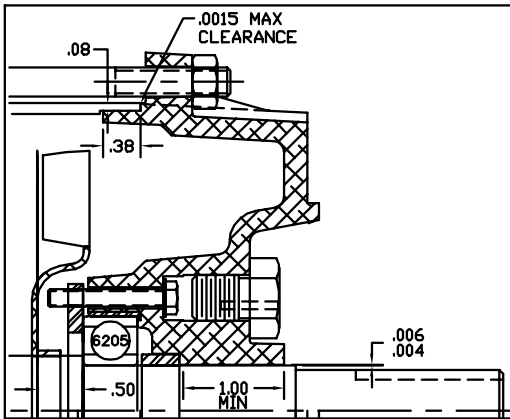
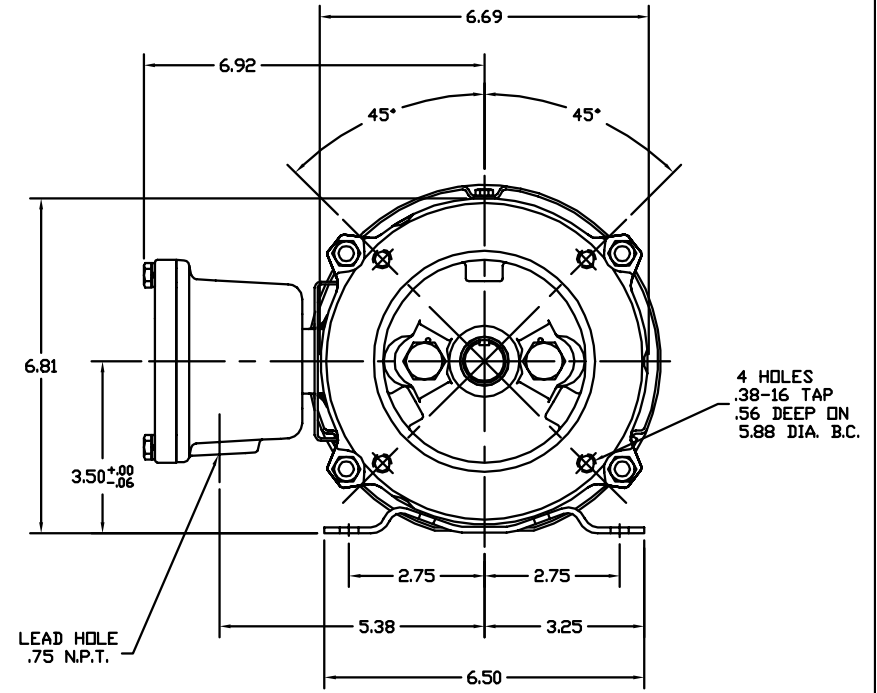
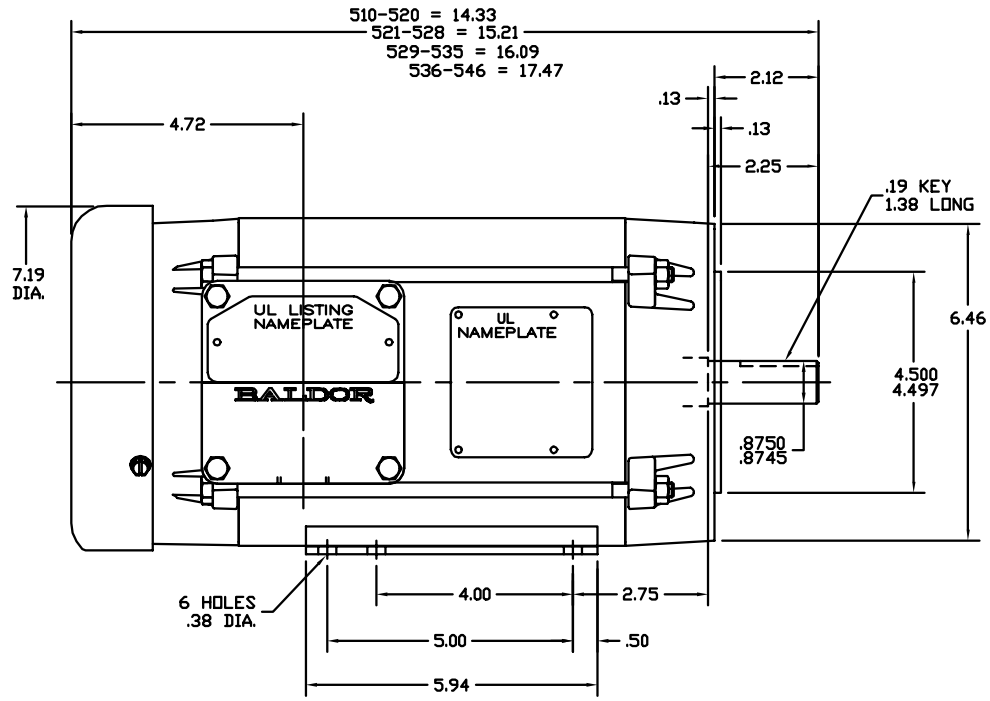


35LYJ610



CUSTOMER IS RESPONSIBLE FOR DETERMINING THAT BALDOR'S PRODUCT WILL PERFORM SUITABLY IN THE INTENDED APPLICATION.

REV. DESC: UPDATE DRWG PARTS		
REV. LTR: C	VERSION: 02	TDR: 000000737436
FILE: \AAA\00015\281	REVISED: 01:53:12 03/12/2012	BY: ENMICWI
MTL: -		

BALDOR

STD HORZ 143-5TC XPFC 35M CL-I GP-D

SH 1 of 1

35LYJ610