

# DUTY MASTER ALTERNATING CURRENT MOTORS

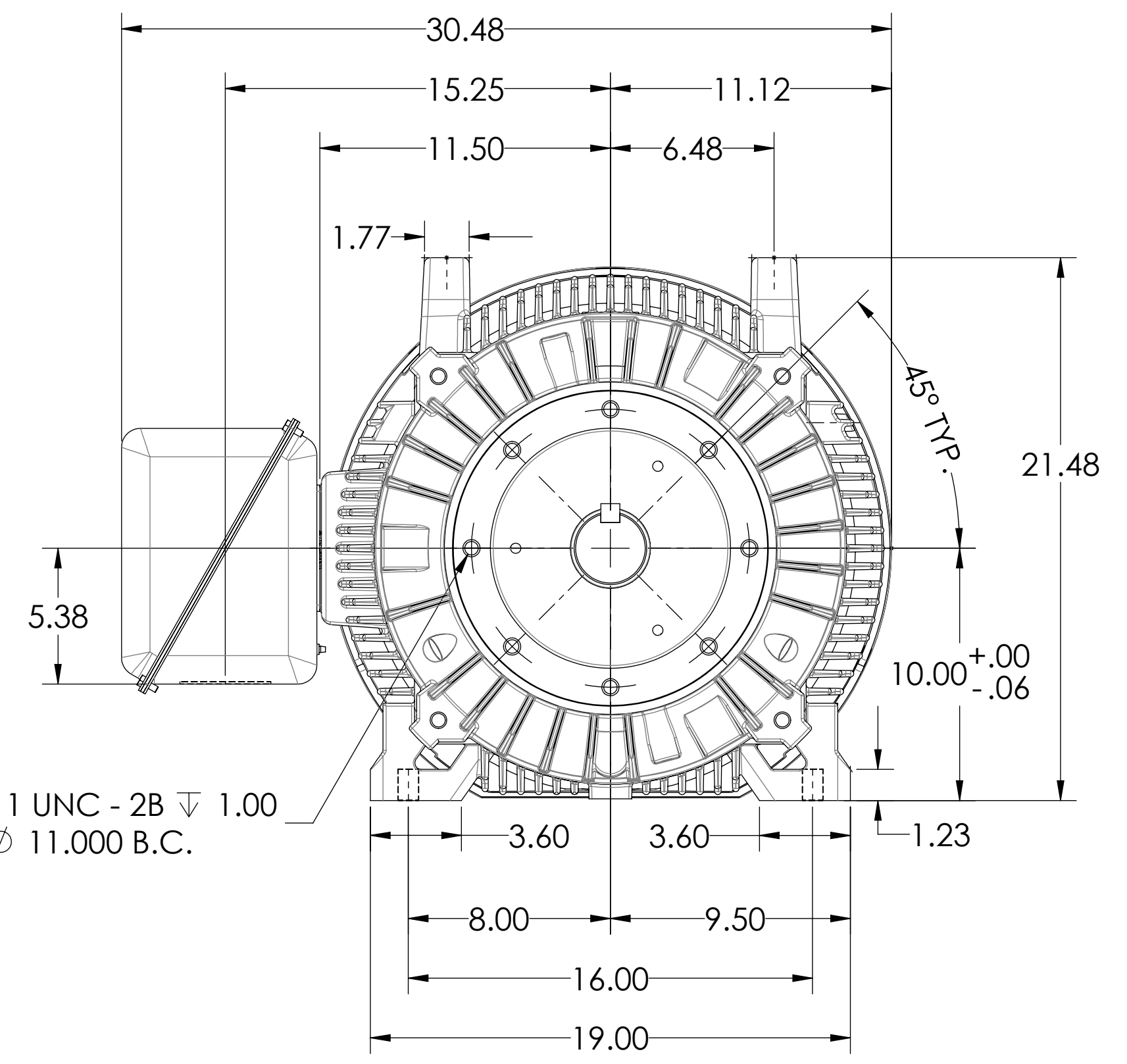
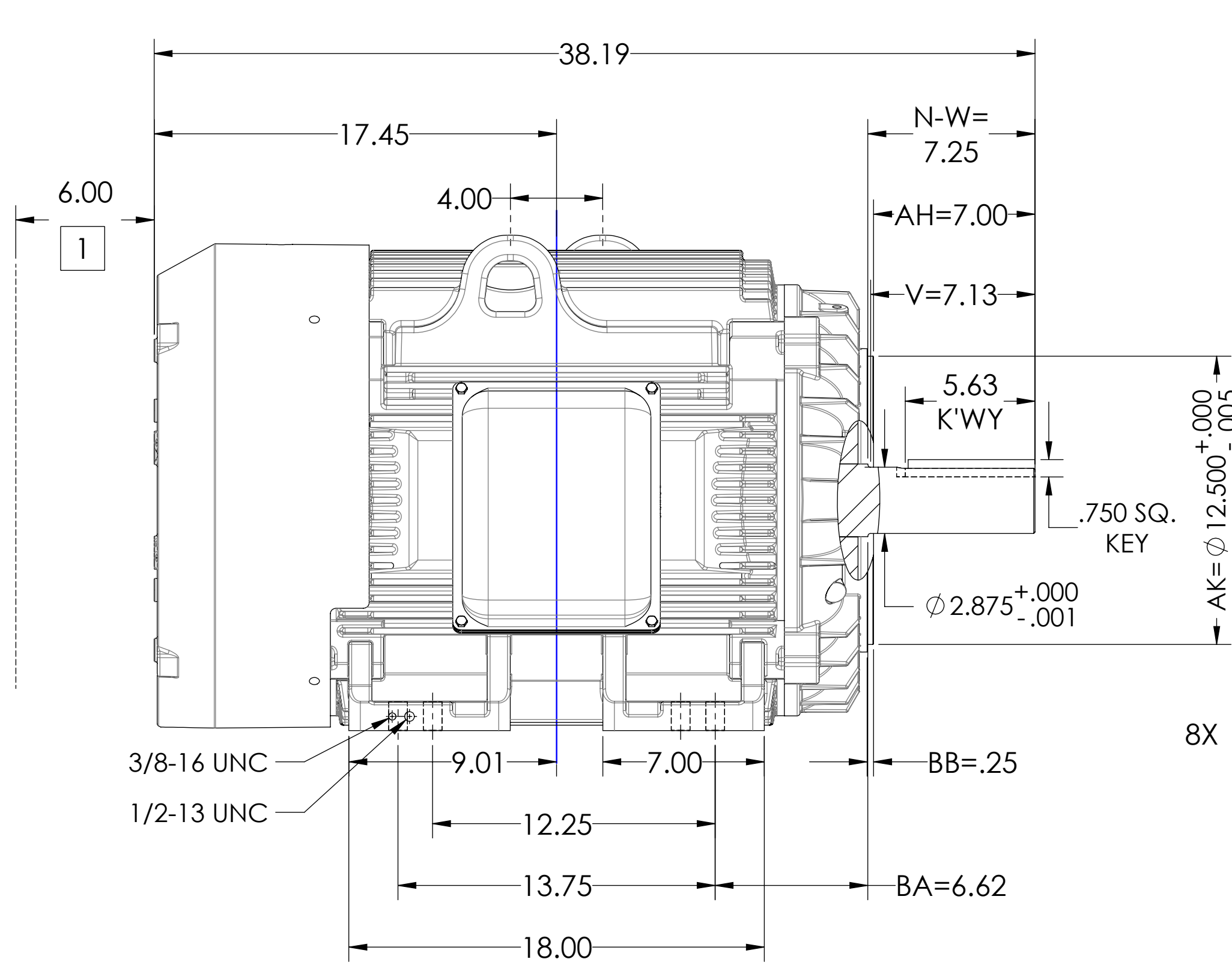
SQUIRREL-CAGE INDUCTION

ENCLOSURE: TOTALLY ENCLOSED

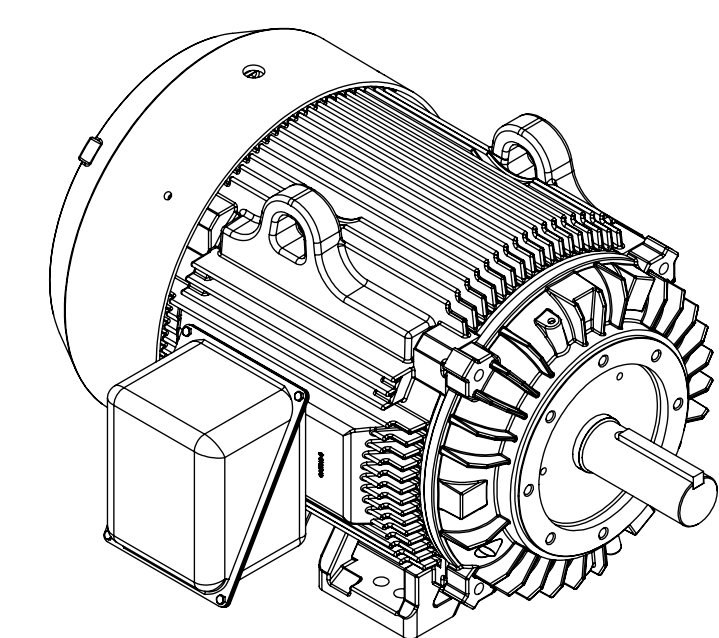
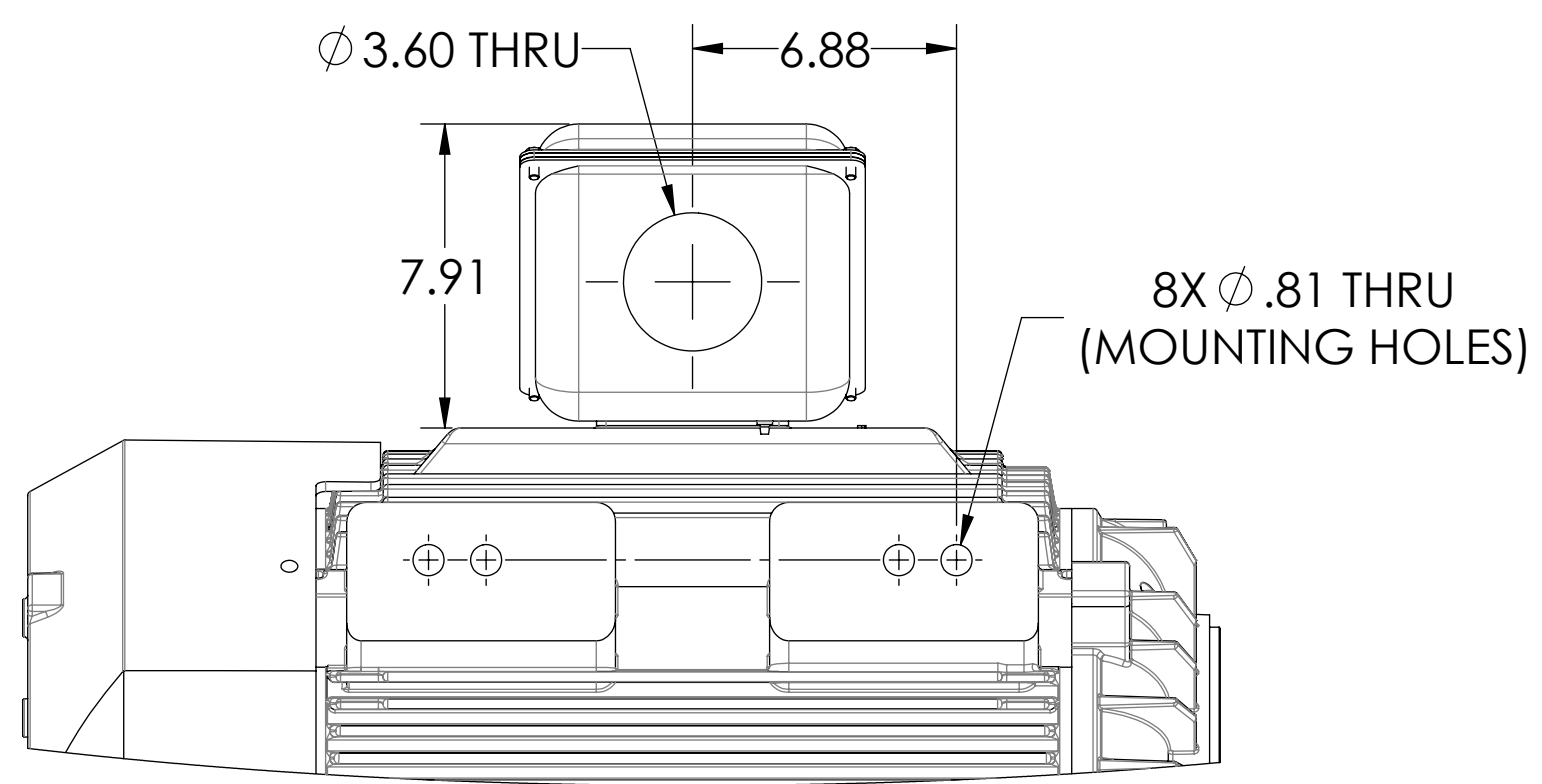
COOLING: FAN COOLED

MOUNTING: FOOT, F-1

G405TC/G404TC FRAME MOUNTING HOLES



8X  $\phi$  5/8-11 UNC - 2B  $\nabla$  1.00 ON  $\phi$  11.000 B.C.



1 OBSTRUCTION MUST NOT ENCROACH ON AIR INLET

MAX FACE RUNOUT AND FIT ECCENTRICITY = 0.007 T.I.R.  
IF MOUNTING CLEARANCE DETAILS ARE REQUIRED, CONSULT FACTORY.  
MAXIMUM PERMISSIBLE SHAFT RUNOUT WHEN MEASURED AT END OF STANDARD SHAFT EXTENSION IS .003" T.I.R.

DIMENSIONS ARE IN INCHES.  
WEIGHT (LBS): 1350, MOTOR WEIGHTS MAY VARY BY 15% DEPENDING ON RATING.  
CUSTOMER IS RESPONSIBLE FOR DETERMINING THAT MOTOR PERFORMANCE IS SUITABLE IN THE APPLICATION.

REV. DESC: NEW DRAWING	VERSION: 00	REVISED: 08:41:59 06/13/2016	TDR: 000000981952
MODEL NO. 617429-739	BY: USJEDIL	Material:	REF:

## BALDOR

G405TC/404TC TEFC F1 FOOTED SIDE/CENTER STEEL C/BOX